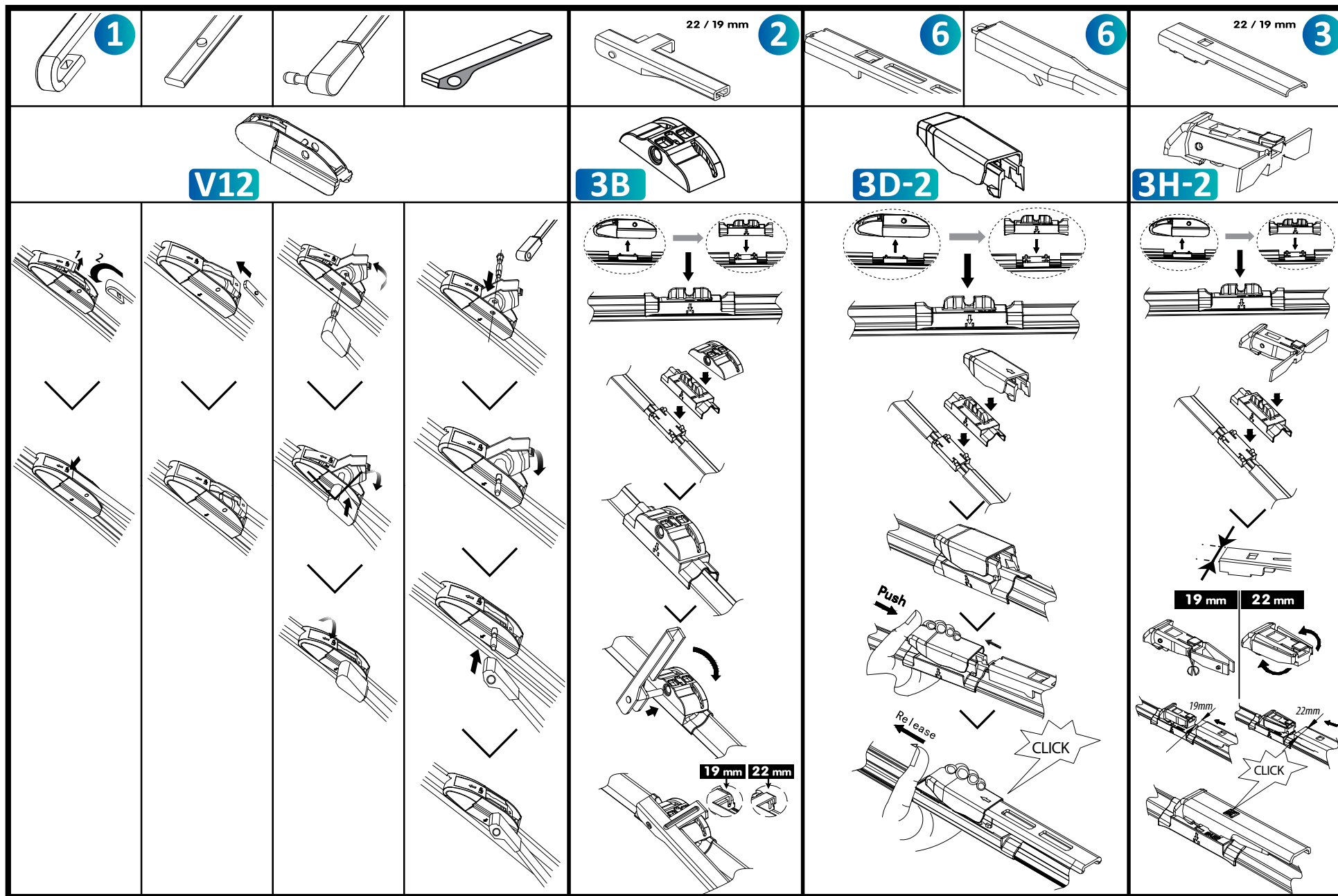


# SPECYFIKACJA UCHWYTÓW I ADAPTERÓW



# DOPASOWANIE PIÓR - WYKAZ



MARKA	MODEL	MIESIĄC	ROK	→	MIESIĄC	ROK	RAMIE WYCIERACZKI	ADAPTER	KIEROWCA	PASAŻER	ROZMIAR
ABARTH (FIAT)	124 Spider [348]	09	16	→			1	V12	450 mm	480 mm	
ABARTH (FIAT)	500 [312..]	08	08	→			3	3H-2	600 mm	330 mm	19 mm
ABARTH (FIAT)	500C [312..]	09	09	→			3	3H-2	600 mm	330 mm	19 mm
ABARTH (FIAT)	Punto [199..]	05	08	→			6	3D-2	650 mm	380 mm	
ABARTH (FIAT)	Punto Evo [199..]	06	10	→	12	12	6	3D-2	650 mm	380 mm	
ABARTH (FIAT)	Punto Grande [199..]	12	07	→	12	12	6	3D-2	650 mm	380 mm	
AIXAM	A751	07	05	→	03	10	1	V12	550 mm		
AIXAM	Charly	03	07	→			1	V12	550 mm		
AIXAM	Mega eCity	03	07	→			1	V12	550 mm		
AIXAM	Scouty	08	07	→	07	12	1	V12	550 mm		
AIXAM	City	01	12	→			1	V12	600 mm		
AIXAM	Coupe	01	12	→			1	V12	600 mm		
AIXAM	Crossover	01	07	→			1	V12	600 mm		
ALFA ROMEO	Brera [939]	01	06	→	12	10	2	3B	550 mm	450 mm	
ALFA ROMEO	Giulietta [940]	04	10	→			3	3H-2	550 mm	450 mm	19 mm
ALFA ROMEO	Giulia [952]	02	16	→			3	3H-2	600 mm	450 mm	16 mm
ALFA ROMEO	GT [937]	10	03	→	06	05	1	V12	550 mm	400 mm	
ALFA ROMEO		04	05	→	12	10	2	3B	550 mm	400 mm	
ALFA ROMEO	Mito [955]	05	08	→	12	18	6	3D-2	650 mm	380 mm	
ALFA ROMEO	Spider [939]	03	06	→	12	10	2	3B	550 mm	450 mm	
ALFA ROMEO	Stelvio	11	16	→			3	3H-2	650 mm	450 mm	16 mm
ALFA ROMEO	145 [930]	04	97	→	12	00	1	V12	550 mm	480 mm	
ALFA ROMEO	147 [937]	11	00	→	06	05	1	V12	550 mm	400 mm	
ALFA ROMEO		04	05	→	12	10	2	3B	550 mm	400 mm	
ALFA ROMEO	155 [167]	02	92	→	04	96	1	V12	530 mm	480 mm	
ALFA ROMEO	156 Berlina [932]	10	97	→	12	05	1	V12	550 mm	500 mm	

MARKA	MODEL	MIESIĄC	ROK	→	MIESIĄC	ROK	RAMIE WYCIERACZKI	ADAPTOR	KIEROWCA	PASAŻER	ROZMIAR
ALFA ROMEO	156 Sport Wagon [932]	06	00	→	12	05	1	V12	550 mm	500 mm	
ALFA ROMEO	159 Berlina [939]	06	05	→	12	11	2	3B	550 mm	450 mm	
ALFA ROMEO	159 Sport Wagon [939]	03	06	→	12	11	2	3B	550 mm	450 mm	
ALFA ROMEO	164 [164]	06	87	→	12	98	1	V12	530 mm	530 mm	
ALFA ROMEO	166 [936]	07	98	→	10	07	1	V12	530 mm	480 mm	
ALPINA	B3 [E46]	03	99	→	01	06	1	V12	600 mm	480 mm	
ALPINA	B3/D3 [E90]	12	05	→	08	09	2	3B	600 mm	480 mm	19 mm
ALPINA		09	09	→	05	13	6	3D-2	600 mm	480 mm	
ALPINA	B3/D3 Touring [E91]	05	06	→	08	09	2	3B	600 mm	480 mm	19 mm
ALPINA		09	09	→	05	13	6	3D-2	600 mm	480 mm	
ALPINA	B3/D3 [E92,E93]	01	08	→	08	09	2	3B	600 mm	400 mm	19 mm
ALPINA		09	09	→	05	13	6	3D-2	600 mm	430 mm	
ALPINA	B3 [F30]	03	13	→			6	3D-2	600 mm	480 mm	
ALPINA	B3 Touring [F31]	03	13	→			6	3D-2	600 mm	480 mm	
ALPINA	B5 [E60]	03	05	→	05	10	6	3D-2	600 mm	550 mm	
ALPINA	B5 Touring [E61]	03	05	→	05	10	6	3D-2	600 mm	550 mm	
ALPINA	B5/D5 [F10]	09	10	→			2	3B	650 mm	450 mm	19 mm
ALPINA	B5/D5 Touring [F11]	03	11	→			2	3B	650 mm	450 mm	19 mm
ALPINA	B6 [E63,E64]	04	06	→	08	10	6	3D-2	600 mm	550 mm	
ALPINA	B6 [F12,F13]	09	11	→			2	3B	650 mm	430 mm	19 mm
ALPINA	B7 [F01,F02]	06	09	→			2	3B	650 mm	480 mm	19 mm
ALPINA	XD3 [F25]	07	13	→			2	3B	650 mm	500 mm	
ASTON MARTIN	Cygnat	04	11	→	10	13	1	V12	530 mm	450 mm	
ASTON MARTIN	DB9, Volante	07	11	→			3	3H-2	650 mm	500 mm	19 mm
ASTON MARTIN	DBS Vantage, Volante	07	11	→	12	12	3	3H-2	650 mm	500 mm	19 mm
ASTON MARTIN	Rapide	07	11	→			3	3H-2	650 mm	500 mm	19 mm
ASTON MARTIN	V8/V12	07	11	→			3	3H-2	650 mm	500 mm	19 mm
ASTON MARTIN	Virage Coupe, Volante	07	11	→	12	12	3	3H-2	650 mm	500 mm	19 mm
AUDI	80 [8C2;B4]	09	91	→	05	95	1	V12	530 mm	500 mm	
AUDI	80 Avant [8C5;B4]	03	92	→	07	95	1	V12	530 mm	500 mm	

MARKA	MODEL	MIESIĄC	ROK	→	MIESIĄC	ROK	RAMIE WYCIERACZKI	ADAPTOR	KIEROWCA	PASAŻER	ROZMIAR
AUDI	A1 [8X1]	05	10	→			3	3H-2	600 mm	380 mm	16 mm
AUDI	A1 Sportback [8XA]	09	11	→			3	3H-2	600 mm	380 mm	16 mm
AUDI	A1 Sportback [GBA]	07	18	→			3	3H-2	650 mm	450 mm	16 mm
AUDI	A2 [8Z0]	07	01	→	08	05	2	3B	760 mm		
AUDI	A3 [8L1]	09	96	→	06	03	1	V12	530 mm	480 mm	
AUDI	A3 [8P1]	05	03	→	11	04	2	3B	600 mm	480 mm	
AUDI	A3 [8P1]	12	04	→	03	13	6	3D-2	600 mm	480 mm	
AUDI	A3 [8V1]	04	12	→			3	3H-2	650 mm	450 mm	16 mm
AUDI	A3 Cabriolet [8P7]	04	08	→	05	13	6	3D-2	600 mm	450 mm	
AUDI	A3 Cabriolet [8V7]	10	13	→			3	3H-2	650 mm	450 mm	16 mm
AUDI	A3 Limousine [8VS]	05	13	→			3	3H-2	650 mm	480 mm	16 mm
AUDI	A3 Sportback [8PA]	09	04	→	11	04	2	3B	600 mm	480 mm	
AUDI		12	04	→	03	13	6	3D-2	600 mm	480 mm	
AUDI	A3 Sportback [8VA]	09	12	→			3	3H-2	650 mm	450 mm	16 mm
AUDI	A4 [8D2;B5]	11	94	→	09	01	1	V12	530 mm	530 mm	
AUDI	A4 [8E2;B6]	10	00	→	03	01	1	V12	530 mm	530 mm	
AUDI	A4 [8K2;B8]	11	07	→	12	15	3	3H-2	600 mm	500 mm	16 mm
AUDI	A4 [8W2;B9]	05	15	→			3	3H-2	600 mm	500 mm	16 mm
AUDI	A4 Avant [8D5;B5]	11	94	→	09	01	1	V12	530 mm	530 mm	
AUDI	A4 Avant [8K5;B8]	11	07	→	12	15	3	3H-2	600 mm	500 mm	16 mm
AUDI	A4 Avant [8W5;B9]	05	15	→			3	3H-2	600 mm	500 mm	16 mm
AUDI	A4 Allroad [8KH]	04	09	→	04	16	3	3H-2	600 mm	500 mm	16 mm
AUDI	A4 Allroad [8WH]	01	16	→			3	3H-2	600 mm	500 mm	16 mm
AUDI	A5 Cabriolet [8F7]	03	09	→	01	17	3	3H-2	600 mm	530 mm	16 mm
AUDI	A5 Cabriolet [F57]	09	16	→			3	3H-2	600 mm	530 mm	16 mm
AUDI	A5 Coupé [8T3]	06	07	→	10	07	3	3H-2	600 mm	500 mm	19 mm
AUDI		11	07	→	01	17	3	3H-2	600 mm	500 mm	16 mm
AUDI	A5 Coupé [F53]	06	16	→			3	3H-2	600 mm	500 mm	16 mm
AUDI	A5 Sportback [8TA]	05	09	→	01	17	3	3H-2	600 mm	500 mm	16 mm
AUDI	A5 Sportback [F5A]	06	16	→			3	3H-2	600 mm	500 mm	16 mm

MARKA	MODEL	MIESIĄC	ROK	→	MIESIĄC	ROK	RAMIE WYCIERACZKI	ADAPTOR	KIEROWCA	PASAŻER	ROZMIAR
AUDI	A6 [4A2;C4]	06	94	→	10	97	1	V12	550 mm	530 mm	
AUDI	A6 [4B2;C5]	04	97	→	05	01	1	V12	550 mm	500 mm	
AUDI	A6 [4G2;C7]	11	10	→			3	3H-2	650 mm	530 mm	16 mm
AUDI	A6 [4A2;C8]	04	18	→			3	3H-2	600 mm	500 mm	16 mm
AUDI	A6 Avant [4A5;C4]	06	94	→	10	97	1	V12	550 mm	530 mm	
AUDI	A6 Avant [4B5;C5]	04	97	→	05	01	1	V12	550 mm	500 mm	
AUDI	A6 Avant [4G5;C7]	05	11	→			3	3H-2	650 mm	530 mm	16 mm
AUDI	A6 Avant [4A5;C8]	02	18	→			3	3H-2	600 mm	500 mm	16 mm
AUDI	A6 Avant Allroad [4BH;C5]	05	00	→	12	00	1	V12	550 mm	530 mm	
AUDI	A6 Avant Allroad [4GH;C7]	01	12	→			3	3H-2	650 mm	530 mm	16 mm
AUDI	A7 Sportback [4GA]	07	10	→	05	18	3	3H-2	650 mm	530 mm	16 mm
AUDI	A7 Sportback [4KA;C8]	10	17	→			3	3H-2	600 mm	500 mm	16 mm
AUDI	A8 [4D2;D2]	06	94	→	09	02	1	V12	550 mm	500 mm	
AUDI	A8 [4H;D4]	11	09	→			3	3H-2	700 mm	500 mm	16 mm
AUDI	A8 [4N2;4N8]	08	17	→			3	3H-2	650 mm	500 mm	16 mm
AUDI	Cabriolet [8G7;B4]	06	91	→	08	00	1	V12	550 mm	530 mm	
AUDI	Coupé [89;B3]	11	88	→	12	95	1	V12	550 mm	530 mm	
AUDI	e-tron [GEN]	09	18	→			3	3H-2	650 mm	500 mm	16 mm
AUDI	Q2 [GAB]	06	16	→			3	3H-2	600 mm	480 mm	16 mm
AUDI	Q3 [8UB]	06	11	→			3	3H-2	600 mm	530 mm	16 mm
AUDI	Q3 [F3B]	07	18	→			3	3H-2	600 mm	500 mm	16 mm
AUDI	Q5 [8RB]	11	08	→	08	17	3	3H-2	600 mm	500 mm	16 mm
AUDI	Q5 [FYB]	05	16	→			3	3H-2	600 mm	500 mm	16 mm
AUDI	Q7 [4LB]	03	06	→	08	15	6	3D-2	650 mm	600 mm	
AUDI	Q7 [4MB]	01	15	→			3	3H-2	700 mm	500 mm	16 mm
AUDI	Q8 [4MN]	09	18	→			3	3H-2	650 mm	500 mm	16 mm
AUDI	RS3 Sportback [8PA]	01	11	→	12	12	6	3D-2	600 mm	480 mm	
AUDI	RS3 [8VA]	02	15	→			3	3H-2	650 mm	450 mm	16 mm
AUDI	RS3 Limousine [8VS]	02	17	→			3	3H-2	650 mm	480 mm	16 mm
AUDI	RS4 Avant [8D5;B5]	05	00	→	09	01	1	V12	530 mm	530 mm	

MARKA	MODEL	MIESIĄC	ROK	→	MIESIĄC	ROK	RAMIE WYCIERACZKI	ADAPTOR	KIEROWCA	PASAŻER	ROZMIAR
AUDI	RS4 Avant [8K5;B8]	05	12	→	08	15	3	3H-2	600 mm	500 mm	16 mm
AUDI	RS4 Avant [8W5;B9]	09	17	→			3	3H-2	600 mm	500 mm	16 mm
AUDI	RS5 Cabriolet [8F7]	11	12	→	08	15	3	3H-2	600 mm	530 mm	16 mm
AUDI	RS5 Coupé [8T3]	03	10	→	08	15	3	3H-2	600 mm	500 mm	16 mm
AUDI	RS5 Coupé [F53]	03	17	→			3	3H-2	600 mm	500 mm	16 mm
AUDI	RS5 Sportback [F5A]	06	18	→			3	3H-2	600 mm	500 mm	16 mm
AUDI	RS6 [4B4]	07	02	→	04	04	1	V12	550 mm	530 mm	
AUDI	RS6 Avant [4B6]	05	02	→	09	04	1	V12	550 mm	530 mm	
AUDI	RS6 Avant [4GH;C7]	01	13	→			3	3H-2	650 mm	530 mm	16 mm
AUDI	RS7 Sportback [4GA]	05	13	→	04	18	3	3H-2	650 mm	530 mm	16 mm
AUDI	RS Q3 [8UB]	10	13	→			3	3H-2	600 mm	530 mm	16 mm
AUDI	S1 [8X]	01	14	→			3	3H-2	600 mm	380 mm	16 mm
AUDI	S1 Sportback [8X]	01	14	→			3	3H-2	600 mm	380 mm	16 mm
AUDI	S3 [8L1]	08	98	→	06	03	1	V12	530 mm	480 mm	
AUDI	S3 [8P1]	11	06	→	03	13	6	3D-2	600 mm	480 mm	
AUDI	S3 [8V1]	11	12	→			3	3H-2	650 mm	450 mm	16 mm
AUDI	S3 Cabriolet [8V7]	05	14	→			3	3H-2	650 mm	450 mm	16 mm
AUDI	S3 Limousine [8VS]	10	13	→			3	3H-2	650 mm	480 mm	16 mm
AUDI	S3 Sportback [8PA]	07	08	→	03	13	6	3D-2	600 mm	480 mm	
AUDI	S3 Sportback [8VA]	05	13	→			3	3H-2	650 mm	450 mm	16 mm
AUDI	S4 [8D2;B5]	10	97	→	09	01	1	V12	530 mm	530 mm	
AUDI	S4 [8K2;B8]	03	09	→	12	15	3	3H-2	600 mm	500 mm	16 mm
AUDI	S4 [8W2;B9]	05	16	→			3	3H-2	600 mm	500 mm	16 mm
AUDI	S4 Avant [8D5;B5]	10	97	→	09	01	1	V12	530 mm	530 mm	
AUDI	S4 Avant [8K5;B8]	03	09	→	12	15	3	3H-2	600 mm	500 mm	16 mm
AUDI	S4 Avant [8W5;B9]	05	16	→			3	3H-2	600 mm	500 mm	16 mm
AUDI	S5 Cabriolet [8F7]	05	09	→			3	3H-2	600 mm	530 mm	16 mm
AUDI	S5 Cabriolet [F57]	11	16	→			3	3H-2	600 mm	530 mm	16 mm
AUDI	S5 Coupé [8T3]	11	07	→	01	17	3	3H-2	600 mm	500 mm	16 mm
AUDI	S5 Coupé [F53]	07	16	→			3	3H-2	600 mm	500 mm	16 mm

MARKA	MODEL	MIESIĄC	ROK	→	MIESIĄC	ROK	RAMIE WYCIERACZKI	ADAPTOR	KIEROWCA	PASAŻER	ROZMIAR
AUDI	S5 Sportback [8TA]	01	10	→	01	17	3	3H-2	600 mm	500 mm	16 mm
AUDI	S5 Sportback [F5A]	07	16	→			3	3H-2	600 mm	500 mm	16 mm
AUDI	S6 [4A2;C4]	06	94	→	10	97	1	V12	550 mm	530 mm	
AUDI	S6 [4B;C5]	09	99	→	05	04	1	V12	550 mm	530 mm	
AUDI	S6 [4G2;C7]	04	12	→			3	3H-2	650 mm	530 mm	16 mm
AUDI	S6 Avant [4A5;C4]	06	94	→	10	97	1	V12	550 mm	530 mm	
AUDI	S6 Avant [4B;C5]	09	99	→	01	05	1	V12	550 mm	530 mm	
AUDI	S6 Avant [4GH;C7]	04	12	→			3	3H-2	650 mm	530 mm	16 mm
AUDI	S7 Sportback [4GA]	04	12	→			3	3H-2	650 mm	530 mm	16 mm
AUDI	S8 [4D2]	09	96	→	01	03	1	V12	550 mm	500 mm	
AUDI	S8 [4H;D4]	04	12	→			3	3H-2	700 mm	500 mm	16 mm
AUDI	SQ5 [8RB]	12	12	→			3	3H-2	600 mm	500 mm	16 mm
AUDI	SQ5 [FYB]	11	16	→			3	3H-2	600 mm	500 mm	16 mm
AUDI	SQ7 [4MB]	04	16	→			3	3H-2	700 mm	500 mm	16 mm
AUDI	TT Coupé [8N3]	07	98	→	04	03	1	V12	550 mm	530 mm	
AUDI		05	03	→	06	06	2	3B	530 mm	530 mm	
AUDI	TT Coupé [8J3]	07	06	→	08	15	6	3D-2	550 mm	530 mm	
AUDI	TT Coupé [FV3]	07	14	→			3	3H-2	600 mm	530 mm	16 mm
AUDI	TT Roadster [8N9]	03	99	→	04	03	1	V12	550 mm	530 mm	
AUDI		05	03	→	06	06	2	3B	530 mm	530 mm	
AUDI	TT Roadster [8J9]	02	07	→	06	14	6	3D-2	550 mm	530 mm	
AUDI	TT Roadster [FV3]	11	14	→			3	3H-2	600 mm	530 mm	16 mm
AUDI	TT RS Coupé [8J3]	07	09	→	06	14	6	3D-2	550 mm	530 mm	
AUDI	TT RS Coupé [FV3]	05	16	→			3	3H-2	600 mm	530 mm	16 mm
AUDI	TT RS Roadster [8J9]	07	09	→	06	14	6	3D-2	550 mm	530 mm	
AUDI	TT RS Roadster [FV9]	05	16	→			3	3H-2	600 mm	530 mm	16 mm
AUDI	TTS Coupé [8J3]	05	08	→	08	15	6	3D-2	550 mm	530 mm	
AUDI	TTS Coupé [FV3]	11	14	→			3	3H-2	600 mm	530 mm	16 mm
AUDI	TTS Roadster [8J9]	05	08	→	06	14	6	3D-2	550 mm	530 mm	
AUDI	TTS Roadster [FV]	02	15	→			3	3H-2	600 mm	530 mm	16 mm

MARKA	MODEL	MIESIĄC	ROK	→	MIESIĄC	ROK	RAMIE WYCIERACZKI	ADAPTOR	KIEROWCA	PASAŻER	ROZMIAR
BENTLEY	Bentayga	11	15	→			3	3H-2	700 mm	500 mm	16 mm
BENTLEY	Mulsanne	10	14	→			3	3H-2	600 mm	530 mm	16 mm
BMW	i3 [I01]	11	13	→			2	3B	760 mm	530 mm	
BMW	i8 [I12]	06	14	→			2	3B	760 mm	600 mm	
BMW	M3 [F80]	06	14	→			6	3D-2	600 mm	480 mm	
BMW	M4 [F82]	06	14	→			6	3D-2	600 mm	450 mm	
BMW	Serie 1 [E81;E87]	09	04	→	12	11	6	3D-2	500 mm	500 mm	
BMW	Serie 1 [F20;F21]	09	11	→			6	3D-2	550 mm	450 mm	
BMW	Serie 1 Cabrio [E88]	03	08	→	10	13	6	3D-2	500 mm	500 mm	
BMW	Serie 1 Coupé [E82]	10	07	→	10	13	6	3D-2	500 mm	500 mm	
BMW	Serie 2 Cabrio [F23]	09	14	→			6	3D-2	550 mm	450 mm	
BMW	Serie 2 Active Tourer [F45]	09	14	→			3	3H-2	650 mm	480 mm	19 mm
BMW	Serie 2 Coupé [F22]	09	13	→			6	3D-2	550 mm	450 mm	
BMW	Serie 2 Gran Tourer [F46]	06	15	→			3	3H-2	650 mm	480 mm	19 mm
BMW	Serie 3 [E36]	09	90	→	12	98	1	V12	530 mm	500 mm	
BMW	Serie 3 [E46]	04	98	→	04	05	1	V12	600 mm	480 mm	
BMW		04	98	→	04	05	1	V12	550 mm	480 mm	
BMW	Serie 3 [E90]	03	05	→	08	09	2	3B	600 mm	480 mm	19 mm
BMW	Serie 3 [E90]	09	09	→	08	13	6	3D-2	600 mm	480 mm	
BMW	Serie 3 [F30]	02	12	→			6	3D-2	600 mm	480 mm	
BMW	Serie 3 Cabrio [E36]	03	93	→	12	99	1	V12	530 mm	500 mm	
BMW	Serie 3 Cabrio [E46]	03	00	→	08	06	1	V12	600 mm	480 mm	
BMW	Serie 3 Cabrio [E46]	03	00	→	08	06	1	V12	550 mm	480 mm	
BMW	Serie 3 Cabrio [E93]	09	06	→	08	09	2	3B	600 mm	400 mm	19 mm
BMW	Serie 3 Cabrio [E93]	09	09	→	10	13	6	3D-2	600 mm	430 mm	
BMW	Serie 3 Compact [E36]	03	94	→	09	00	1	V12	500 mm	500 mm	
BMW	Serie 3 Compact [E46]	06	01	→	12	04	1	V12	600 mm	480 mm	
BMW	Serie 3 Coupé [E36]	03	91	→	12	99	1	V12	530 mm	500 mm	
BMW	Serie 3 Coupé [E46]	04	98	→	05	06	1	V12	600 mm	480 mm	
BMW	Serie 3 Coupé [E92]	09	06	→	08	09	2	3B	600 mm	400 mm	19 mm



MARKA	MODEL	MIESIĄC	ROK	→	MIESIĄC	ROK	RAMIE WYCIERACZKI	ADAPTOR	KIEROWCA	PASAŻER	ROZMIAR
BMW	Serie 3 Coupé [E92]	09	09	→	08	13	6	3D-2	600 mm	400 mm	
BMW	Serie 3 GT [F34]	06	13	→			6	3D-2	600 mm	480 mm	
BMW	Serie 3 Touring [E36]	03	95	→	12	99	1	V12	530 mm	500 mm	
BMW	Serie 3 Touring [E46]	10	98	→	09	05	1	V12	600 mm	480 mm	
BMW	Serie 3 Touring [E91]	09	05	→	08	09	2	3B	600 mm	480 mm	19 mm
BMW	Serie 3 Touring [E91]	09	09	→	05	13	6	3D-2	600 mm	480 mm	
BMW	Serie 3 Touring [F31]	09	12	→			6	3D-2	600 mm	480 mm	
BMW	Serie 4 Cabrio [F33]	03	14	→			6	3D-2	600 mm	450 mm	
BMW	Serie 4 Coupé [F32]	09	13	→			6	3D-2	600 mm	450 mm	
BMW	Serie 4 GC [F36]	05	14	→			6	3D-2	600 mm	450 mm	
BMW	Serie 5 [E34]	01	88	→	12	95	1	V12	600 mm	600 mm	
BMW	Serie 5 [E60]	07	03	→	02	10	6	3D-2	600 mm	550 mm	
BMW	Serie 5 [F10]	03	10	→	10	16	2	3B	650 mm	450 mm	19 mm
BMW	Serie 5 [G30]	02	17	→			3	3H-2	650 mm	480 mm	19 mm
BMW	Serie 5 GT [F07]	09	09	→			2	3B	650 mm	450 mm	19 mm
BMW	Serie 5 Touring [E34]	11	91	→	12	96	1	V12	600 mm	600 mm	
BMW	Serie 5 Touring [E61]	05	04	→	08	10	6	3D-2	600 mm	550 mm	
BMW	Serie 5 Touring [F11]	09	10	→			2	3B	650 mm	450 mm	19 mm
BMW	Serie 5 Touring [G31]	06	17	→			3	3H-2	650 mm	480 mm	19 mm
BMW	Serie 6 [E63]	01	04	→	07	10	6	3D-2	600 mm	550 mm	
BMW	Serie 6 Cabrio [E64]	04	04	→	07	10	6	3D-2	600 mm	550 mm	
BMW	Serie 6 [F13]	10	11	→			2	3B	650 mm	430 mm	19 mm
BMW	Serie 6 Cabrio [F12]	03	11	→			2	3B	650 mm	430 mm	19 mm
BMW	Serie 6 GC [F06]	05	12	→			2	3B	650 mm	430 mm	19 mm
BMW	Serie 6 Gran Turismo [G32]	10	17	→			3	3H-2	650 mm	450 mm	19 mm
BMW	Serie 7 [E38]	06	94	→	12	01	1	V12	600 mm	600 mm	
BMW	Serie 7 [F01;F02;F04]	11	08	→			2	3B	650 mm	450 mm	19 mm
BMW	Serie 7 [G11; G12]	09	15	→			3	3H-2	650 mm	480 mm	19 mm
BMW	X1 [E84]	10	09	→	06	15	6	3D-2	600 mm	480 mm	
BMW	[F48]	10	15	→			3	3H-2	650 mm	400 mm	16 mm

MARKA	MODEL	MIESIĄC	ROK	→	MIESIĄC	ROK	RAMIE WYCIERACZKI	ADAPTOR	KIEROWCA	PASAŻER	ROZMIAR
BMW	X3 [E83]	01	04	→	08	10	1	V12	550 mm	500 mm	
BMW	X3 [F25]	10	10	→	08	17	2	3B	650 mm	500 mm	
BMW	X4 [F26]	06	14	→			2	3B	650 mm	500 mm	
BMW	X5 [E53]	03	99	→	06	02	1	V12	600 mm	530 mm	
BMW		07	02	→	10	06	1	V12	600 mm	530 mm	
BMW	X5 [E70]	11	06	→	09	11	2	3B	600 mm	500 mm	
BMW		10	11	→	06	13	3	3H-2	600 mm	500 mm	19 mm
BMW	X5 [F15;F85]	11	13	→			1	V12	600 mm	500 mm	
BMW	X5 [G 05]	10	18	→			3	3H-2	650 mm	500 mm	19 mm
BMW	X6 [E71;E72]	03	08	→	09	11	2	3B	600 mm	500 mm	
BMW	X6 [E71]	10	11	→	06	14	3	3H-2	600 mm	500 mm	19 mm
BMW	X6 [F16;F86]	11	14	→			1	V12	600 mm	500 mm	
BMW	X7 [G 07]	03	19	→			3	3H-2	650 mm	500 mm	19 mm
BMW	Z3 [E36/7]	03	95	→	09	02	1	V12	480 mm	480 mm	
BMW	Z3 Coupé [E36/8]	09	97	→	06	02	1	V12	480 mm	480 mm	
BMW	Z4 [E85]	10	02	→	07	07	1	V12	530 mm	500 mm	
BMW	Z4 [E89]	04	09	→	08	16	1	V12	530 mm	530 mm	
BMW	Z4 Coupé [E86]	03	06	→	07	07	1	V12	530 mm	530 mm	
CADILLAC	ATS	09	12	→			1	V12	550 mm	450 mm	
CADILLAC	BLS	10	05	→	01	08	1	V12	550 mm	550 mm	
CADILLAC		02	08	→	08	10	6	3D-2	600 mm	550 mm	
CADILLAC	BLS Wagon	10	07	→	08	10	6	3D-2	600 mm	550 mm	
CADILLAC	CTS	09	02	→	09	07	1	V12	550 mm	530 mm	
CADILLAC		09	07	→	08	10	1	V12	550 mm	480 mm	
CADILLAC	Escalade	09	01	→	08	06	1	V12	550 mm	530 mm	
CADILLAC		09	06	→	08	08	6	3D-2	550 mm	550 mm	
CADILLAC		09	09	→	08	13	1	V12	550 mm	530 mm	
CADILLAC	SRX	09	03	→	08	09	1	V12	550 mm	530 mm	
CADILLAC		09	09	→			3	3H-2	650 mm	400 mm	19 mm
CADILLAC	STS	09	04	→	08	10	6	3D-2	550 mm	530 mm	

MARKA	MODEL	MIESIĄC	ROK	→	MIESIĄC	ROK	RAMIE WYCIERACZKI	ADAPTOR	KIEROWCA	PASAŻER	ROZMIAR
CADILLAC	STS-V	09	05	→	08	09	6	3D-2	550 mm	530 mm	
CADILLAC	XLR		04	→		09	1	V12	500 mm	500 mm	
CADILLAC	XT4		19	→		20	1	V12	600 mm	500 mm	
CADILLAC	XT5	09	16	→			1	V12	600 mm	500 mm	
CADILLAC	XT6		20	→			1	V12	600 mm	500 mm	
CADILLAC	XTS		13	→		19	1	V12	650 mm	450 mm	
CHEVROLET	Avalanche	09	01	→	08	06	1	V12	550 mm	530 mm	
CHEVROLET	Aveo [KL1S,T250/T255]	02	06	→	12	11	1	V12	550 mm	400 mm	
CHEVROLET	Aveo [KL1T,T300]	06	11	→	12	17	6	3D-2	650 mm	380 mm	
CHEVROLET	Aveo Hatchback [KL1S,T250/T255]	02	06	→	12	11	1	V12	550 mm	400 mm	
CHEVROLET	Aveo Hatchback [KL1T,T300]	06	11	→	12	17	6	3D-2	650 mm	380 mm	
CHEVROLET	Camaro Convertible	02	13	→			1	V12	600 mm	530 mm	
CHEVROLET	Camaro Coupe	09	09	→			1	V12	600 mm	530 mm	
CHEVROLET	Captiva [KL1C,C100]	10	06	→	02	11	1	V12	600 mm	400 mm	
CHEVROLET	Captiva [KL1C,C140]	04	11	→			1	V12	600 mm	400 mm	
CHEVROLET	Cobalt	01	13	→			1	V12	650 mm	400 mm	
CHEVROLET	Corsa Utility	03	10	→			1	V12	500 mm	450 mm	
CHEVROLET	Corvette Coupé	01	97	→	08	03	1	V12	550 mm	550 mm	
CHEVROLET	Corvette		05	→		13	1	V12	530 mm	530 mm	
CHEVROLET	Corvette		14	→		19	1	V12	550 mm	500 mm	
CHEVROLET	Cruze [KL1J,J300]	05	09	→			1	V12	600 mm	450 mm	
CHEVROLET	Cruze Hatchback [KL1J,J305]	07	11	→			1	V12	600 mm	450 mm	
CHEVROLET	Cruze Station Wagon [KL1J,J308]	07	12	→			1	V12	600 mm	450 mm	
CHEVROLET	Epica [V250]	06	06	→	12	11	1	V12	550 mm	500 mm	
CHEVROLET	Equinox	09	12	→	08	17	6	3D-2	600 mm	430 mm	
CHEVROLET	Evanda [KL1L,V200]	02	03	→	09	06	1	V12	550 mm	500 mm	
CHEVROLET	HHR	02	08	→	05	09	1	V12	450 mm	450 mm	
CHEVROLET	Impala	09	99	→	08	10	1	V12	550 mm	550 mm	
CHEVROLET		09	10	→	08	13	1	V12	550 mm	530 mm	
CHEVROLET		09	13	→	01	19	1	V12	600 mm	450 mm	

MARKA	MODEL	MIESIĄC	ROK	→	MIESIĄC	ROK	RAMIE WYCIERACZKI	ADAPTOR	KIEROWCA	PASAŻER	ROZMIAR
CHEVROLET	Kalos [KL1S,T200]	02	05	→	08	06	1	V12	550 mm	400 mm	
CHEVROLET	Kalos Hatchback [KL1S,T200]	02	05	→	04	08	1	V12	550 mm	400 mm	
CHEVROLET	Lacetti [KL1N,J200]	02	05	→	04	13	1	V12	550 mm	480 mm	
CHEVROLET	Lanos	01	04	→			1	V12	480 mm	480 mm	
CHEVROLET	Malibu [KL1G,V300]	03	12	→	12	15	1	V12	600 mm	480 mm	
CHEVROLET	Matiz [KL1K,M200]	02	05	→	12	10	1	V12	550 mm	350 mm	
CHEVROLET	Niva	09	02	→			1	V12	500 mm	500 mm	
CHEVROLET	Nubira [KL1N,J200]	02	05	→	04	13	1	V12	550 mm	480 mm	
CHEVROLET	Nubira Station Wagon [KL1N,J200]	02	05	→	04	13	1	V12	550 mm	480 mm	
CHEVROLET	Optra [J200]	09	02	→	12	14	1	V12	550 mm	480 mm	
CHEVROLET	Optra Hatchback [J200]	09	02	→	12	14	1	V12	550 mm	480 mm	
CHEVROLET	Orlando	10	10	→			1	V12	600 mm	480 mm	
CHEVROLET	Prizm	01	89	→	08	02	1	V12	500 mm	450 mm	
CHEVROLET	Rezzo [KL1U,U100]	02	05	→	05	09	1	V12	600 mm	450 mm	
CHEVROLET	Silverado 1500	09	06	→	08	07	1	V12	550 mm	530 mm	
CHEVROLET	Silverado 2500 HD	09	07	→	08	13	1	V12	550 mm	530 mm	
CHEVROLET	Sonic Hatchback [T300]	09	11	→	08	18	6	3D-2	650 mm	380 mm	
CHEVROLET	Spark [KL1K,M200]	02	05	→	12	10	1	V12	550 mm	350 mm	
CHEVROLET	Spark [M300]	12	09	→			1	V12	550 mm	380 mm	
CHEVROLET	Suburban 1500	09	00	→	08	02	1	V12	550 mm	530 mm	
CHEVROLET	Tahoe	09	99	→	12	06	1	V12	550 mm	530 mm	
CHEVROLET		09	06	→	08	08	6	3D-2	550 mm	550 mm	
CHEVROLET	TrailBlazer	09	01	→	08	09	1	V12	550 mm	530 mm	
CHEVROLET	Trans Sport	09	96	→			1	V12	600 mm	600 mm	
CHEVROLET	Traverse	09	08	→			6	3D-2	600 mm	530 mm	
CHEVROLET	Trax	11	12	→			3	3H-2	650 mm	330 mm	19 mm
CHEVROLET	Volt [1G1]	11	11	→	12	14	3	3H-2	650 mm	650 mm	19 mm
CHRYSLER	Crossfire [ZH]	09	03	→	08	08	1	V12	550 mm	500 mm	
CHRYSLER	Grand Voyager [RS]	09	07	→	11	09	1	V12	650 mm	500 mm	
CHRYSLER		12	09	→			1	V12	650 mm	500 mm	

MARKA	MODEL	MIESIĄC	ROK	→	MIESIĄC	ROK	RAMIE WYCIERACZKI	ADAPTOR	KIEROWCA	PASAŻER	ROZMIAR
CHRYSLER	Neon [PL]	06	94	→	06	99	1	V12	530 mm	450 mm	
CHRYSLER		09	99	→	12	05	1	V12	550 mm	480 mm	
CHRYSLER	Neon Coupé [PL]	09	95	→	06	99	1	V12	530 mm	450 mm	
CHRYSLER	PT Cruiser [PT]	06	00	→	12	10	1	V12	530 mm	500 mm	
CHRYSLER	PT Cruiser Cabrio [PT]	09	00	→	12	10	1	V12	530 mm	500 mm	
CHRYSLER	Sebring [JR]	09	00	→	08	06	1	V12	550 mm	530 mm	
CHRYSLER	[JS]	09	06	→			1	V12	600 mm	530 mm	
CHRYSLER	Sebring Convertible [JR]	01	01	→	09	09	1	V12	550 mm	530 mm	
CHRYSLER	Sebring Convertible [JS]	09	06	→			1	V12	600 mm	530 mm	
CHRYSLER	Stratus [JA]	08	95	→	04	01	1	V12	550 mm	530 mm	
CHRYSLER	Stratus [JX]	08	96	→	12	99	1	V12	550 mm	530 mm	
CHRYSLER	Stratus Cabrio [JA]	08	95	→	04	01	1	V12	550 mm	530 mm	
CHRYSLER	Stratus Cabrio [JX]	08	96	→	12	99	1	V12	550 mm	530 mm	
CHRYSLER	Vision	09	93	→	12	97	1	V12	600 mm		
CHRYSLER	Voyager [ES]	09	91	→	12	95	1	V12	450 mm	450 mm	
CHRYSLER	Voyager [GS]	01	95	→	12	00	1	V12	650 mm	650 mm	
CHRYSLER	Voyager [RC]	09	00	→	12	07	1	V12	650 mm	650 mm	
CHRYSLER	Voyager [RS]	09	99	→	12	08	1	V12	650 mm	650 mm	
CHRYSLER	Voyager [RT]	01	08	→	11	09	1	V12	650 mm	500 mm	
CHRYSLER		12	09	→			1	V12	650 mm	500 mm	
CHRYSLER	300 [LX]	09	04	→	08	10	1	V12	550 mm	550 mm	
CHRYSLER	300C [LE]	10	04	→	08	10	1	V12	550 mm	550 mm	
CHRYSLER	300C [LX]	09	04	→	08	09	1	V12	550 mm	550 mm	
CHRYSLER	300C Touring [LE]	10	04	→	08	10	1	V12	550 mm	550 mm	
CHRYSLER	300M [LH]	09	98	→	12	04	1	V12	600 mm	480 mm	
CITROEN	AX	10	86	→	12	98	1	V12	550 mm		
CITROEN	Berlingo [M49]	07	96	→	11	02	1	V12	550 mm	530 mm	
CITROEN	Berlingo [M59]	11	02	→	10	11	1	V12	550 mm	530 mm	
CITROEN	Berlingo [B9]	05	08	→			3	3H-2	650 mm	400 mm	19 mm
CITROEN	Berlingo [K9]	07	18	→			3	3H-2	650 mm	430 mm	19 mm

MARKA	MODEL	MIESIĄC	ROK	→	MIESIĄC	ROK	RAMIE WYCIERACZKI	ADAPTOR	KIEROWCA	PASAŻER	ROZMIAR
CITROEN	C 15	07	87	→	12	05	1	V12	450 mm		
CITROEN	C-Crosser [I4]	09	07	→	01	13	1	V12	600 mm	530 mm	
CITROEN	C-Zero	10	10	→			1	V12	700 mm		
CITROEN	C1 I [B0]	06	05	→	12	14	1	V12	650 mm		
CITROEN	C1 II [B4]	02	14	→			6	3D-2	650 mm		
CITROEN	C2 [A6]	09	03	→	12	09	1	V12	600 mm	450 mm	
CITROEN	C3 I [A8,A31]	01	02	→	12	09	1	V12	600 mm	450 mm	
CITROEN	C3 III [B618]	07	16	→			3	3H-2	650 mm	400 mm	19 mm
CITROEN	C3 Aircross [A88]	06	17	→			3	3H-2	650 mm	400 mm	16 mm
CITROEN	C3 Picasso [A58]	02	09	→	03	10	3	3H-2	600 mm	400 mm	19 mm
CITROEN	C3-Pluriel [A42]	05	03	→	10	12	1	V12	550 mm	450 mm	
CITROEN	C4 I [B5]	11	04	→	11	12	6	3D-2	700 mm	600 mm	
CITROEN	C4 II [B71]	09	10	→			3	3H-2	760 mm	650 mm	19 mm
CITROEN	C4 Aircross	03	12	→			1	V12	600 mm	530 mm	
CITROEN	C4 Coupé [B5]	11	04	→	07	10	6	3D-2	700 mm	600 mm	
CITROEN	C4 L	12	11	→			3	3H-2	760 mm	650 mm	19 mm
CITROEN	C4 Picasso I [B58]	02	07	→	03	08	2	3B	810 mm	760 mm	
CITROEN	C4 Picasso II [B78]	02	13	→	07	16	3	3H-2	810 mm	760 mm	19 mm
CITROEN		08	16	→			3	3H-2	810 mm	700 mm	19 mm
CITROEN	C4 Sedan [B5]	07	06	→	11	12	6	3D-2	700 mm	600 mm	
CITROEN	C4 Spacetourer [B78]	04	18	→			3	3H-2	810 mm	700 mm	19 mm
CITROEN	C5 [X4]	03	01	→	11	03	1	V12	650 mm	450 mm	
CITROEN		12	03	→	09	04	2	3B	650 mm	450 mm	
CITROEN	C5 [X3]	10	04	→	03	08	2	3B	650 mm	450 mm	
CITROEN	C5 [X7]	04	08	→	12	18	6	3D-2	700 mm	550 mm	
CITROEN	C5 Aircross	11	18	→			3	3H-2	700 mm	400 mm	16 mm
CITROEN	C5 Break [X4]	06	01	→	11	03	1	V12	650 mm	450 mm	
CITROEN		12	03	→	09	04	2	3B	650 mm	450 mm	
CITROEN	C5 Break [X3]	10	04	→	03	08	2	3B	650 mm	450 mm	
CITROEN	C5 Tourer [X7]	04	08	→	12	17	6	3D-2	700 mm	550 mm	

MARKA	MODEL	MIESIĄC	ROK	→	MIESIĄC	ROK	RAMIE WYCIERACZKI	ADAPTOR	KIEROWCA	PASAŻER	ROZMIAR
CITROEN	C6 [X6]	11	05	→	12	12	2	3B	700 mm	700 mm	
CITROEN	C8 [V3]	06	02	→	07	05	1	V12	650 mm	650 mm	
CITROEN		08	05	→	07	14	1	V12	650 mm	650 mm	
CITROEN	DS4 [B75]	03	11	→	09	15	3	3H-2	760 mm	650 mm	19 mm
CITROEN	DS5 [B81]	09	11	→	04	15	3	3H-2	760 mm	650 mm	19 mm
CITROEN	Evasion [U60]	06	94	→	07	02	1	V12	650 mm	500 mm	
CITROEN	Grand C4 Picasso I [B58]	10	06	→	03	08	2	3B	810 mm	760 mm	
CITROEN	Grand C4 Picasso II [B78]	02	13	→	07	16	3	3H-2	810 mm	760 mm	19 mm
CITROEN		08	16	→			3	3H-2	810 mm	700 mm	19 mm
CITROEN	Grand C4 Spacetourer [B78]	04	18	→			3	3H-2	810 mm	700 mm	19 mm
CITROEN	Jumper [U5,23]	02	94	→	05	06	1	V12	550 mm	530 mm	
CITROEN	Jumper [U9]	06	06	→			3	3H-2	650 mm	550 mm	19 mm
CITROEN	Jumpy [U64]	10	95	→	01	07	1	V12	650 mm	500 mm	
CITROEN	Jumpy [G9]	02	07	→	01	17	1	V12	650 mm	500 mm	
CITROEN	Saxo [S8]	02	96	→	09	99	1	V12	500 mm	450 mm	
CITROEN	Saxo [S8]	10	99	→	09	03	1	V12	500 mm	450 mm	
CITROEN	Xantia [X1]	03	93	→	12	98	1	V12	600 mm	500 mm	
CITROEN	Xantia [X2]	10	97	→	12	01	1	V12	600 mm	500 mm	
CITROEN	Xantia Break [X1]	09	95	→	01	98	1	V12	600 mm	500 mm	
CITROEN	Xantia Break [X2]	12	97	→	11	99	1	V12	600 mm	500 mm	
CITROEN		12	99	→	12	01	1	V12	600 mm	500 mm	
CITROEN	XM [Y3,Y4]	05	89	→	10	00	1	V12	550 mm	530 mm	
CITROEN	Xsara [N6,N7]	07	97	→	12	05	1	V12	550 mm	500 mm	
CITROEN	Xsara Break [N6,N7]	10	97	→	03	10	1	V12	550 mm	500 mm	
CITROEN	Xsara Coupé [N6,N7]	07	97	→	12	05	1	V12	550 mm	500 mm	
CITROEN	Xsara Picasso [N68]	01	00	→	09	05	1	V12	650 mm	650 mm	
CITROEN		10	05	→	04	10	2	3B	650 mm	650 mm	
CITROEN	ZX [N20/N21]	03	91	→	02	98	1	V12	550 mm		
DACIA	Dokker [FE/KE]	07	12	→	05	15	1	V12	550 mm	400 mm	
DACIA	Duster [HS]	10	09	→	05	12	1	V12	500 mm	500 mm	

MARKA	MODEL	MIESIĄC	ROK	→	MIESIĄC	ROK	RAMIE WYCIERACZKI	ADAPTOR	KIEROWCA	PASAŻER	ROZMIAR
DACIA		06	12	→	11	14	1	V12	500 mm	500 mm	
DACIA		10	14	→	11	16	1	V12	600 mm	450 mm	
DACIA	Lodgy	03	12	→	04	15	1	V12	550 mm	400 mm	
DACIA	Logan I [LS]	07	04	→	12	15	1	V12	500 mm	500 mm	
DACIA	Logan II [L8]	08	12	→	02	15	1	V12	550 mm	500 mm	
DACIA	Logan MCV I [KS/FS]	01	07	→	12	15	1	V12	500 mm	500 mm	
DACIA	Logan MCV II [K8]	03	13	→	02	15	1	V12	550 mm	500 mm	
DACIA	Logan Pick-Up [US]	01	07	→	12	15	1	V12	500 mm	500 mm	
DACIA	Nova	05	96	→	09	00	1	V12	500 mm	500 mm	
DACIA	Sandero I [BS]	06	08	→	12	15	1	V12	500 mm	500 mm	
DACIA	Sandero II [B8]	08	12	→	02	15	1	V12	550 mm	500 mm	
DACIA	Serie 1300	01	79	→	06	04	1	V12	400 mm	400 mm	
DACIA	Solenza	04	03	→	04	05	1	V12	450 mm	450 mm	
DACIA	Super Nova	10	00	→	09	03	1	V12	500 mm	500 mm	
DAEWOO	Cielo	08	94	→	03	01	1	V12	450 mm	450 mm	
DAEWOO	Espero [KLEJ]	09	91	→	10	99	1	V12	450 mm	450 mm	
DAEWOO	Evanda	03	03	→	01	05	1	V12	550 mm	500 mm	
DAEWOO	Gentra	09	05	→	02	11	1	V12	550 mm	480 mm	
DAEWOO	Kalos [KLAS]	09	02	→	01	05	1	V12	550 mm	400 mm	
DAEWOO	Kalos Hatchback [KLAS]	09	02	→	01	05	1	V12	550 mm	400 mm	
DAEWOO	Korando [KJ]	07	96	→	12	00	1	V12	450 mm	450 mm	
DAEWOO	Lacetti [KLAN]	03	04	→	01	05	1	V12	550 mm	480 mm	
DAEWOO	Lanos [KLAT]	11	96	→	09	03	1	V12	480 mm	480 mm	
DAEWOO	Lanos Hatchback [KLAT]	11	96	→	09	03	1	V12	480 mm	480 mm	
DAEWOO	Leganza [KLAV,V100]	03	97	→	12	02	1	V12	550 mm	500 mm	
DAEWOO	LeMans	09	88	→	10	96	1	V12	450 mm	450 mm	
DAEWOO	Matiz [KLYA, M100]	04	98	→	01	05	1	V12	530 mm	380 mm	
DAEWOO	Matiz Creative	09	09	→	08	15	1	V12	550 mm	380 mm	
DAEWOO	Musso [FJ]	07	93	→	12	00	1	V12	500 mm	450 mm	
DAEWOO	Nexia	01	95	→			1	V12	450 mm	450 mm	



MARKA	MODEL	MIESIĄC	ROK	→	MIESIĄC	ROK	RAMIE WYCIERACZKI	ADAPTOR	KIEROWCA	PASAŻER	ROZMIAR
DAEWOO	Nexia Hatchback [KLETN]	11	94	→	08	97	1	V12	450 mm	450 mm	
DAEWOO	Nubira [KLAJ,J100]	09	97	→	09	99	1	V12	500 mm	500 mm	
DAEWOO	Nubira [KLAN,J200]	10	99	→	01	05	1	V12	550 mm	480 mm	
DAEWOO	Nubira Hatchback [KLAJ,J100]	09	97	→	09	99	1	V12	500 mm	500 mm	
DAEWOO	Nubira Station Wagon [KLAJ,J100]	09	97	→	09	99	1	V12	500 mm	500 mm	
DAEWOO	Nubira Station Wagon [KLAN,J200]	08	99	→	01	05	1	V12	550 mm	480 mm	
DAEWOO	Rezzo [KLAU]	09	00	→	01	05	1	V12	600 mm	450 mm	
DAEWOO	Sens [TF698]	01	02	→			1	V12	480 mm	480 mm	
DAEWOO	Tico [KLY3]	06	91	→	01	05	1	V12	400 mm	400 mm	
DAIHATSU	Charade [G2]	06	94	→	09	00	1	V12	480 mm	400 mm	
DAIHATSU	Charade [NSP90]	03	11	→			1	V12	600 mm	350 mm	
DAIHATSU	Charade Hatchback [G2]	01	93	→	04	00	1	V12	480 mm	400 mm	
DAIHATSU	Cuore [L5]	08	94	→	12	99	1	V12	400 mm	400 mm	
DAIHATSU	Cuore [L7]	10	98	→	03	03	1	V12	450 mm	380 mm	
DAIHATSU	Cuore [L2]	03	03	→			1	V12	530 mm	280 mm	
DAIHATSU	Gran Move [G3]	11	96	→	07	02	1	V12	530 mm	480 mm	
DAIHATSU	Hijet	12	92	→			1	V12	400 mm	400 mm	
DAIHATSU	Materia	09	06	→			1	V12	500 mm	480 mm	
DAIHATSU	Move	08	95	→	09	02	1	V12	400 mm	380 mm	
DAIHATSU	Rocky	03	93	→	03	02	1	V12	400 mm	400 mm	
DAIHATSU	Sirion I [M1]	04	98	→	07	04	1	V12	480 mm	400 mm	
DAIHATSU	Sirion II [M3]	10	04	→			1	V12	500 mm	400 mm	
DAIHATSU	Terios [J1]	03	97	→	12	05	1	V12	500 mm	380 mm	
DAIHATSU	Terios [J2]	01	06	→			1	V12	530 mm	450 mm	
DAIHATSU	Trevis [L6]	08	06	→			1	V12	500 mm	400 mm	
DAIHATSU	YRV [M2]	08	00	→	07	05	1	V12	550 mm	350 mm	
DODGE	Avenger [JS]	09	07	→	08	11	1	V12	600 mm	530 mm	
DODGE	Caliber [P3]	01	06	→	08	09	1	V12	600 mm	400 mm	
DODGE	Caliber [PM]	09	06	→			1	V12	600 mm	400 mm	
DODGE	Caravan [NS]	09	94	→	08	03	1	V12	650 mm	650 mm	

MARKA	MODEL	MIESIĄC	ROK	→	MIESIĄC	ROK	RAMIE WYCIERACZKI	ADAPTOR	KIEROWCA	PASAŻER	ROZMIAR
DODGE	Caravan [RS]	09	00	→	08	07	1	V12	650 mm	650 mm	
DODGE	Durango [HB]	09	03	→	08	06	1	V12	650 mm	530 mm	
DODGE	Durango [WD]	09	10	→	08	15	1	V12	550 mm	530 mm	
DODGE	Grand Caravan [RT]	09	07	→	11	09	1	V12	650 mm	500 mm	
DODGE		12	09	→			1	V12	650 mm	500 mm	
DODGE	Journey [JC]	09	08	→			1	V12	600 mm	450 mm	
DODGE	Magnum [LX]	09	04	→	08	08	1	V12	550 mm	530 mm	
DODGE	Nitro [KA]	09	06	→	08	11	1	V12	480 mm	480 mm	
DR AUTOMOBILES	DR 3	02	18	→			1	V12	530 mm	430 mm	
DR AUTOMOBILES	DR 4	02	17	→			3	3H-2	550 mm	380 mm	
DR AUTOMOBILES	DR 6	04	17	→			1	V12	600 mm	450 mm	
DS (CITROEN)	DS3 Crossback [D34]	01	19	→			3	3H-2	600 mm	400 mm	19 mm
DS (CITROEN)	DS4 [B75]	10	15	→			3	3H-2	760 mm	650 mm	19 mm
DS (CITROEN)	DS5 [B81]	02	15	→			3	3H-2	760 mm	650 mm	19 mm
DS (CITROEN)	DS7	09	17	→			3	3H-2	700 mm	400 mm	16 mm
E.GO	Life	05	18	→			1	V12	550 mm	400 mm	
FIAT	124 Spider [348]	03	16	→			1	V12	450 mm	480 mm	
FIAT	126	09	87	→	09	00	1	V12	350 mm	350 mm	
FIAT	500 [312..]	07	07	→			3	3H-2	600 mm	330 mm	19 mm
FIAT	500C [312..]	07	09	→			3	3H-2	600 mm	330 mm	19 mm
FIAT	500 EV [CFF]	03	12	→			1	V12	600 mm	350 mm	
FIAT	500L [199..,CFA]	09	12	→			3	3H-2	650 mm	380 mm	19 mm
FIAT	500X [334]	11	14	→			3	3H-2	650 mm	350 mm	19 mm
FIAT	Albea [172..]	01	02	→	12	12	1	V12	550 mm	450 mm	
FIAT	Barchetta [183..]	01	95	→	02	05	1	V12	480 mm	480 mm	
FIAT	Brava [182..]	10	95	→	12	01	1	V12	550 mm	500 mm	
FIAT	Bravo [182..]	10	95	→	09	01	1	V12	550 mm	500 mm	
FIAT	Bravo [198]	03	07	→	12	14	3	3H-2	600 mm	450 mm	19 mm
FIAT	Cinquecento [170..]	07	91	→	07	98	1	V12	480 mm	480 mm	
FIAT	Coupé [175..]	02	94	→	09	00	1	V12	530 mm	480 mm	

MARKA	MODEL	MIESIĄC	ROK	→	MIESIĄC	ROK	RAMIE WYCIERACZKI	ADAPTOR	KIEROWCA	PASAŻER	ROZMIAR
FIAT	Croma [154..]	07	90	→	12	96	1	V12	500 mm	500 mm	
FIAT	Croma [194..]	06	05	→	12	10	2	3B	600 mm	430 mm	
FIAT	Doblo [223..]	07	00	→	08	16	1	V12	550 mm	450 mm	
FIAT	Doblo [263..]	02	10	→			3	3H-2	600 mm	400 mm	19 mm
FIAT	Doblo Cargo [223..]	07	00	→	08	16	1	V12	550 mm	450 mm	
FIAT	Doblo Cargo [263..]	02	10	→			3	3H-2	600 mm	400 mm	19 mm
FIAT	Ducato [230;231;232;234]	03	94	→	03	02	1	V12	550 mm	530 mm	
FIAT	Ducato [243;244;245;247]	04	02	→	12	11	1	V12	550 mm	530 mm	
FIAT	Ducato [250;251;290]	06	06	→			3	3H-2	650 mm	550 mm	19 mm
FIAT	Egea	11	15	→			3	3H-2	650 mm	400 mm	19 mm
FIAT	Fiorino '93 [255..]	09	93	→	12	01	1	V12	450 mm		
FIAT	Freemont [JC]	06	11	→	12	15	1	V12	600 mm	480 mm	
FIAT	Fullback	05	16	→			1	V12	550 mm	450 mm	
FIAT	Grande Punto [199..]	10	05	→	12	11	6	3D-2	650 mm	380 mm	
FIAT		01	04	→	12	05	1	V12	550 mm	400 mm	
FIAT	Idea [350]	01	06	→	03	08	1	V12	550 mm	380 mm	
FIAT		04	08	→	12	12	3	3H-2	550 mm	380 mm	19 mm
FIAT	Linea [323]	03	07	→			6	3D-2	650 mm	380 mm	
FIAT	Marea [185..]	10	96	→	12	02	1	V12	550 mm	480 mm	
FIAT	Marengo [259..]	02	90	→	12	96	1	V12	500 mm	500 mm	
FIAT	Marengo [285..]	01	97	→	09	02	1	V12	550 mm	480 mm	
FIAT	Multipla [186..]	01	99	→	12	05	1	V12	600 mm	530 mm	
FIAT		01	06	→	12	10	6	3D-2	600 mm	550 mm	
FIAT	Palio [178..]	03	98	→	12	11	1	V12	550 mm	450 mm	
FIAT	Palio Weekend [178..]	09	97	→	12	08	1	V12	550 mm	450 mm	
FIAT	Panda [141..]	07	93	→	09	03	1	V12	400 mm		
FIAT	Panda [169..]	10	03	→	12	12	1	V12	550 mm	400 mm	
FIAT	Panda [312..]	02	12	→			3	3H-2	600 mm	380 mm	19 mm
FIAT	Punto [176..]	08	93	→	08	99	1	V12	550 mm	400 mm	
FIAT	Punto [188..]	07	99	→	12	10	1	V12	550 mm	450 mm	

MARKA	MODEL	MIESIĄC	ROK	→	MIESIĄC	ROK	RAMIE WYCIERACZKI	ADAPTOR	KIEROWCA	PASAŻER	ROZMIAR
FIAT	Punto [199..]	01	12	→			6	3D-2	650 mm	380 mm	
FIAT	Punto Cabrio [176..]	04	94	→	08	99	1	V12	550 mm	400 mm	
FIAT	Punto Evo [199..]	10	09	→	12	12	6	3D-2	650 mm	380 mm	
FIAT	Punto Grande [199..]	10	05	→	12	11	6	3D-2	650 mm	380 mm	
FIAT	Punto GT [176..]	08	93	→	08	99	1	V12	550 mm	400 mm	
FIAT	Punto VAN [276..]	05	97	→	08	99	1	V12	550 mm	400 mm	
FIAT	Punto VAN [288..]	05	99	→	12	10	1	V12	550 mm	450 mm	
FIAT	Scudo [222..]	10	95	→	01	07	1	V12	650 mm	500 mm	
FIAT	Scudo [272..]	01	07	→	04	16	1	V12	650 mm	500 mm	
FIAT	Sedici [189..]	05	06	→	12	14	1	V12	650 mm	350 mm	
FIAT	Seicento [187..]	03	98	→	12	10	1	V12	480 mm	480 mm	
FIAT	Siena [178..]	04	97	→	12	01	1	V12	550 mm	450 mm	
FIAT	Stilo [192..]	10	01	→	06	05	1	V12	530 mm	450 mm	
FIAT		07	05	→	12	07	6	3D-2	550 mm	480 mm	
FIAT	Stilo Multi Wagon [192..]	10	02	→	06	05	1	V12	530 mm	450 mm	
FIAT		07	05	→	12	07	6	3D-2	550 mm	480 mm	
FIAT	Strada [278]	03	99	→	12	11	1	V12	550 mm	450 mm	
FIAT	Talento '16 [296]	06	16	→			3	3H-2	650 mm	480 mm	19 mm
FIAT	Tempra [159]	02	90	→	12	98	1	V12	500 mm	500 mm	
FIAT	Tempra SW [159]	02	90	→	12	98	1	V12	500 mm	500 mm	
FIAT	Tipo [356]	11	15	→			3	3H-2	650 mm	400 mm	19 mm
FIAT	Tipo Hatchback [357]	11	15	→			3	3H-2	650 mm	400 mm	19 mm
FIAT	Tipo Station Wagon [358]	06	16	→			3	3H-2	650 mm	400 mm	19 mm
FIAT	Ulysse [121..]	09	94	→	09	02	1	V12	650 mm	500 mm	
FIAT	Ulysse [179..]	10	02	→	10	05	1	V12	650 mm	650 mm	
FIAT		11	05	→	12	10	1	V12	650 mm	650 mm	
FIAT	Uno [146..]	09	87	→	12	00	1	V12	450 mm		
FIAT	Uno [158..]	01	96	→	12	10	1	V12	450 mm		
FORD	B-MAX	08	12	→			6	3D-2	760 mm	650 mm	
FORD	C-MAX I [07]	03	07	→	07	10	2	3B	650 mm	480 mm	

MARKA	MODEL	MIESIĄC	ROK	→	MIESIĄC	ROK	RAMIE WYCIERACZKI	ADAPTOR	KIEROWCA	PASAŻER	ROZMIAR
FORD	C-MAX II [11]	08	10	→	03	15	6	3D-2	760 mm	600 mm	
FORD	C-MAX II [15]	04	15	→			6	3D-2	760 mm	600 mm	
FORD	Cougar	08	98	→	12	00	1	V12	550 mm	500 mm	
FORD	Econovan	08	85	→	12	99	1	V12	400 mm	400 mm	
FORD	Ecosport [14]	11	17	→			6	3D-2	650 mm	600 mm	
FORD	Edge '16	01	16	→			6	3D-2	700 mm	700 mm	
FORD	Escort VII [95]	01	95	→	09	01	1	V12	500 mm	500 mm	
FORD	Escort VII Cabrio [95]	01	95	→	09	01	1	V12	500 mm	500 mm	
FORD	Escort VII Express [95]	01	95	→	09	01	1	V12	500 mm	500 mm	
FORD	Escort VII Turnier [95]	01	95	→	09	01	1	V12	500 mm	500 mm	
FORD	Everest	03	09	→	12	14	1	V12	450 mm	450 mm	
FORD	Explorer [EX]	01	91	→	08	01	1	V12	450 mm	450 mm	
FORD	Explorer	09	10	→			6	3D-2	650 mm	550 mm	
FORD	Festiva	01	93	→	10	00	1	V12	500 mm	450 mm	
FORD	Fiesta III [89]	03	89	→	12	96	1	V12	480 mm	480 mm	
FORD	Fiesta III Courier [89]	09	91	→	08	96	1	V12	480 mm	480 mm	
FORD	Fiesta IV/V [96]	10	95	→	12	02	1	V12	480 mm	480 mm	
FORD	Fiesta IV/V Courier [96]	10	95	→	12	02	1	V12	480 mm	480 mm	
FORD	Fiesta VI [02]	11	01	→	09	08	1	V12	550 mm	400 mm	
FORD	Fiesta VII [08]	07	08	→	11	12	3	3H-2	650 mm	380 mm	19 mm
FORD	Fiesta VII [13]	11	12	→			3	3H-2	650 mm	400 mm	19 mm
FORD	Fiesta VIII [17]	05	17	→			3	3H-2	700 mm	330 mm	19 mm
FORD	Figo	02	10	→			1	V12	550 mm	400 mm	
FORD	Five Hundred	09	05	→	08	07	2	3B	600 mm	500 mm	
FORD	Focus C-MAX [04]	06	03	→	03	07	2	3B	650 mm	480 mm	
FORD	Focus I [99]	08	98	→	05	05	1	V12	550 mm	480 mm	
FORD	Focus I Sedan [99]	08	98	→	05	05	1	V12	550 mm	480 mm	
FORD	Focus I Turnier [99]	11	98	→	05	05	1	V12	550 mm	480 mm	
FORD	Focus II [04]	07	04	→	01	06	2	3B	650 mm	430 mm	
FORD	Focus II [04,08]	02	06	→	12	11	2	3B	650 mm	430 mm	

MARKA	MODEL	MIESIĄC	ROK	→	MIESIĄC	ROK	RAMIE WYCIERACZKI	ADAPTOR	KIEROWCA	PASAŻER	ROZMIAR
FORD	Focus II Cabriolet [06]	07	06	→	07	10	2	3B	650 mm	430 mm	
FORD	Focus II Sedan [04]	07	04	→	01	08	2	3B	650 mm	430 mm	
FORD	Focus II Turnier [04,08]	07	04	→	10	08	2	3B	650 mm	430 mm	
FORD	Focus II Turnier [08]	11	08	→	12	11	2	3B	650 mm	430 mm	
FORD	Focus III [11,15]	01	11	→			3	3H-2	700 mm	700 mm	19 mm
FORD	Focus III Sedan [11,15]	01	11	→			3	3H-2	700 mm	700 mm	19 mm
FORD	Focus III Turnier [11,15]	01	11	→			3	3H-2	700 mm	700 mm	19 mm
FORD	Focus IV [18]	05	18	→			3	3H-2	650 mm	500 mm	19 mm
FORD	Focus IV Turnier [18]	05	18	→			3	3H-2	650 mm	500 mm	19 mm
FORD	Fusion [02]	10	02	→	06	12	1	V12	550 mm	400 mm	
FORD	Fusion [03]	07	12	→		20	6	3D-2	650 mm	650 mm	
FORD	Galaxy [00]	04	01	→	08	06	2	3B	700 mm	700 mm	
FORD	Galaxy [06]	03	06	→	11	08	3	3H-2	760 mm	650 mm	19 mm
FORD		12	08	→	12	14	3	3H-2	760 mm	650 mm	19 mm
FORD	Galaxy [15]	05	15	→	06	18	6	3D-2	760 mm	760 mm	
FORD		07	18	→			6	3D-2	760 mm	760 mm	
FORD	Grand C-MAX [11]	08	10	→	03	15	6	3D-2	760 mm	600 mm	
FORD	Grand C-MAX [15]	04	15	→			6	3D-2	760 mm	600 mm	
FORD	Ka I [97]	09	96	→	09	08	1	V12	480 mm	400 mm	
FORD	Ka II [08]	09	08	→	10	10	1	V12	600 mm	350 mm	
FORD		11	10	→	05	16	3	3H-2	600 mm	330 mm	19 mm
FORD	KA+	07	16	→			3	3H-2	550 mm	400 mm	19 mm
FORD	Kuga I [CBV]	02	08	→	11	12	3	3H-2	600 mm	400 mm	19 mm
FORD	Kuga II [DM2]	11	12	→	12	18	6	3D-2	700 mm	700 mm	
FORD	Kuga III	01	19	→			6	3D-2	600 mm	500 mm	
FORD	Maverick [94,96]	06	93	→	12	98	1	V12	530 mm	500 mm	
FORD	Maverick [1EZ,1N2]	10	00	→	01	07	1	V12	480 mm	480 mm	
FORD	Mondeo I [93]	01	93	→	07	96	1	V12	530 mm	500 mm	
FORD	Mondeo I Sedan [93]	01	93	→	07	96	1	V12	530 mm	500 mm	
FORD	Mondeo I Turnier [93]	04	93	→	07	96	1	V12	530 mm	500 mm	

MARKA	MODEL	MIESIĄC	ROK	→	MIESIĄC	ROK	RAMIE WYCIERACZKI	ADAPTOR	KIEROWCA	PASAŻER	ROZMIAR
FORD	Mondeo II [97]	08	96	→	09	00	1	V12	530 mm	500 mm	
FORD	Mondeo II Sedan [97]	08	96	→	09	00	1	V12	530 mm	500 mm	
FORD	Mondeo II Turnier [97]	08	96	→	09	00	1	V12	530 mm	500 mm	
FORD	Mondeo III [01]	10	00	→	03	07	1	V12	550 mm	500 mm	
FORD	Mondeo III Sedan [01]	10	00	→	03	07	1	V12	550 mm	500 mm	
FORD	Mondeo III Turnier [01]	10	00	→	03	07	1	V12	550 mm	500 mm	
FORD	Mondeo IV [07]	02	07	→	12	14	3	3H-2	650 mm	480 mm	19 mm
FORD	Mondeo IV Sedan [07]	02	07	→	12	14	3	3H-2	650 mm	480 mm	19 mm
FORD	Mondeo IV Turnier [07]	02	07	→	12	14	3	3H-2	650 mm	480 mm	19 mm
FORD	Mondeo V [15]	09	14	→			6	3D-2	700 mm	650 mm	
FORD	Mondeo V Sedan [15]	09	14	→			6	3D-2	700 mm	650 mm	
FORD	Mondeo V Turnier [15]	09	14	→			6	3D-2	700 mm	650 mm	
FORD	Mustang	09	04	→	02	09	1	V12	550 mm	500 mm	
FORD		03	09	→			6	3D-2	550 mm	530 mm	
FORD	Probe	09	88	→	08	97	1	V12	500 mm	500 mm	
FORD	Puma	06	97	→	12	01	1	V12	480 mm	480 mm	
FORD	Ranger	06	94	→	06	09	1	V12	450 mm	450 mm	
FORD	Ranger [TKE]	09	11	→	08	15	1	V12	600 mm	400 mm	
FORD		09	15	→			3	3H-2	600 mm	380 mm	19 mm
FORD	S-MAX [06]	03	06	→	01	09	3	3H-2	760 mm	650 mm	19 mm
FORD		02	09	→	12	14	3	3H-2	760 mm	650 mm	19 mm
FORD	S-MAX [15]	05	15	→	06	18	6	3D-2	760 mm	760 mm	
FORD		07	18	→			6	3D-2	760 mm	760 mm	
FORD	Scorpio II [95]	01	95	→	12	98	1	V12	500 mm	500 mm	
FORD	Scorpio II Turnier [95]	01	95	→	12	98	1	V12	500 mm	500 mm	
FORD	Streetka	12	02	→	12	05	1	V12	480 mm	480 mm	
FORD	Tourneo Connect [02]	05	02	→	12	13	1	V12	550 mm	500 mm	
FORD	Tourneo Connect [13]	09	13	→			6	3D-2	760 mm	760 mm	
FORD	Tourneo Courier	04	14	→			6	3D-2	700 mm	380 mm	
FORD	Tourneo Custom [13]	09	12	→			3	3H-2	760 mm	700 mm	19 mm

MARKA	MODEL	MIESIĄC	ROK	→	MIESIĄC	ROK	RAMIE WYCIERACZKI	ADAPTOR	KIEROWCA	PASAŻER	ROZMIAR
FORD	Transit [95]	08	94	→	08	00	1	V12	550 mm	530 mm	
FORD	Transit [00]	01	00	→	07	06	1	V12	700 mm	600 mm	
FORD	Transit [06,12]	04	06	→	12	13	1	V12	650 mm	550 mm	
FORD	Transit [14]	01	14	→			3	3H-2	760 mm	500 mm	19 mm
FORD	Transit Connect [02]	05	02	→	12	13	1	V12	550 mm	500 mm	
FORD	Transit Connect [13]	09	13	→			6	3D-2	760 mm	760 mm	
FORD	Transit Courier	04	14	→			6	3D-2	700 mm	380 mm	
FORD	Transit Custom [13]	09	12	→			3	3H-2	760 mm	700 mm	19 mm
FORD	Transit Tourneo [95]	08	94	→	08	00	1	V12	550 mm	530 mm	
FORD	Transit Tourneo [00]	08	00	→	07	06	1	V12	650 mm	550 mm	
FORD	Transit Tourneo [06,12]	04	06	→	09	11	1	V12	650 mm	550 mm	
FSM	126	12	94	→	12	00	1	V12	350 mm	350 mm	
FSO	Polonez Atu	01	96	→	12	02	1	V12	400 mm	400 mm	
FSO	Polonez Caro	05	87	→	12	02	1	V12	400 mm	400 mm	
HONDA	Accord [CL/CN/CM]	02	03	→	06	08	1	V12	650 mm	400 mm	
HONDA	Accord [CU/CW]	07	08	→	12	15	1	V12	600 mm	530 mm	
HONDA	Accord Aerodeck [CB/CC/CD/CE]	09	93	→	06	98	1	V12	550 mm	500 mm	
HONDA	Accord Coupé [CB/CC/CD/CE]	01	92	→	12	01	1	V12	550 mm	500 mm	
HONDA	Accord Coupé [CG]	12	97	→	12	02	1	V12	600 mm	480 mm	
HONDA	Accord Hatchback [CG/CH/CL]	10	98	→	11	99	1	V12	550 mm	480 mm	
HONDA		12	99	→	02	03	1	V12	550 mm	480 mm	
HONDA	Accord Sedan [CA/CB/CD]	01	90	→	12	99	1	V12	550 mm	500 mm	
HONDA	Accord Sedan [CC;CE/CF]	03	93	→	10	98	1	V12	550 mm	500 mm	
HONDA	Accord Sedan [CG/CH/CL]	10	98	→	02	03	1	V12	550 mm	480 mm	
HONDA	Accord Tourer [CL/CN/CM]	02	03	→	08	08	1	V12	650 mm	400 mm	
HONDA	Accord Tourer [CU/CW]	09	08	→	12	15	1	V12	600 mm	530 mm	
HONDA	Civic Aerodeck [MB/MC]	03	98	→	02	01	1	V12	500 mm	450 mm	
HONDA	Civic Coupé [EK]	05	01	→	12	04	1	V12	530 mm	480 mm	
HONDA	Civic CRX [EG/EH]	03	92	→	12	98	1	V12	500 mm	450 mm	
HONDA	Civic Fastback [MA]	09	94	→	01	97	1	V12	500 mm	450 mm	



MARKA	MODEL	MIESIĄC	ROK	→	MIESIĄC	ROK	RAMIE WYCIERACZKI	ADAPTOR	KIEROWCA	PASAŻER	ROZMIAR
HONDA	Civic Fastback [MB/MC]	09	94	→	02	01	1	V12	500 mm	450 mm	
HONDA	Civic Hatchback [EG/EH]	10	91	→	09	95	1	V12	500 mm	450 mm	
HONDA	Civic Hatchback [EJ/EK]	10	95	→	02	01	1	V12	500 mm	450 mm	
HONDA	Civic Hatchback [EU/EP]	02	01	→	12	05	1	V12	600 mm	380 mm	
HONDA	Civic Hatchback [FK/FN]	09	05	→	11	11	1	V12	700 mm	550 mm	
HONDA	Civic Hatchback [FK]	09	11	→	02	17	1	V12	650 mm	450 mm	
HONDA	Civic Hatchback [FC/FK]	03	17	→			1	V12	650 mm	450 mm	
HONDA	Civic Hybrid [FA]	01	06	→	08	11	1	V12	650 mm	550 mm	
HONDA	Civic Hybrid [FD]	01	06	→	12	07	1	V12	700 mm	550 mm	
HONDA		01	08	→	12	10	1	V12	650 mm	550 mm	
HONDA	Civic Sedan [EG/EH]	10	91	→	09	95	1	V12	500 mm	450 mm	
HONDA	Civic Sedan [EJ/EK]	10	95	→	02	01	1	V12	500 mm	450 mm	
HONDA	Civic Sedan [ES]	02	01	→	01	06	1	V12	530 mm	450 mm	
HONDA	Civic Sedan [FD]	09	05	→	12	07	1	V12	700 mm	550 mm	
HONDA		09	06	→	12	11	1	V12	650 mm	550 mm	
HONDA	Civic Sedan [FD6]	06	06	→	08	10	1	V12	700 mm	550 mm	
HONDA	Civic Sedan [FB]	09	11	→	12	15	1	V12	700 mm	550 mm	
HONDA	Civic Sedan [FC]	03	17	→			1	V12	650 mm	450 mm	
HONDA	Civic Shuttle [EC/ED/EE]	01	88	→	06	95	1	V12	480 mm	400 mm	
HONDA	Civic Tourer [FK]	12	13	→			1	V12	650 mm	450 mm	
HONDA	CR-V [RD]	10	95	→	07	02	1	V12	480 mm	480 mm	
HONDA		07	02	→	09	06	1	V12	530 mm	500 mm	
HONDA	CR-V [KL]	07	03	→			1	V12	530 mm	480 mm	
HONDA	CR-V [RE]	01	07	→	11	12	1	V12	650 mm	400 mm	
HONDA		10	12	→			1	V12	650 mm	400 mm	
HONDA	CR-V [RM]	01	12	→			1	V12	650 mm	400 mm	
HONDA	CR-V [RW]	09	18	→			1	V12	650 mm	400 mm	
HONDA	CR-V Hybrid [RT]	12	18	→			1	V12	650 mm	400 mm	
HONDA	CR-Z [ZF]	03	10	→	02	14	1	V12	650 mm	500 mm	
HONDA	Crosstour	09	09	→	08	12	1	V12	650 mm	480 mm	

MARKA	MODEL	MIESIĄC	ROK	→	MIESIĄC	ROK	RAMIE WYCIERACZKI	ADAPTOR	KIEROWCA	PASAŻER	ROZMIAR
HONDA	Fit	06	01	→	10	07	1	V12	500 mm	380 mm	
HONDA	Fit	11	07	→	12	08	1	V12	600 mm	380 mm	
HONDA	Fit	01	09	→	01	19	1	V12	700 mm	330 mm	
HONDA	FR-V [BE]	01	05	→	06	09	1	V12	650 mm	450 mm	
HONDA	HR-V [GH]	12	98	→	02	06	1	V12	500 mm	400 mm	
HONDA	HR-V [RU]	08	15	→			1	V12	650 mm	450 mm	
HONDA	Insight Coupé [ZE]	01	00	→	12	06	1	V12	500 mm	450 mm	
HONDA	Insight Hatchback [ZE]	03	09	→	02	14	1	V12	650 mm	400 mm	
HONDA	Integra Type R [DC]	01	98	→	10	01	1	V12	500 mm	450 mm	
HONDA	Jazz [GD]	03	02	→	12	08	1	V12	530 mm	380 mm	
HONDA	Jazz [GE/GG/GP]	10	08	→	12	15	1	V12	650 mm	350 mm	
HONDA	Jazz [GK]	09	15	→			1	V12	650 mm	350 mm	
HONDA	Legend	04	98	→	12	04	1	V12	500 mm	480 mm	
HONDA	Logo	09	96	→	06	01	1	V12	500 mm	450 mm	
HONDA	NSX Coupé [NA]	06	90	→	12	05	1	V12	500 mm	500 mm	
HONDA	Odyssey [RA]	03	00	→	12	04	1	V12	600 mm	530 mm	
HONDA	Odyssey [RA]	01	05	→	11	19	1	V12	650 mm	550 mm	
HONDA	Pilot [YF]	01	09	→	08	15	1	V12	550 mm	530 mm	
HONDA	Prelude [BB]	02	92	→	09	96	1	V12	530 mm	480 mm	
HONDA	Shuttle	01	95	→	05	01	1	V12	550 mm	550 mm	
HONDA	Stream [RN]	10	00	→	07	06	1	V12	600 mm	350 mm	
HONDA	S2000	04	99	→	06	09	1	V12	500 mm	400 mm	
HUMMER	H2	09	02	→			1	V12	400 mm	400 mm	
HUMMER	H3	09	06	→			1	V12	400 mm	400 mm	
HYUNDAI	Accent [X3]	04	94	→	07	99	1	V12	500 mm	450 mm	
HYUNDAI	Accent [LC]	05	99	→	06	06	1	V12	500 mm	450 mm	
HYUNDAI	Accent [MC]	04	06	→	02	12	1	V12	550 mm	400 mm	
HYUNDAI	Accent [RB]	11	10	→			1	V12	650 mm	400 mm	
HYUNDAI	Accent Blue [RB]	01	11	→			1	V12	650 mm	400 mm	
HYUNDAI	Accent Hatchback [X3]	07	94	→	07	99	1	V12	500 mm	450 mm	

MARKA	MODEL	MIESIĄC	ROK	→	MIESIĄC	ROK	RAMIE WYCIERACZKI	ADAPTOR	KIEROWCA	PASAŻER	ROZMIAR
HYUNDAI	Accent Hatchback [LC]	08	99	→	06	06	1	V12	500 mm	450 mm	
HYUNDAI	Accent Hatchback [MC]	04	06	→	02	12	1	V12	550 mm	400 mm	
HYUNDAI	Atos [MX]	09	97	→	12	03	1	V12	500 mm	400 mm	
HYUNDAI	Atos Prime [MX]	09	99	→	03	08	1	V12	500 mm	400 mm	
HYUNDAI	Coupé [FX]	07	96	→			1	V12	530 mm	450 mm	
HYUNDAI	Coupé [RD]	05	96	→	04	02	1	V12	530 mm	450 mm	
HYUNDAI	Coupé [GK]	10	01	→	08	09	1	V12	530 mm	450 mm	
HYUNDAI	Creta	01	16	→			1	V12	650 mm	400 mm	
HYUNDAI	Elantra [J1]	10	90	→	04	95	1	V12	500 mm	450 mm	
HYUNDAI	Elantra [J2]	05	95	→	09	00	1	V12	500 mm	450 mm	
HYUNDAI	Elantra [XD]	06	00	→	09	06	1	V12	500 mm	450 mm	
HYUNDAI	Elantra [HD]	09	05	→			1	V12	500 mm	450 mm	
HYUNDAI	Elantra [MD, UD]	02	11	→			1	V12	650 mm	350 mm	
HYUNDAI	Elantra [AD]	03	16	→			1	V12	650 mm	400 mm	
HYUNDAI	Elantra Hatchback [XD]	06	00	→	09	06	1	V12	500 mm	450 mm	
HYUNDAI	Eon	10	11	→			1	V12	550 mm	350 mm	
HYUNDAI	Equus [VI]	10	09	→	11	12	6	3D-2	600 mm	480 mm	
HYUNDAI		12	12	→			1	V12	600 mm	480 mm	
HYUNDAI	Excel [X3]	07	94	→	07	99	1	V12	500 mm	450 mm	
HYUNDAI	Excel Hatchback [X3]	11	95	→	07	99	1	V12	500 mm	450 mm	
HYUNDAI	Galloper	12	97	→	08	01	1	V12	450 mm	450 mm	
HYUNDAI	Genesis Coupe [BK]	11	08	→	03	16	1	V12	600 mm	500 mm	
HYUNDAI	Genesis Sedan [BH]	05	11	→	03	16	1	V12	600 mm	480 mm	
HYUNDAI	Genesis Sedan [DH]	01	14	→			1	V12	650 mm	400 mm	
HYUNDAI	Getz [TB]	09	02	→	06	09	1	V12	550 mm	350 mm	
HYUNDAI	Grand Santa Fe [NC]	08	13	→			1	V12	650 mm	350 mm	
HYUNDAI	Grandeur [TG]	07	05	→			1	V12	600 mm	500 mm	
HYUNDAI	H 100	09	96	→			1	V12	450 mm	450 mm	
HYUNDAI	H 350	04	14	→			1	V12	650 mm	600 mm	
HYUNDAI	H-1	10	97	→	12	07	1	V12	650 mm	500 mm	

MARKA	MODEL	MIESIĄC	ROK	→	MIESIĄC	ROK	RAMIE WYCIERACZKI	ADAPTOR	KIEROWCA	PASAŻER	ROZMIAR
HYUNDAI		03	08	→			1	V12	600 mm	500 mm	
HYUNDAI	i10 [PA]	10	07	→			1	V12	550 mm	400 mm	
HYUNDAI	i10 [IA]	09	13	→			1	V12	550 mm	400 mm	
HYUNDAI	i20 [PB]	12	08	→			1	V12	600 mm	400 mm	
HYUNDAI	i20 [GB]	11	14	→			1	V12	600 mm	400 mm	
HYUNDAI	i30 [FD]	09	07	→	03	10	3	3H-2	600 mm	450 mm	19 mm
HYUNDAI		04	10	→	01	13	1	V12	600 mm	450 mm	
HYUNDAI	i30 [GD]	12	11	→			1	V12	650 mm	350 mm	
HYUNDAI	i30 [PD]	12	16	→			1	V12	650 mm	400 mm	
HYUNDAI	i30 Coupé [GD]	02	13	→			1	V12	650 mm	350 mm	
HYUNDAI	i30 CW [FD]	02	08	→	03	10	3	3H-2	600 mm	450 mm	19 mm
HYUNDAI		04	10	→	09	12	1	V12	600 mm	450 mm	
HYUNDAI	i30 CW [GD]	03	12	→			1	V12	650 mm	350 mm	
HYUNDAI	i30 CW [PD]	03	17	→			1	V12	650 mm	400 mm	
HYUNDAI	i30 Fastback [PD]	11	17	→			1	V12	650 mm	400 mm	
HYUNDAI	i35	02	11	→			1	V12	650 mm	350 mm	
HYUNDAI	i40 [VF]	04	11	→			1	V12	650 mm	400 mm	
HYUNDAI	i40 CW [VF]	04	11	→			1	V12	650 mm	400 mm	
HYUNDAI	ix20 [JC]	10	10	→			3	3H-2	650 mm	330 mm	19 mm
HYUNDAI	ix35 [LM/EL]	01	10	→			1	V12	600 mm	400 mm	
HYUNDAI	ix55 [EN]	09	08	→	12	12	3	3H-2	600 mm	500 mm	19 mm
HYUNDAI	Ioniq [AE]	03	16	→			1	V12	650 mm	450 mm	
HYUNDAI	Kona [OS]	06	17	→			1	V12	650 mm	400 mm	
HYUNDAI	Lantra [J1]	10	90	→	04	95	1	V12	500 mm	450 mm	
HYUNDAI	Lantra [J2]	05	95	→	09	00	1	V12	500 mm	450 mm	
HYUNDAI	Lantra Kombi [J2]	05	95	→	09	00	1	V12	500 mm	450 mm	
HYUNDAI	Matrix [FC]	07	01	→	04	10	1	V12	550 mm	400 mm	
HYUNDAI	Pony [X3]	07	94	→	07	99	1	V12	500 mm	450 mm	
HYUNDAI	Porter 507	09	00	→	12	03	1	V12	450 mm	450 mm	
HYUNDAI	Santa Fe [SM]	09	99	→	12	05	1	V12	550 mm	500 mm	

MARKA	MODEL	MIESIĄC	ROK	→	MIESIĄC	ROK	RAMIE WYCIERACZKI	ADAPTOR	KIEROWCA	PASAŻER	ROZMIAR
HYUNDAI	Santa Fe [CM]	03	06	→	12	12	1	V12	600 mm	450 mm	
HYUNDAI	Santa Fe [DM]	09	12	→			1	V12	650 mm	350 mm	
HYUNDAI	Santa Fe [TM]	02	18	→			1	V12	650 mm	400 mm	
HYUNDAI	Scoupe	02	90	→	04	95	1	V12	480 mm	400 mm	
HYUNDAI	Solaris [RB]	01	11	→			1	V12	650 mm	400 mm	
HYUNDAI	Solaris Hatchback [RB]	01	11	→			1	V12	650 mm	400 mm	
HYUNDAI	Solaris [YC]	02	17	→			1	V12	600 mm	400 mm	
HYUNDAI	Sonata II [Y3]	11	93	→	04	98	1	V12	500 mm	500 mm	
HYUNDAI	Sonata III [EF]	03	98	→	03	01	1	V12	500 mm	500 mm	
HYUNDAI	Sonata IV [EF]	04	01	→	01	05	1	V12	550 mm	500 mm	
HYUNDAI	Sonata V [NF]	08	04	→	12	10	1	V12	600 mm	500 mm	
HYUNDAI	Sonata [YF]	09	09	→			1	V12	650 mm	480 mm	
HYUNDAI	Starex	10	02	→	01	07	1	V12	650 mm	500 mm	
HYUNDAI		05	07	→			1	V12	600 mm	500 mm	
HYUNDAI	Terracan [HP]	01	01	→	10	06	1	V12	550 mm	500 mm	
HYUNDAI	Trajet [FO]	01	00	→	06	07	1	V12	650 mm	550 mm	
HYUNDAI	Tucson [JM]	08	04	→	03	10	1	V12	600 mm	400 mm	
HYUNDAI	Tucson [TL]	06	15	→			1	V12	650 mm	400 mm	
HYUNDAI	Veloster	06	11	→			1	V12	650 mm	450 mm	
HYUNDAI	Veracruz	09	06	→			3	3H-2	600 mm	500 mm	19 mm
HYUNDAI	Verna [LC]	07	99	→	03	06	1	V12	500 mm	450 mm	
HYUNDAI	Verna [MC]	10	06	→	05	11	1	V12	530 mm	480 mm	
HYUNDAI	XG [F]	12	98	→	12	05	1	V12	550 mm	500 mm	
INFINITI	EX [J50]	04	08	→	06	14	1	V12	600 mm	450 mm	
INFINITI	FX [S50]	11	02	→	08	08	1	V12	550 mm	500 mm	
INFINITI	FX [S51]	07	08	→	12	14	1	V12	600 mm	480 mm	
INFINITI	M-Serie [Y50]	07	06	→	05	10	1	V12	600 mm	480 mm	
INFINITI	M-Serie [Y51]	05	10	→	06	14	1	V12	650 mm	480 mm	
INFINITI	Q30	11	15	→			6	3D-2	600 mm	480 mm	
INFINITI	Q45 [F50]	01	01	→	12	06	1	V12	650 mm	450 mm	

MARKA	MODEL	MIESIĄC	ROK	→	MIESIĄC	ROK	RAMIE WYCIERACZKI	ADAPTOR	KIEROWCA	PASAŻER	ROZMIAR
INFINITI	Q50 [V37]	07	13	→			1	V12	650 mm	400 mm	
INFINITI	Q60 Coupe	08	16	→			1	V12	650 mm	400 mm	
INFINITI	Q70 [Y51]	10	13	→			1	V12	650 mm	480 mm	
INFINITI	QX4 [JR50]	09	96	→	08	03	1	V12	550 mm	530 mm	
INFINITI	QX30	09	16	→			6	3D-2	600 mm	480 mm	
INFINITI	QX56 [A60]	04	08	→			1	V12	600 mm	550 mm	
INFINITI	QX56 [Z62]	03	10	→	06	14	1	V12	600 mm	480 mm	
INFINITI	QX50	10	13	→			1	V12	600 mm	400 mm	
INFINITI	QX60	09	13	→			1	V12	650 mm	400 mm	
INFINITI	QX70 [S51]	11	13	→			1	V12	600 mm	480 mm	
INFINITI	QX80	07	17	→			1	V12	600 mm	450 mm	
INNOCENTI (NUOVA INNOCENTI)	Elba	09	92	→	12	96	1	V12	450 mm		
INNOCENTI (NUOVA INNOCENTI)	Mille	07	94	→	11	97	1	V12	450 mm	450 mm	
ISUZU	D-MAX	05	02	→			1	V12	550 mm	480 mm	
ISUZU	Trooper [UBS]	08	92	→	09	04	1	V12	500 mm	500 mm	
IVECO	Daily [00/06/09/12]	05	99	→	07	14	1	V12	600 mm	600 mm	
IVECO	Daily [14/16]	05	14	→			6	3D-2	650 mm	600 mm	
IVECO	Daily, Grinta	07	89	→	05	99	1	V12	600 mm	600 mm	
IVECO	Massif	06	08	→	12	12	1	V12	450 mm	400 mm	
JAGUAR	Daimler	01	99	→	08	02	1	V12	530 mm		
JAGUAR	F-Type	10	12	→			1	V12	530 mm	530 mm	
JAGUAR	F-Pace	04	16	→			3	3H-2	650 mm	480 mm	19 mm
JAGUAR	I-Pace [X590]	03	18	→			3	3H-2	650 mm	500 mm	16 mm
JAGUAR	S-Type [CCX]	10	98	→	04	02	1	V12	550 mm	530 mm	
JAGUAR		10	01	→	03	08	1	V12	600 mm	450 mm	
JAGUAR	XE	06	15	→			3	3H-2	700 mm	430 mm	19 mm
JAGUAR	XF [X250]	03	08	→	10	15	6	3D-2	600 mm	450 mm	
JAGUAR		03	08	→	10	15	6	3D-2	600 mm	480 mm	
JAGUAR	XF [X260]	10	15	→			3	3H-2	700 mm	430 mm	19 mm
JAGUAR	XF Sportbrake	09	12	→	06	17	6	3D-2	600 mm	450 mm	

MARKA	MODEL	MIESIĄC	ROK	→	MIESIĄC	ROK	RAMIE WYCIERACZKI	ADAPTOR	KIEROWCA	PASAŻER	ROZMIAR
JAGUAR		09	12	→	06	17	6	3D-2	600 mm	480 mm	
JAGUAR	XF Sportbrake [X260]	07	17	→			3	3H-2	700 mm	430 mm	19 mm
JAGUAR	XJ [X351]	11	09	→			6	3D-2	600 mm	450 mm	
JAGUAR	XJ S Cabrio	09	81	→	12	97	1	V12	380 mm	380 mm	
JAGUAR	XJ S Coupé	09	75	→	12	97	1	V12	380 mm	380 mm	
JAGUAR	XJ 6/2003	02	03	→	07	10	1	V12	600 mm	480 mm	
JAGUAR	XJ 8	09	97	→	01	03	1	V12	530 mm		
JAGUAR	XJ 8/2003	02	03	→	07	10	1	V12	600 mm	480 mm	
JAGUAR	XJR 8	09	97	→	09	02	1	V12	530 mm		
JAGUAR	XK [X150]	03	06	→			1	V12	530 mm	530 mm	
JAGUAR	XK 8 Convertible [QDV]	03	96	→	02	09	1	V12	530 mm	530 mm	
JAGUAR	XK 8 Coupé [QEV]	03	96	→	02	09	1	V12	530 mm	530 mm	
JAGUAR	XKR 8 Convertible [QDV]	03	96	→	02	09	1	V12	530 mm	530 mm	
JAGUAR	X-Type [CF1]	03	01	→	06	10	1	V12	550 mm	480 mm	
JAGUAR	X-Type Estate [CF1]	03	03	→	12	09	1	V12	550 mm	480 mm	
JEEP	Cherokee [XJ]	01	87	→	09	01	1	V12	450 mm	450 mm	
JEEP	Cherokee [KJ]	03	01	→	12	07	1	V12	480 mm	480 mm	
JEEP	Cherokee [KK]	01	08	→	12	13	1	V12	480 mm	480 mm	
JEEP	Cherokee [KL]	01	14	→			1	V12	650 mm	450 mm	
JEEP	Commander [XH]	01	06	→	08	11	1	V12	450 mm	450 mm	
JEEP	Compass [MK,PK]	10	06	→			1	V12	550 mm	500 mm	
JEEP	Compass [MX]	06	17	→			1	V12	600 mm	450 mm	
JEEP	Grand Cherokee [ZG]	09	92	→	04	99	1	V12	500 mm	500 mm	
JEEP	Grand Cherokee [WG]	09	00	→	12	04	1	V12	530 mm	530 mm	
JEEP	Grand Cherokee [WH]	03	05	→	10	11	1	V12	530 mm	530 mm	
JEEP	Grand Cherokee [WK]	09	03	→			1	V12	530 mm	530 mm	
JEEP	Grand Cherokee [WK2]	09	10	→	08	13	1	V12	550 mm	530 mm	
JEEP		09	13	→			1	V12	550 mm	530 mm	
JEEP	Liberty [KK]	09	07	→	08	13	1	V12	480 mm	480 mm	
JEEP	Patriot [MK]	10	06	→	08	18	1	V12	530 mm	530 mm	

MARKA	MODEL	MIESIĄC	ROK	→	MIESIĄC	ROK	RAMIE WYCIERACZKI	ADAPTOR	KIEROWCA	PASAŻER	ROZMIAR
JEEP	Renegade	07	14	→			3	3H-2	550 mm	500 mm	19 mm
JEEP	Wrangler [TJ]	01	97	→	12	06	1	V12	380 mm	380 mm	
JEEP	Wrangler [JK]	01	07	→			1	V12	380 mm	380 mm	
JEEP	Wrangler [JL]	11	17	→			1	V12	400 mm	400 mm	
KIA	Carens [FC]	04	99	→	08	06	1	V12	600 mm	450 mm	
KIA	Carens [FG]	09	06	→	12	12	1	V12	650 mm	400 mm	
KIA	Carens [RP]	01	13	→			1	V12	700 mm	700 mm	
KIA	Carnival [UP]	06	98	→	06	06	1	V12	600 mm	600 mm	
KIA	Carnival [MB]	04	06	→			1	V12	650 mm	450 mm	
KIA	Cee'd [ED/FF2]	11	06	→	06	09	3	3H-2	600 mm	450 mm	19 mm
KIA		07	09	→	12	12	1	V12	600 mm	450 mm	
KIA	Cee'd [JD]	05	12	→			1	V12	650 mm	350 mm	
KIA	Cee'd [CD]	07	18	→			1	V12	650 mm	400 mm	
KIA	Cee'd Sporty Wagon [ED/FF2]	09	07	→	06	09	3	3H-2	600 mm	450 mm	19 mm
KIA		07	09	→	12	12	1	V12	600 mm	450 mm	
KIA	Cee'd Sporty Wagon [JD]	08	12	→			1	V12	650 mm	350 mm	
KIA	Cee'd Sports Wagon [CD]	11	18	→			1	V12	650 mm	400 mm	
KIA	Cerato [FE]	03	04	→	11	09	1	V12	600 mm	400 mm	
KIA	Cerato Hatchback [FE]	03	04	→	11	09	1	V12	600 mm	400 mm	
KIA	Cerato [TD]	12	08	→			1	V12	600 mm	500 mm	
KIA	Cerato Koup [TD]	08	10	→			1	V12	600 mm	500 mm	
KIA	Ceres	06	99	→			1	V12	530 mm	450 mm	
KIA	Clarus [GC]	05	96	→	11	01	1	V12	530 mm	480 mm	
KIA	Clarus II Kombi [GC]	06	98	→	11	01	1	V12	530 mm	480 mm	
KIA	Joice [MT]	08	99	→	09	01	1	V12	530 mm	450 mm	
KIA		09	01	→	03	03	1	V12	530 mm	450 mm	
KIA	K 2500	09	01	→	12	06	1	V12	530 mm	480 mm	
KIA	K 2700 [SD]	04	98	→	08	04	1	V12	530 mm	450 mm	
KIA	K 2700	08	04	→	12	06	1	V12	530 mm	480 mm	
KIA	K 2900	05	07	→	12	16	1	V12	530 mm	480 mm	



MARKA	MODEL	MIESIĄC	ROK	→	MIESIĄC	ROK	RAMIE WYCIERACZKI	ADAPTOR	KIEROWCA	PASAŻER	ROZMIAR
KIA	Magentis [GD]	09	00	→	12	05	1	V12	550 mm	500 mm	
KIA	Magentis [GE]	02	06	→	04	10	1	V12	600 mm	450 mm	
KIA	Mentor II [FX]	01	01	→	08	04	1	V12	530 mm	480 mm	
KIA	Mentor II Hatchback [FX]	01	01	→	08	04	1	V12	530 mm	480 mm	
KIA	Mohave	01	09	→			1	V12	600 mm	500 mm	
KIA	Niro [DE]	10	16	→			1	V12	650 mm	400 mm	
KIA	Opirus [LD]	03	03	→	07	09	1	V12	600 mm	450 mm	
KIA	Optima [TF]	09	11	→			1	V12	600 mm	450 mm	
KIA	Optima [JF]	07	16	→			1	V12	650 mm	450 mm	
KIA	Optima Sports Wagon [JF]	07	16	→			1	V12	650 mm	450 mm	
KIA	Picanto [SA]	05	04	→	01	11	1	V12	550 mm	400 mm	
KIA	Picanto [TA]	05	11	→			1	V12	550 mm	400 mm	
KIA	Picanto [JA]	04	17	→			1	V12	600 mm	350 mm	
KIA	Pregio [TB]	02	97	→	04	04	1	V12	530 mm	450 mm	
KIA		05	04	→	12	12	1	V12	530 mm	480 mm	
KIA	Pride [DA]	05	90	→	02	00	1	V12	450 mm	450 mm	
KIA	Pro Cee'd [ED/FF2]	10	07	→	06	09	3	3H-2	600 mm	450 mm	19 mm
KIA		07	09	→	12	12	1	V12	600 mm	450 mm	
KIA	Pro Cee'd [JD]	01	13	→			1	V12	650 mm	350 mm	
KIA	Pro Cee'd [CD]	03	19	→			1	V12	650 mm	400 mm	
KIA	Retona [CE]	04	98	→	12	00	1	V12	350 mm	350 mm	
KIA	Rio [DC]	07	00	→	02	05	1	V12	530 mm	450 mm	
KIA	Rio [DE]	03	05	→			1	V12	550 mm	400 mm	
KIA	Rio [UB]	06	11	→			1	V12	650 mm	400 mm	
KIA	Rio Hatchback [DE]	03	05	→	09	11	1	V12	550 mm	400 mm	
KIA	Rio Hatchback [UB]	06	11	→			1	V12	650 mm	400 mm	
KIA	Rio Hatchback [YB]	02	17	→			1	V12	650 mm	400 mm	
KIA	Rio Kombi [DC]	09	02	→	02	05	1	V12	530 mm	450 mm	
KIA	Rio Sedan	07	17	→			1	V12	600 mm	400 mm	
KIA	Rio X-Line	07	17	→			1	V12	600 mm	400 mm	

MARKA	MODEL	MIESIĄC	ROK	→	MIESIĄC	ROK	RAMIE WYCIERACZKI	ADAPTOR	KIEROWCA	PASAŻER	ROZMIAR
KIA	Sedona	06	98	→	09	05	1	V12	600 mm	600 mm	
KIA	Sephia I [FA]	01	92	→	12	00	1	V12	530 mm	480 mm	
KIA	Sephia I Hatchback [FA]	09	96	→	12	00	1	V12	530 mm	480 mm	
KIA	Shuma I [FB]	01	98	→	12	00	1	V12	530 mm	480 mm	
KIA	Shuma I Hatchback [FB]	01	98	→	12	00	1	V12	530 mm	480 mm	
KIA	Shuma II [FB]	01	01	→	08	04	1	V12	530 mm	480 mm	
KIA	Shuma II Hatchback [FB]	01	01	→	08	04	1	V12	530 mm	480 mm	
KIA	Sorento [JC]	07	02	→	08	09	1	V12	600 mm	450 mm	
KIA	Sorento [XM]	09	09	→			1	V12	600 mm	500 mm	
KIA	Sorento [UM]	02	15	→			1	V12	650 mm	400 mm	
KIA	Soul [AM; PS]	02	09	→			1	V12	600 mm	500 mm	
KIA	Stinger [CK]	05	17	→			1	V12	650 mm	450 mm	
KIA	Stonic [YB]	09	17	→			1	V12	650 mm	400 mm	
KIA	Spectra	01	01	→	12	09	1	V12	530 mm	500 mm	
KIA	Sportage [JA]	05	93	→	08	04	1	V12	500 mm	500 mm	
KIA	Sportage [JE]	09	04	→	05	10	1	V12	600 mm	400 mm	
KIA	Sportage [SL]	07	10	→			1	V12	600 mm	450 mm	
KIA	Sportage [QL]	01	16	→			1	V12	650 mm	400 mm	
KIA	Venga	12	09	→			3	3H-2	650 mm	330 mm	19 mm
LADA	Forma	09	91	→	12	00	1	V12	500 mm	500 mm	
LADA	Granta	01	12	→			1	V12	600 mm	400 mm	
LADA		11	14	→			1	V12	600 mm	400 mm	
LADA	Granta Liftback	11	14	→			1	V12	600 mm	400 mm	
LADA	Kalina	11	04	→	02	12	1	V12	600 mm	400 mm	
LADA	Kalina Hatchback	07	06	→	12	12	1	V12	600 mm	400 mm	
LADA	Kalina II Hatchback	06	13	→			1	V12	600 mm	400 mm	
LADA	Kalina II Hatchback	09	17	→			1	V12	600 mm	400 mm	
LADA	Kalina Kombi	07	07	→	08	17	1	V12	600 mm	400 mm	
LADA		09	17	→			1	V12	600 mm	400 mm	
LADA	Kalina Nova	06	13	→	08	17	1	V12	600 mm	400 mm	

MARKA	MODEL	MIESIĄC	ROK	→	MIESIĄC	ROK	RAMIE WYCIERACZKI	ADAPTOR	KIEROWCA	PASAŻER	ROZMIAR
LADA		09	17	→			1	V12	600 mm	400 mm	
LADA	Kalina Sport	08	08	→	08	17	1	V12	600 mm	400 mm	
LADA		09	17	→			1	V12	600 mm	400 mm	
LADA	Largus [R90]	04	12	→			1	V12	500 mm	500 mm	
LADA	Niva (4x4)	12	76	→	12	04	1	V12	350 mm	350 mm	
LADA	Oka	01	88	→	12	08	1	V12	500 mm		
LADA	Priora	11	06	→			1	V12	500 mm	500 mm	
LADA	Priora Coupé	01	10	→	12	15	1	V12	500 mm	500 mm	
LADA	Priora Hatchback	01	08	→	12	15	1	V12	500 mm	500 mm	
LADA	Priora Kombi	01	08	→	12	15	1	V12	500 mm	500 mm	
LADA	Samara	01	84	→	12	13	1	V12	530 mm	530 mm	
LADA	Samara Hatchback	01	84	→	12	13	1	V12	530 mm	530 mm	
LADA	Serie 110	01	96	→	12	10	1	V12	500 mm	500 mm	
LADA	Serie 111	01	96	→	12	09	1	V12	500 mm	500 mm	
LADA	Serie 112	01	96	→	12	08	1	V12	500 mm	500 mm	
LADA	Serie 114	12	08	→	12	13	1	V12	500 mm	500 mm	
LADA	Serie 115	01	98	→	12	13	1	V12	500 mm	500 mm	
LADA	Serie 2100	09	75	→	12	13	1	V12	350 mm	350 mm	
LADA	Serie 2100 Kombi	01	88	→	12	00	1	V12	350 mm	350 mm	
LADA	Serie 2113	01	07	→	12	13	1	V12	500 mm	500 mm	
LADA	Serie 2114	10	01	→	12	13	1	V12	500 mm	500 mm	
LADA	Serie 2115	01	07	→	12	13	1	V12	500 mm	500 mm	
LADA	Serie 2120	01	97	→	12	06	1	V12	500 mm	500 mm	
LADA	Serie 21000	01	82	→	12	12	1	V12	350 mm	350 mm	
LADA	Serie 21000 Kombi	06	03	→	12	05	1	V12	350 mm	350 mm	
LADA	Serie 21099	01	90	→	01	04	1	V12	530 mm	530 mm	
LADA	Toscana	01	86	→	12	00	1	V12	350 mm	350 mm	
LADA	Vesta	11	15	→			1	V12	600 mm	450 mm	
LADA	Vesta SW	11	17	→			1	V12	600 mm	450 mm	
LADA	4x4	06	07	→			1	V12	350 mm	350 mm	

MARKA	MODEL	MIESIĄC	ROK	→	MIESIĄC	ROK	RAMIE WYCIERACZKI	ADAPTOR	KIEROWCA	PASAŻER	ROZMIAR
LANCIA	Dedra Berlina [835]	01	89	→	10	99	1	V12	530 mm	480 mm	
LANCIA	Delta [836]	06	93	→	12	99	1	V12	530 mm	480 mm	
LANCIA	Delta [844]	07	08	→	12	14	3	3H-2	600 mm	450 mm	19 mm
LANCIA	Flavia	03	12	→	12	13	1	V12	600 mm	550 mm	
LANCIA	Kappa Berlina [838]	11	94	→	12	00	1	V12	600 mm	500 mm	
LANCIA	Kappa Coupé [838]	04	97	→	06	00	1	V12	600 mm	500 mm	
LANCIA	Kappa Station Wagon [838]	11	94	→	12	00	1	V12	600 mm	500 mm	
LANCIA	Lybra Berlina [839]	10	99	→	11	06	1	V12	550 mm	500 mm	
LANCIA	Lybra Station Wagon [839]	10	99	→	11	06	1	V12	550 mm	500 mm	
LANCIA	Musa [184]	10	04	→	01	06	1	V12	550 mm	400 mm	
LANCIA		02	06	→	09	07	1	V12	550 mm	380 mm	
LANCIA		10	07	→	12	12	3	3H-2	550 mm	380 mm	19 mm
LANCIA	Phedra [180]	09	02	→	09	05	1	V12	650 mm	650 mm	
LANCIA		10	05	→	12	10	1	V12	650 mm	650 mm	
LANCIA	Thema	11	11	→	12	14	1	V12	600 mm	530 mm	
LANCIA	Thesis [841]	04	02	→	12	09	1	V12	650 mm	500 mm	
LANCIA	Voyager [RT]	09	11	→	12	16	1	V12	650 mm	500 mm	
LANCIA	Y [840]	01	96	→	06	03	1	V12	550 mm	400 mm	
LANCIA	Ypsilon [843]	06	03	→	11	11	1	V12	600 mm	400 mm	
LANCIA	Ypsilon [312,846]	06	11	→			3	3H-2	600 mm	380 mm	19 mm
LANCIA	ZETA [122]	09	94	→	06	02	1	V12	650 mm	500 mm	
LAND ROVER	Defender	08	90	→	02	16	1	V12	350 mm	350 mm	
LAND ROVER	Discovery I	09	89	→	12	99	1	V12	450 mm	450 mm	
LAND ROVER	Discovery III	09	04	→	08	09	1	V12	550 mm	530 mm	
LAND ROVER	Discovery IV	09	09	→	12	17	1	V12	550 mm	530 mm	
LAND ROVER	Discovery Sport [B5]	09	14	→			1	V12	650 mm	500 mm	
LAND ROVER	Freelander I [LN]	09	97	→	10	06	1	V12	550 mm	500 mm	
LAND ROVER	Freelander II [LF]	10	06	→	11	14	6	3D-2	600 mm	480 mm	
LAND ROVER	Range Rover I	11	88	→	04	96	1	V12	450 mm	450 mm	
LAND ROVER	Range Rover II	09	94	→	08	02	1	V12	550 mm	550 mm	

MARKA	MODEL	MIESIĄC	ROK	→	MIESIĄC	ROK	RAMIE WYCIERACZKI	ADAPTOR	KIEROWCA	PASAŻER	ROZMIAR
LAND ROVER	Range Rover IV [LG]	02	13	→	12	16	1	V12	600 mm	500 mm	
LAND ROVER	Range Rover Evoque [LV,L538]	09	11	→			3	3H-2	600 mm	530 mm	19 mm
LAND ROVER	[LZ,L551]	11	18	→			3	3H-2	650 mm	530 mm	16 mm
LAND ROVER	Range Rover Evoque Cabrio	03	16	→			3	3H-2	600 mm	530 mm	19 mm
LAND ROVER	Range Rover Sport I [LS]	03	05	→	08	13	1	V12	550 mm	530 mm	
LAND ROVER	Range Rover Sport II [LW,L494]	09	13	→	07	15	1	V12	600 mm	500 mm	
LAND ROVER		08	15	→	08	16	1	V12	600 mm	500 mm	
LAND ROVER	Range Rover Velar [L560]	08	17	→			3	3H-2	650 mm	480 mm	19 mm
LEXUS	CT200h	12	10	→			1	V12	650 mm	450 mm	
LEXUS	ES [V]	03	06	→	09	12	1	V12	600 mm	480 mm	
LEXUS	ES [V6]	09	12	→			1	V12	650 mm	450 mm	
LEXUS	GS [S]	03	93	→	08	97	1	V12	530 mm	480 mm	
LEXUS		08	97	→	01	12	1	V12	600 mm	500 mm	
LEXUS	GS [L]	01	12	→			1	V12	650 mm	450 mm	
LEXUS	GX 470 [J1]	11	02	→	08	09	1	V12	550 mm	530 mm	
LEXUS	GX 460 [J1]	11	09	→			1	V12	650 mm	500 mm	
LEXUS	IS [E1]	01	99	→	07	05	1	V12	550 mm	480 mm	
LEXUS	IS [E2]	08	05	→	04	13	1	V12	550 mm	500 mm	
LEXUS	IS [E3]	04	13	→			1	V12	600 mm	450 mm	
LEXUS	IS F [E2]	12	07	→	05	14	1	V12	550 mm	500 mm	
LEXUS	IS Wagon [E1]	07	01	→	07	05	1	V12	550 mm	480 mm	
LEXUS	LX [J1]	01	98	→	08	07	1	V12	500 mm	500 mm	
LEXUS	LX [J2]	11	07	→	01	12	1	V12	600 mm	550 mm	
LEXUS		02	12	→			1	V12	600 mm	550 mm	
LEXUS	LC [Z1]	03	17	→			1	V12	650 mm	450 mm	
LEXUS	RC [C1]	09	14	→			1	V12	600 mm	450 mm	
LEXUS	RX [U1]	01	98	→	02	03	1	V12	600 mm	530 mm	
LEXUS	RX [U3]	02	03	→	12	08	1	V12	650 mm	550 mm	
LEXUS	RX [L1]	12	08	→	12	15	1	V12	650 mm	550 mm	
LEXUS	RX [L2]	09	15	→			3	3H-2	650 mm	500 mm	19 mm

MARKA	MODEL	MIESIĄC	ROK	→	MIESIĄC	ROK	RAMIE WYCIERACZKI	ADAPTOR	KIEROWCA	PASAŻER	ROZMIAR
LEXUS	SC Cabrio [Z4]	05	01	→	08	10	1	V12	600 mm	500 mm	
LEXUS	UX	10	18	→			1	V12	650 mm	400 mm	
LOTUS	Elan	09	89	→	09	99	1	V12	550 mm	530 mm	
LOTUS	Elise Cabrio	09	07	→			1	V12	650 mm		
LOTUS	Europa	07	06	→			1	V12	650 mm		
LOTUS	Evora	05	09	→			2	3B	650 mm	650 mm	
LOTUS	Exige	04	06	→			1	V12	650 mm		
MASERATI	Biturbo	03	89	→	12	01	1	V12	500 mm	500 mm	
MASERATI	Karif	04	88	→	12	01	1	V12	500 mm	500 mm	
MASERATI	420	01	87	→	12	01	1	V12	500 mm	500 mm	
MASERATI	430	02	88	→	12	01	1	V12	500 mm	500 mm	
MASERATI	Ghibli [M157]	01	13	→			3	3H-2	650 mm	450 mm	19 mm
MASERATI	Levante	05	16	→			3	3H-2	650 mm	450 mm	19 mm
MASERATI	Quattroporte [M156]	11	12	→			3	3H-2	650 mm	480 mm	19 mm
MAYBACH	Serie 240	09	02	→			2	3B	650 mm	650 mm	
MAZDA	2 [DY]	02	03	→	06	07	1	V12	600 mm	400 mm	
MAZDA	2 [DE]	06	07	→	12	14	1	V12	600 mm	350 mm	
MAZDA	2 [DJ]	10	14	→			1	V12	550 mm	400 mm	
MAZDA	3 [BK]	07	03	→	12	08	2	3B	530 mm	480 mm	
MAZDA	3 [BL]	12	08	→	12	13	1	V12	600 mm	480 mm	
MAZDA	3 [BM;BN]	08	13	→			1	V12	600 mm	450 mm	
MAZDA	3 [BP]	01	19	→			1	V12	650 mm	400 mm	
MAZDA	3 Hatchback [BK]	07	03	→	12	08	2	3B	530 mm	480 mm	
MAZDA	3 Hatchback [BL]	12	08	→	12	13	1	V12	600 mm	480 mm	
MAZDA	3 Hatchback [BM]	07	13	→			1	V12	600 mm	450 mm	
MAZDA	3 Hatchback [BN]	06	16	→			1	V12	600 mm	450 mm	
MAZDA	3 Hatchback [BP]	11	18	→			1	V12	650 mm	400 mm	
MAZDA	5 [CR]	02	05	→	12	10	1	V12	650 mm	400 mm	
MAZDA	5 [CW]	06	10	→			1	V12	650 mm	400 mm	
MAZDA	6 Fastback [GG/GY]	04	02	→	08	08	1	V12	550 mm	480 mm	

MARKA	MODEL	MIESIĄC	ROK	→	MIESIĄC	ROK	RAMIE WYCIERACZKI	ADAPTOR	KIEROWCA	PASAŻER	ROZMIAR
MAZDA	6 Fastback [GH]	08	07	→	12	12	1	V12	600 mm	400 mm	
MAZDA	6 Sedan [GG/GY]	02	02	→	08	07	1	V12	550 mm	480 mm	
MAZDA	6 Sedan [GH]	08	07	→	12	12	1	V12	600 mm	400 mm	
MAZDA	6 Sedan [GJ]	09	12	→			1	V12	600 mm	450 mm	
MAZDA	6 Sedan [GL]	09	12	→	09	18	1	V12	600 mm	450 mm	
MAZDA	6 Wagon [GY]	06	02	→	12	07	1	V12	550 mm	480 mm	
MAZDA	6 Wagon [GH]	12	07	→	12	12	1	V12	600 mm	400 mm	
MAZDA	6 Wagon [GJ]	10	12	→			1	V12	600 mm	450 mm	
MAZDA	6 Wagon [GL]	10	12	→	09	18	1	V12	600 mm	450 mm	
MAZDA	121 [DB]	11	90	→	12	95	1	V12	500 mm	400 mm	
MAZDA	121 [JA/JB]	01	96	→	01	02	1	V12	480 mm	480 mm	
MAZDA	121 [Soho]	01	97	→	12	98	1	V12	450 mm	450 mm	
MAZDA	323 [BJ]	05	98	→	09	03	1	V12	530 mm	450 mm	
MAZDA	323 F Hatchback [BA]	05	94	→	07	98	1	V12	530 mm	450 mm	
MAZDA	323 Hatchback [BA]	06	94	→	09	00	1	V12	530 mm	450 mm	
MAZDA	323 Hatchback [BG]	03	91	→	05	96	1	V12	530 mm	450 mm	
MAZDA	323 Hatchback [BJ]	06	98	→	09	03	1	V12	530 mm	450 mm	
MAZDA	323 Sedan [BA]	06	94	→	06	98	1	V12	530 mm	450 mm	
MAZDA	323 Sedan [BG]	06	89	→	02	97	1	V12	530 mm	450 mm	
MAZDA	323 Wagon [BW]	09	89	→	10	95	1	V12	450 mm	450 mm	
MAZDA	626 [GE]	08	91	→	03	97	1	V12	530 mm	500 mm	
MAZDA	626 [GF]	05	97	→	07	02	1	V12	530 mm	450 mm	
MAZDA	626 Fastback [GF]	08	99	→	04	02	1	V12	530 mm	450 mm	
MAZDA	626 Hatchback [GE]	09	91	→	06	97	1	V12	530 mm	500 mm	
MAZDA	626 Hatchback [GF]	04	97	→	07	02	1	V12	530 mm	450 mm	
MAZDA	626 Wagon [GV]	03	92	→	10	97	1	V12	480 mm	480 mm	
MAZDA	626 Wagon [GW]	10	97	→	04	02	1	V12	530 mm	450 mm	
MAZDA	BT-50 [UN]	03	06	→	07	12	1	V12	450 mm	450 mm	
MAZDA	CX-3 [DK]	02	15	→			1	V12	550 mm	450 mm	
MAZDA	CX-5 [KE]	11	11	→			1	V12	600 mm	450 mm	

MARKA	MODEL	MIESIĄC	ROK	→	MIESIĄC	ROK	RAMIE WYCIERACZKI	ADAPTOR	KIEROWCA	PASAŻER	ROZMIAR
MAZDA	CX-7 [ER]	09	06	→			1	V12	650 mm	400 mm	
MAZDA	CX-9 [TB]	09	06	→	12	15	1	V12	650 mm	400 mm	
MAZDA	Demio [DW]	07	96	→	02	03	1	V12	500 mm	400 mm	
MAZDA	MPV [LV]	07	94	→	04	99	1	V12	550 mm	500 mm	
MAZDA	MPV [LW]	05	99	→	08	04	1	V12	600 mm	550 mm	
MAZDA	MX-3 [EC]	11	93	→	02	98	1	V12	530 mm	450 mm	
MAZDA	MX-5 [NA]	08	89	→	11	97	1	V12	450 mm	450 mm	
MAZDA	MX-5 [NB]	01	98	→	07	05	1	V12	450 mm	450 mm	
MAZDA	MX-5 [NC]	07	05	→	03	15	1	V12	450 mm	450 mm	
MAZDA	MX-5 [ND]	05	15	→			1	V12	450 mm	480 mm	
MAZDA	MX-5 [ND]	05	15	→			1	V12	450 mm	450 mm	
MAZDA	MX-6 [GE]	07	91	→	07	98	1	V12	500 mm	500 mm	
MAZDA	Premacy [CP]	03	99	→	05	05	1	V12	600 mm	400 mm	
MAZDA	RX-7 Coupé [FD]	01	92	→	02	96	1	V12	500 mm	500 mm	
MAZDA	RX-8 [FE/SE]	04	03	→	04	12	1	V12	500 mm	450 mm	
MAZDA	Serie B [UF/UN]	03	93	→	03	06	1	V12	450 mm	450 mm	
MAZDA	Serie E	02	84	→	12	06	1	V12	400 mm	400 mm	
MAZDA	Tribute [EP]	02	01	→	09	09	1	V12	480 mm	480 mm	
MAZDA	Xedos-6 [CA]	01	92	→	02	09	1	V12	530 mm	480 mm	
MAZDA	Xedos-9 [TA]	07	93	→	11	02	1	V12	530 mm	480 mm	
MERCEDES-BENZ	Citan	07	12	→			1	V12	550 mm	530 mm	
MERCEDES-BENZ	Serie A [168]	10	97	→	08	04	1	V12	650 mm	550 mm	
MERCEDES-BENZ	Serie A [169]	09	04	→	06	12	6	3D-2	650 mm	550 mm	
MERCEDES-BENZ	Serie A [176]	06	12	→	06	15	6	3D-2	600 mm	480 mm	
MERCEDES-BENZ	Serie A [176]	06	12	→	06	15	6	3D-2	600 mm	480 mm	
MERCEDES-BENZ	Serie B [245]	04	05	→	05	11	6	3D-2	650 mm	550 mm	
MERCEDES-BENZ	Serie B [246]	09	11	→	06	15	6	3D-2	650 mm	480 mm	
MERCEDES-BENZ	Serie C [202]	03	93	→	08	00	1	V12	600 mm		
MERCEDES-BENZ	Serie C [203]	05	00	→	06	03	1	V12	600 mm		
MERCEDES-BENZ	Serie C [204]	01	07	→	11	08	2	3B	600 mm	600 mm	19 mm



MARKA	MODEL	MIESIĄC	ROK	→	MIESIĄC	ROK	RAMIE WYCIERACZKI	ADAPTOR	KIEROWCA	PASAŻER	ROZMIAR
MERCEDES-BENZ		12	08	→	04	13	2	3B	600 mm	600 mm	
MERCEDES-BENZ		03	13	→	12	14	3	3H-2	600 mm	600 mm	19 mm
MERCEDES-BENZ	Serie C [205]	11	13	→	10	14	6	3D-2	550 mm	550 mm	
MERCEDES-BENZ	Serie C Coupé [204]	03	11	→	04	13	2	3B	600 mm	600 mm	
MERCEDES-BENZ	Serie C (Sportcoupe) [203]	01	01	→	06	03	1	V12	600 mm		
MERCEDES-BENZ	Serie C (T-Modell) [202]	05	96	→	02	01	1	V12	600 mm		
MERCEDES-BENZ	Serie C (T-Modell) [203]	01	01	→	06	03	1	V12	600 mm		
MERCEDES-BENZ	Serie C (T-Modell) [204]	09	07	→	11	08	2	3B	600 mm	600 mm	19 mm
MERCEDES-BENZ		12	08	→	04	13	2	3B	600 mm	600 mm	
MERCEDES-BENZ		03	13	→	12	14	3	3H-2	600 mm	600 mm	19 mm
MERCEDES-BENZ	Serie C (T-Modell) [205]	05	14	→	10	14	6	3D-2	550 mm	550 mm	
MERCEDES-BENZ	Serie CL (Coupé) [215]	03	00	→	08	06	2	3B	650 mm	650 mm	
MERCEDES-BENZ	Serie CL (Coupé) [216]	06	06	→			2	3B	650 mm	650 mm	
MERCEDES-BENZ	Serie CLA [117]	12	12	→	06	15	6	3D-2	600 mm	480 mm	
MERCEDES-BENZ	Serie CLA Shooting Brake [117]	01	15	→	06	15	6	3D-2	600 mm	480 mm	
MERCEDES-BENZ	Serie CLK (Cabrio) [208]	09	96	→	01	03	1	V12	550 mm		
MERCEDES-BENZ	Serie CLK (Coupé) [208]	01	97	→	09	02	1	V12	550 mm		
MERCEDES-BENZ	Serie CLS [219]	06	04	→	02	11	2	3B	650 mm	650 mm	
MERCEDES-BENZ	Serie CLS Coupé [218]	07	10	→	02	14	2	3B	600 mm	600 mm	
MERCEDES-BENZ		03	14	→			3	3H-2	600 mm	600 mm	19 mm
MERCEDES-BENZ	Serie CLS Shooting Brake [218]	06	12	→	02	14	2	3B	600 mm	600 mm	
MERCEDES-BENZ		03	14	→			3	3H-2	600 mm	600 mm	19 mm
MERCEDES-BENZ	Serie E [124]	07	93	→	07	95	1	V12	600 mm		
MERCEDES-BENZ	Serie E [210]	06	95	→	08	03	1	V12	600 mm		
MERCEDES-BENZ	Serie E [211]	03	02	→	08	09	2	3B	650 mm	650 mm	
MERCEDES-BENZ	Serie E [212]	08	08	→	02	14	2	3B	600 mm	600 mm	
MERCEDES-BENZ		03	14	→			3	3H-2	600 mm	600 mm	19 mm
MERCEDES-BENZ	Serie E (Cabrio) [124]	05	93	→	06	98	1	V12	600 mm		
MERCEDES-BENZ	Serie E (Cabrio) [207]	01	10	→	04	13	2	3B	600 mm	600 mm	
MERCEDES-BENZ		01	13	→			3	3H-2	600 mm	600 mm	19 mm

MARKA	MODEL	MIESIĄC	ROK	→	MIESIĄC	ROK	RAMIE WYCIERACZKI	ADAPTOR	KIEROWCA	PASAŻER	ROZMIAR
MERCEDES-BENZ	Serie E (Coupé) [124]	07	93	→	06	98	1	V12	600 mm		
MERCEDES-BENZ	Serie E (Coupé) [207]	02	09	→	04	13	2	3B	600 mm	600 mm	
MERCEDES-BENZ		01	13	→			3	3H-2	600 mm	600 mm	19 mm
MERCEDES-BENZ	Serie E (T-Modell) [124]	07	93	→	05	96	1	V12	600 mm		
MERCEDES-BENZ	Serie E (T-Modell) [210]	05	96	→	02	03	1	V12	600 mm		
MERCEDES-BENZ	Serie E (T-Modell) [211]	02	03	→	08	09	2	3B	650 mm	650 mm	
MERCEDES-BENZ	Serie E (T-Modell) [212]	08	09	→	02	14	2	3B	600 mm	600 mm	
MERCEDES-BENZ		03	14	→	08	16	3	3H-2	600 mm	600 mm	19 mm
MERCEDES-BENZ	Serie G [463]	09	89	→			1	V12	400 mm	400 mm	
MERCEDES-BENZ	Serie GL [164]	02	06	→	12	12	6	3D-2	700 mm	530 mm	
MERCEDES-BENZ	Serie GL [166]	08	12	→	09	15	3	3H-2	650 mm	550 mm	19 mm
MERCEDES-BENZ	Serie GLA [156]	10	13	→	06	15	6	3D-2	600 mm	480 mm	
MERCEDES-BENZ	Serie GLE [166]	04	15	→			3	3H-2	650 mm	550 mm	19 mm
MERCEDES-BENZ	Serie GLE (Coupé) [292]	04	15	→			3	3H-2	650 mm	550 mm	19 mm
MERCEDES-BENZ	Serie GLK [204]	06	08	→	01	14	2	3B	550 mm	450 mm	
MERCEDES-BENZ		02	14	→			3	3H-2	550 mm	450 mm	19 mm
MERCEDES-BENZ	Serie GLS [166]	09	15	→			3	3H-2	650 mm	550 mm	19 mm
MERCEDES-BENZ	Serie MB	01	87	→	01	96	1	V12	450 mm	450 mm	
MERCEDES-BENZ	Serie ML [163]	03	98	→	06	05	1	V12	550 mm	530 mm	
MERCEDES-BENZ	Serie ML [164]	03	05	→	08	11	6	3D-2	700 mm	530 mm	
MERCEDES-BENZ	Serie ML [166]	06	11	→	08	11	6	3D-2	700 mm	530 mm	
MERCEDES-BENZ		09	11	→	04	15	3	3H-2	650 mm	550 mm	19 mm
MERCEDES-BENZ	Serie R [251]	09	05	→	10	12	6	3D-2	700 mm	530 mm	
MERCEDES-BENZ	Serie S [220]	03	00	→	08	06	2	3B	650 mm	650 mm	
MERCEDES-BENZ	Serie S [221]	09	05	→	12	13	2	3B	650 mm	650 mm	
MERCEDES-BENZ	Serie S [222]	05	13	→			6	3D-2	650 mm	550 mm	
MERCEDES-BENZ	Serie SL [129]	03	89	→	08	01	1	V12	550 mm		
MERCEDES-BENZ	Serie SL [230]	10	01	→	11	12	2	3B	650 mm	650 mm	
MERCEDES-BENZ	Serie SLC [172]	12	15	→			6	3D-2	550 mm	550 mm	
MERCEDES-BENZ	Serie SLK [170]	09	96	→	03	04	1	V12	550 mm	530 mm	

MARKA	MODEL	MIESIĄC	ROK	→	MIESIĄC	ROK	RAMIE WYCIERACZKI	ADAPTOR	KIEROWCA	PASAŻER	ROZMIAR
MERCEDES-BENZ	Serie SLK [171]	04	04	→	02	11	6	3D-2	550 mm	550 mm	
MERCEDES-BENZ	Serie SLK [172]	01	11	→	12	15	6	3D-2	550 mm	550 mm	
MERCEDES-BENZ	Serie SLR [199]	04	04	→	12	09	2	3B	650 mm	650 mm	
MERCEDES-BENZ	Serie V [638TON]	04	96	→	09	03	1	V12	650 mm	550 mm	
MERCEDES-BENZ	Serie X [470]	09	17	→			1	V12	600 mm	400 mm	
MERCEDES-BENZ	Serie 190 [201]	08	87	→	09	93	1	V12	550 mm		
MERCEDES-BENZ	Sprinter [T1N]	02	95	→	05	06	1	V12	600 mm	530 mm	
MERCEDES-BENZ	Sprinter [NCV3]	04	06	→			6	3D-2	650 mm	600 mm	
MERCEDES-BENZ	Sprinter Classic [909]	11	13	→			1	V12	600 mm	530 mm	
MERCEDES-BENZ	Vaneo [414]	02	02	→	01	04	1	V12	650 mm	550 mm	
MERCEDES-BENZ		02	04	→	08	05	6	3D-2	650 mm	550 mm	
MERCEDES-BENZ	Viano [639TON]	09	03	→	08	05	1	V12	700 mm	650 mm	
MERCEDES-BENZ		09	05	→	08	10	6	3D-2	700 mm	650 mm	
MERCEDES-BENZ		09	10	→	12	14	6	3D-2	700 mm	650 mm	
MERCEDES-BENZ	Vito [638TON]	11	95	→	09	03	1	V12	650 mm	550 mm	
MERCEDES-BENZ	Vito [639TON]	10	03	→	08	05	1	V12	700 mm	650 mm	
MERCEDES-BENZ		09	05	→	08	10	6	3D-2	700 mm	650 mm	
MERCEDES-BENZ		09	10	→	12	14	6	3D-2	700 mm	650 mm	
MG	MG 6	11	10	→			6	3D-2	600 mm	450 mm	
MG	MGF	10	95	→	03	02	1	V12	500 mm	500 mm	
MG	MGTF	03	02	→			1	V12	500 mm	500 mm	
MG	ZR	10	01	→	05	05	1	V12	450 mm	450 mm	
MG	ZS	10	01	→	05	05	1	V12	500 mm	450 mm	
MG	ZT	10	01	→	05	05	1	V12	550 mm	530 mm	
MG	ZT-Tourer	10	01	→	05	05	1	V12	550 mm	530 mm	
MIA Eletric	mia 18 kW	02	12	→			1	V12	400 mm	400 mm	
MINI (BMW)	Mini [R50,R53]	06	01	→	07	04	1	V12	450 mm	450 mm	
MINI (BMW)		08	04	→	11	06	1	V12	450 mm	450 mm	
MINI (BMW)	Mini [R56]	11	06	→	03	12	1	V12	450 mm	450 mm	
MINI (BMW)	Mini [F55,F56]	09	13	→			1	V12	450 mm	480 mm	

MARKA	MODEL	MIESIĄC	ROK	→	MIESIĄC	ROK	RAMIE WYCIERACZKI	ADAPTOR	KIEROWCA	PASAŻER	ROZMIAR
MINI (BMW)	Mini Cabrio [R52,R57]	07	04	→	03	12	1	V12	450 mm	450 mm	
MINI (BMW)	Mini Cabrio [F57]	03	16	→			1	V12	450 mm	480 mm	
MINI (BMW)	Mini Clubman [R55]	11	07	→	03	12	1	V12	450 mm	450 mm	
MINI (BMW)	Mini Clubman [F54]	09	15	→			3	3H-2	550 mm	500 mm	16 mm
MINI (BMW)	Mini Countryman [R60]	09	10	→	10	16	6	3D-2	480 mm	500 mm	
MINI (BMW)	Mini Coupé [R58]	09	11	→			6	3D-2	500 mm	500 mm	
MINI (BMW)	Mini Coupé Roadster [R59]	02	12	→			6	3D-2	500 mm	500 mm	
MINI (BMW)	Mini Paceman [R61]	03	13	→	09	16	6	3D-2	480 mm	500 mm	
MITSUBISHI	ASX [GA]	04	10	→			1	V12	600 mm	530 mm	
MITSUBISHI	Attrage [A1]	03	18	→			1	V12	550 mm	350 mm	
MITSUBISHI	Canter [FE]	10	96	→	10	00	1	V12	500 mm	500 mm	
MITSUBISHI	Carisma [DA]	05	96	→	12	03	1	V12	530 mm	500 mm	
MITSUBISHI	Carisma Hatchback [DA]	05	95	→	12	03	1	V12	530 mm	500 mm	
MITSUBISHI	Colt [CA/CC;C5]	04	88	→	12	96	1	V12	500 mm	450 mm	
MITSUBISHI	Colt [CJ]	11	95	→	06	03	1	V12	530 mm	480 mm	
MITSUBISHI	Colt [CZ]	04	04	→	09	08	1	V12	650 mm	12"	
MITSUBISHI		10	08	→	04	13	1	V12	600 mm	350 mm	
MITSUBISHI	Colt Cabrio [CZ]	03	06	→	07	08	1	V12	650 mm	12"	
MITSUBISHI	Eclipse Cross [GK]	10	17	→			1	V12	600 mm	500 mm	
MITSUBISHI	Galant [E5...8]	11	92	→	10	96	1	V12	530 mm	480 mm	
MITSUBISHI	Galant [EA]	10	96	→	05	03	1	V12	530 mm	450 mm	
MITSUBISHI	Galant	09	04	→	08	12	1	V12	650 mm	480 mm	
MITSUBISHI	Galant Fortis Sportback	12	08	→	12	09	1	V12	600 mm	400 mm	
MITSUBISHI	Galant Hatchback [E5...8]	11	92	→	10	96	1	V12	530 mm	480 mm	
MITSUBISHI	Galant Station Wagon [EA]	10	96	→	09	02	1	V12	530 mm	450 mm	
MITSUBISHI	Galloper	05	98	→	12	01	1	V12	450 mm	450 mm	
MITSUBISHI	Grandis	02	08	→	11	10	1	V12	700 mm	550 mm	
MITSUBISHI	i-Miev	10	10	→			1	V12	700 mm		
MITSUBISHI	L 200 [K0/K1/K2/K3]	10	86	→	03	01	1	V12	400 mm	400 mm	
MITSUBISHI	L 200 [K6/K7]	01	96	→	12	07	1	V12	480 mm	480 mm	

MARKA	MODEL	MIESIĄC	ROK	→	MIESIĄC	ROK	RAMIE WYCIERACZKI	ADAPTOR	KIEROWCA	PASAŻER	ROZMIAR
MITSUBISHI	L 200 [KB]	12	05	→	10	09	1	V12	530 mm	480 mm	
MITSUBISHI	L 200 [KA,KB]	11	09	→			1	V12	550 mm	450 mm	
MITSUBISHI	L 200 [KL,KK]	02	15	→			1	V12	550 mm	450 mm	
MITSUBISHI	L 200 Forte [K7]	01	96	→			1	V12	480 mm	480 mm	
MITSUBISHI	L 300 [P]	12	87	→	12	01	1	V12	450 mm	450 mm	
MITSUBISHI	L 300 Exceed	02	00	→			1	V12	400 mm	400 mm	
MITSUBISHI	Lancer [C6/C7]	04	88	→	07	95	1	V12	500 mm	450 mm	
MITSUBISHI	Lancer [CA/CB/CD]	12	91	→	12	96	1	V12	500 mm	450 mm	
MITSUBISHI	Lancer [CK/CP/CN]	11	95	→	05	01	1	V12	530 mm	480 mm	
MITSUBISHI	Lancer [CS/CT]	12	00	→	04	10	1	V12	600 mm	450 mm	
MITSUBISHI	Lancer [CY/CZ]	03	07	→			1	V12	600 mm	400 mm	
MITSUBISHI	Lancer Hatchback [C6/C7]	06	92	→	07	95	1	V12	500 mm	450 mm	
MITSUBISHI	Lancer Sedan [CA/CB/CD]	01	93	→	12	96	1	V12	500 mm	450 mm	
MITSUBISHI	Lancer Sedan [CK/CP/CN]	05	96	→	05	01	1	V12	530 mm	480 mm	
MITSUBISHI	Lancer Sportback [CX]	07	08	→	08	17	1	V12	600 mm	400 mm	
MITSUBISHI	Lancer Station Wagon [CA/CB/CD]	06	92	→	09	00	1	V12	500 mm	450 mm	
MITSUBISHI	Lancer Station Wagon [CS/CT]	06	03	→	06	08	1	V12	600 mm	450 mm	
MITSUBISHI	Mirage [A0]	08	12	→			1	V12	550 mm	350 mm	
MITSUBISHI	Montero [V]	12	90	→	06	00	1	V12	480 mm	480 mm	
MITSUBISHI	Montero [V60,V70]	02	00	→	08	06	1	V12	500 mm	500 mm	
MITSUBISHI	Montero [V80,V90]	09	06	→	07	09	1	V12	550 mm	500 mm	
MITSUBISHI	Montero [V80,V90]	08	09	→			1	V12	550 mm	500 mm	
MITSUBISHI	Outlander [CU]	02	03	→	09	07	1	V12	550 mm	480 mm	
MITSUBISHI	Outlander [CW]	02	07	→	12	12	1	V12	600 mm	530 mm	
MITSUBISHI	Outlander [GF]	04	12	→			1	V12	650 mm	450 mm	
MITSUBISHI	Pajero [V]	12	90	→	06	00	1	V12	480 mm	480 mm	
MITSUBISHI	Pajero [V60,V70]	02	00	→	08	06	1	V12	500 mm	500 mm	
MITSUBISHI	Pajero [V80,V90]	09	06	→	07	09	1	V12	550 mm	500 mm	
MITSUBISHI	Pajero [V80,V90]	08	09	→			1	V12	550 mm	500 mm	
MITSUBISHI	Pajero Cabrio [V]	12	90	→	05	01	1	V12	480 mm	480 mm	

MARKA	MODEL	MIESIĄC	ROK	→	MIESIĄC	ROK	RAMIE WYCIERACZKI	ADAPTOR	KIEROWCA	PASAŻER	ROZMIAR
MITSUBISHI	Pajero IO	03	98	→	06	00	1	V12	480 mm	480 mm	
MITSUBISHI	Pajero Pinin [H]	10	99	→	02	06	1	V12	480 mm	480 mm	
MITSUBISHI	Pajero Sport [K]	07	96	→	02	09	1	V12	500 mm	500 mm	
MITSUBISHI	Pajero Sport [KH]	07	08	→			1	V12	550 mm	450 mm	
MITSUBISHI	Pajero Sport [KS]	12	15	→			1	V12	550 mm	450 mm	
MITSUBISHI	Sigma	12	90	→	03	96	1	V12	530 mm	480 mm	
MITSUBISHI	Space Runner	06	91	→	08	02	1	V12	530 mm	450 mm	
MITSUBISHI	Space Star [DG]	06	98	→	12	04	1	V12	530 mm	450 mm	
MITSUBISHI	Space Star [A0]	11	12	→			1	V12	550 mm	350 mm	
MITSUBISHI	Space Wagon [N3]	06	92	→	11	00	1	V12	550 mm	500 mm	
MITSUBISHI	Space Wagon [N9]	07	98	→	01	04	1	V12	600 mm	400 mm	
MITSUBISHI	3000 GT	06	92	→	12	00	1	V12	530 mm	500 mm	
NISSAN	Almera (Classic) [B10]	01	06	→	11	12	1	V12	550 mm	400 mm	
NISSAN	Almera [G15RA]	11	12	→			1	V12	550 mm	400 mm	
NISSAN	Almera Hatchback [N15]	07	95	→	04	00	1	V12	530 mm	480 mm	
NISSAN	Almera Hatchback [N16E]	01	00	→	09	02	1	V12	550 mm	400 mm	
NISSAN		10	02	→	11	06	1	V12	550 mm	400 mm	
NISSAN	Almera Sedan [N15]	07	95	→	04	00	1	V12	530 mm	480 mm	
NISSAN	Almera Sedan [N16;N16E]	04	00	→	11	06	1	V12	550 mm	400 mm	
NISSAN	Almera Tino [V10M]	05	00	→	12	05	1	V12	650 mm	450 mm	
NISSAN	Altima [L32/CL32]	11	06	→			1	V12	650 mm	400 mm	
NISSAN	Cabstar [TLO]	10	98	→	08	06	1	V12	450 mm	450 mm	
NISSAN	Cabstar [F24]	09	06	→			1	V12	500 mm	500 mm	
NISSAN	Cube [Z12]	08	09	→	03	11	1	V12	500 mm	500 mm	
NISSAN	Evalia [M20M]	01	11	→			1	V12	550 mm	400 mm	
NISSAN	Interstar [X70]	07	02	→	06	10	1	V12	600 mm	600 mm	
NISSAN	Juke [F15]	07	10	→	03	17	1	V12	550 mm	350 mm	
NISSAN		04	17	→			6	3D-2	600 mm	330 mm	
NISSAN	Kubistar [X76]	07	03	→	03	09	1	V12	500 mm	500 mm	
NISSAN	Leaf [ZE0E]	10	10	→			1	V12	650 mm	400 mm	

MARKA	MODEL	MIESIĄC	ROK	→	MIESIĄC	ROK	RAMIE WYCIERACZKI	ADAPTOR	KIEROWCA	PASAŻER	ROZMIAR
NISSAN	Leaf [ZE1E]	01	18	→			1	V12	650 mm	400 mm	
NISSAN	Maxima [A34]	02	03	→	05	08	1	V12	650 mm	400 mm	
NISSAN	Maxima [A35]	09	08	→			1	V12	650 mm	400 mm	
NISSAN	Maxima QX [A32]	10	94	→	01	00	1	V12	530 mm	530 mm	
NISSAN	Maxima QX [CA33]	01	00	→	01	06	1	V12	650 mm	450 mm	
NISSAN	Micra [K11E]	08	92	→	07	00	1	V12	500 mm	450 mm	
NISSAN		07	00	→	10	02	1	V12	500 mm	450 mm	
NISSAN	Micra [K12E]	11	02	→	05	05	1	V12	530 mm	450 mm	
NISSAN		06	05	→	10	10	1	V12	530 mm	450 mm	
NISSAN	Micra [K13K]	07	10	→			1	V12	530 mm	350 mm	
NISSAN	Micra [K14FR]	01	17	→			1	V12	650 mm	350 mm	
NISSAN	Micra CC [K12E]	09	05	→	10	10	1	V12	530 mm	450 mm	
NISSAN	Murano [Z50]	09	02	→	12	08	1	V12	650 mm	450 mm	
NISSAN	Murano [Z51]	06	08	→	08	12	1	V12	650 mm	400 mm	
NISSAN		09	12	→			1	V12	650 mm	400 mm	
NISSAN	Murano [Z52R]	06	16	→			1	V12	650 mm	450 mm	
NISSAN	Navara [D22]	06	00	→			1	V12	480 mm	480 mm	
NISSAN	Navara [D40;D40M;D40T]	05	05	→			1	V12	600 mm	480 mm	
NISSAN	Navara [D23M]	11	15	→			1	V12	600 mm	400 mm	
NISSAN	Note [E11;E11E]	01	05	→	08	14	1	V12	600 mm	350 mm	
NISSAN	Note [E12]	08	13	→			1	V12	650 mm	12"	
NISSAN	NP200	10	08	→			1	V12	500 mm	500 mm	
NISSAN	NP300 [D22]	09	08	→			1	V12	480 mm	480 mm	
NISSAN	NV200 [M20;M20M]	08	09	→			1	V12	550 mm	400 mm	
NISSAN	NV300 [X82]	09	16	→			3	3H-2	650 mm	480 mm	19 mm
NISSAN	NV400 [X62]	09	11	→			1	V12	650 mm	650 mm	
NISSAN	Pathfinder [R50]	10	97	→	10	04	1	V12	550 mm	500 mm	
NISSAN	Pathfinder [R51]	01	05	→	11	14	1	V12	600 mm	480 mm	
NISSAN	Pathfinder [R52R]	09	14	→			1	V12	650 mm	400 mm	
NISSAN	Patrol [260]	04	89	→	12	05	1	V12	480 mm	480 mm	

MARKA	MODEL	MIESIĄC	ROK	→	MIESIĄC	ROK	RAMIE WYCIERACZKI	ADAPTOR	KIEROWCA	PASAŻER	ROZMIAR
NISSAN	Patrol GR [Y60]	09	88	→	09	97	1	V12	480 mm	480 mm	
NISSAN	Patrol GR [Y61]	10	97	→	03	10	1	V12	500 mm	500 mm	
NISSAN	Patrol [Y62]	03	10	→			1	V12	600 mm	450 mm	
NISSAN	Pickup [D21]	08	87	→	02	98	1	V12	480 mm	480 mm	
NISSAN	Pickup [D22]	02	97	→			1	V12	480 mm	480 mm	
NISSAN	Pixo Hatchback [UA0]	03	09	→	08	13	1	V12	550 mm	350 mm	
NISSAN	Primastar [X83]	07	02	→			1	V12	600 mm	530 mm	
NISSAN	Primera Hatchback [P10E]	06	90	→	06	96	1	V12	530 mm	480 mm	
NISSAN	Primera Hatchback [P11E]	06	96	→	12	01	1	V12	530 mm	500 mm	
NISSAN	Primera Hatchback [P12E]	05	02	→	09	10	1	V12	650 mm	480 mm	
NISSAN	Primera Sedan [P10E]	06	90	→	06	96	1	V12	530 mm	480 mm	
NISSAN	Primera Sedan [P11E]	06	96	→	12	01	1	V12	530 mm	500 mm	
NISSAN	Primera Sedan [P12E]	12	01	→	09	10	1	V12	650 mm	480 mm	
NISSAN	Primera Wagon [W10]	07	90	→	12	97	1	V12	530 mm	480 mm	
NISSAN	Primera Wagon [P11E]	01	98	→	12	00	1	V12	530 mm	500 mm	
NISSAN	Primera Wagon [P11E]	12	00	→	12	01	1	V12	530 mm	500 mm	
NISSAN	Primera Wagon [P12E]	12	01	→	09	10	1	V12	650 mm	480 mm	
NISSAN	Pulsar [N16]	12	99	→	07	09	1	V12	550 mm	400 mm	
NISSAN	Pulsar [N15]	01	95	→	08	00	1	V12	500 mm	450 mm	
NISSAN	Pulsar [C13]	07	14	→			3	3H-2	650 mm	330 mm	19 mm
NISSAN	Pulsar Hatchback [N15]	01	95	→	08	00	1	V12	500 mm	450 mm	
NISSAN	Qashqai [J10]	12	06	→	12	13	6	3D-2	600 mm	380 mm	
NISSAN	Qashqai [J11E;J11R]	12	13	→			1	V12	650 mm	400 mm	
NISSAN	Qashqai+2 [JJ10]	08	08	→	12	13	6	3D-2	600 mm	380 mm	
NISSAN	Sentra [N16]	12	99	→	07	09	1	V12	550 mm	400 mm	
NISSAN	Sentra [B17R;B17RR]	09	14	→			3	3H-2	650 mm	330 mm	19 mm
NISSAN	Serena [C23M]	07	92	→	11	01	1	V12	600 mm	600 mm	
NISSAN	Sunny	10	98	→	10	04	1	V12	550 mm	400 mm	
NISSAN	Sunny Hatchback [N14]	10	90	→	05	95	1	V12	530 mm	480 mm	
NISSAN	Sunny Liftback [N14]	10	90	→	05	95	1	V12	530 mm	480 mm	



MARKA	MODEL	MIESIĄC	ROK	→	MIESIĄC	ROK	RAMIE WYCIERACZKI	ADAPTOR	KIEROWCA	PASAŻER	ROZMIAR
NISSAN	Sunny Sedan [N14]	10	90	→	05	95	1	V12	530 mm	480 mm	
NISSAN	Sunny Wagon [Y10]	11	90	→	03	00	1	V12	530 mm	480 mm	
NISSAN	Sunny Neo [N18]	07	02	→			1	V12	550 mm	400 mm	
NISSAN	Teana [J31;L41F]	02	03	→			1	V12	600 mm	480 mm	
NISSAN	Teana [J32;J32R]	02	08	→			1	V12	650 mm	400 mm	
NISSAN	Terrano I	11	88	→	08	95	1	V12	480 mm	480 mm	
NISSAN	Terrano I [WD21]	09	95	→	12	06	1	V12	530 mm	500 mm	
NISSAN	Terrano II [R20]	02	93	→	10	99	1	V12	530 mm	500 mm	
NISSAN		11	99	→			1	V12	530 mm	500 mm	
NISSAN	Terrano [HS]	10	13	→	09	14	1	V12	500 mm	500 mm	
NISSAN	Terrano [D10]	03	14	→	11	14	1	V12	500 mm	500 mm	
NISSAN		10	14	→	11	16	1	V12	600 mm	450 mm	
NISSAN	Tiida [C11]	02	07	→			1	V12	600 mm	350 mm	
NISSAN	Tiida [C13R]	04	15	→			3	3H-2	650 mm	330 mm	19 mm
NISSAN	Tiida Hatchback [C11]	03	07	→			1	V12	600 mm	350 mm	
NISSAN	Tiida Latio [SC11]	08	05	→	08	10	1	V12	600 mm	350 mm	
NISSAN	Trade	03	87	→	12	00	1	V12	500 mm	500 mm	
NISSAN	Urvan [E24]	11	86	→	06	97	1	V12	480 mm	480 mm	
NISSAN	Vanette Cargo [C23M]	07	92	→	11	01	1	V12	600 mm	600 mm	
NISSAN	Versa [C11]	09	10	→	08	12	1	V12	600 mm	350 mm	
NISSAN	X-Trail [T30]	10	00	→	08	07	1	V12	600 mm	400 mm	
NISSAN	X-Trail [T31]	04	07	→	12	14	1	V12	600 mm	400 mm	
NISSAN	X-Trail [T32;T32R; T32RR]	04	14	→			1	V12	650 mm	400 mm	
NISSAN	200 SX [S13;S14]	09	88	→	12	99	1	V12	500 mm	500 mm	
NISSAN	300 ZX [Z32]	01	90	→	08	96	1	V12	530 mm	530 mm	
NISSAN	350 Z [Z33]	12	03	→	04	09	1	V12	500 mm	450 mm	
NISSAN	350 Z Cabriolet [Z33]	06	02	→	04	09	1	V12	500 mm	450 mm	
NISSAN	350 Z Coupé [Z33]	09	02	→	04	09	1	V12	500 mm	450 mm	
OPEL	Adam	03	13	→			3	3H-2	650 mm	400 mm	19 mm
OPEL	Agila [A]	06	00	→	02	08	1	V12	500 mm	450 mm	

MARKA	MODEL	MIESIĄC	ROK	→	MIESIĄC	ROK	RAMIE WYCIERACZKI	ADAPTOR	KIEROWCA	PASAŻER	ROZMIAR
OPEL	Agila [B]	03	08	→	08	15	1	V12	550 mm	400 mm	
OPEL	Ampera	10	11	→	12	15	3	3H-2	650 mm	650 mm	19 mm
OPEL	Antara	05	06	→	12	17	1	V12	600 mm	400 mm	
OPEL	Arena	03	98	→	08	01	1	V12	500 mm	500 mm	
OPEL	Astra [F]	09	91	→	08	98	1	V12	450 mm	450 mm	
OPEL	Astra [G]	09	97	→	02	98	1	V12	500 mm	480 mm	
OPEL		03	98	→	07	09	1	V12	500 mm	480 mm	
OPEL	Astra [H]	03	04	→	08	13	2	3B	550 mm	450 mm	
OPEL	Astra [J]	09	09	→	08	15	3	3H-2	700 mm	600 mm	19 mm
OPEL	Astra [K]	09	15	→			3	3H-2	700 mm	600 mm	19 mm
OPEL	Astra Cabrio [F]	09	91	→	08	98	1	V12	450 mm	450 mm	
OPEL	Astra Cabrio [G]	09	97	→	08	05	1	V12	500 mm	480 mm	
OPEL	Astra Caravan [F]	09	91	→	08	98	1	V12	450 mm	450 mm	
OPEL	Astra Caravan [G]	09	97	→	07	09	1	V12	500 mm	480 mm	
OPEL	Astra Caravan [H]	08	04	→	08	13	2	3B	550 mm	450 mm	
OPEL	Astra Classic [F]	09	97	→	08	02	1	V12	500 mm	480 mm	
OPEL	Astra Classic Caravan [F]	09	97	→	08	02	1	V12	500 mm	480 mm	
OPEL	Astra Coupé [G]	09	97	→	02	05	1	V12	500 mm	480 mm	
OPEL	Astra GTC [H]	03	05	→	09	09	2	3B	550 mm	450 mm	
OPEL	Astra GTC [J]	09	11	→			3	3H-2	700 mm	600 mm	19 mm
OPEL	Astra Sedan [J]	09	12	→			3	3H-2	700 mm	600 mm	19 mm
OPEL	Astra Sports Tourer [J]	09	10	→			3	3H-2	700 mm	600 mm	19 mm
OPEL	Astra Sports Tourer [K]	02	16	→			3	3H-2	700 mm	600 mm	19 mm
OPEL	Astra TwinTop [H]	09	05	→	10	10	2	3B	550 mm	450 mm	
OPEL	Calibra	06	90	→	03	97	1	V12	480 mm	480 mm	
OPEL	Cascada	03	13	→			3	3H-2	700 mm	600 mm	19 mm
OPEL	Combo	09	94	→	10	01	1	V12	450 mm	450 mm	
OPEL	Combo [Tour]	10	01	→	01	12	1	V12	500 mm	400 mm	
OPEL	Combo [D]	02	12	→			3	3H-2	600 mm	400 mm	19 mm
OPEL	Combo [E]	09	18	→			3	3H-2	650 mm	430 mm	19 mm

MARKA	MODEL	MIESIĄC	ROK	→	MIESIĄC	ROK	RAMIE WYCIERACZKI	ADAPTOR	KIEROWCA	PASAŻER	ROZMIAR
OPEL	Corsa [B]	03	93	→	09	00	1	V12	450 mm	450 mm	
OPEL	Corsa [C]	09	00	→	09	06	1	V12	500 mm	450 mm	
OPEL	Corsa [D]	07	06	→	08	15	6	3D-2	650 mm	400 mm	
OPEL	Corsa [E]	10	14	→			6	3D-2	650 mm	400 mm	
OPEL	Crossland X	01	17	→			3	3H-2	650 mm	400 mm	16 mm
OPEL	Euromidi	09	88	→	08	96	1	V12	450 mm	450 mm	
OPEL	Frontera [A;B]	09	91	→	09	04	1	V12	480 mm	480 mm	
OPEL	Grandland X	10	17	→			3	3H-2	700 mm	430 mm	19 mm
OPEL	GT [B]	06	07	→	12	09	1	V12	550 mm	400 mm	
OPEL	Insignia [A]	09	08	→	12	17	1	V12	600 mm	450 mm	
OPEL	Insignia Grand Sport [B]	03	17	→			1	V12	600 mm	500 mm	
OPEL	Insignia Sports Tourer [A]	02	09	→	12	17	1	V12	600 mm	450 mm	
OPEL	Insignia Sports Tourer [B]	03	17	→			1	V12	600 mm	500 mm	
OPEL	Karl	05	15	→			1	V12	600 mm	350 mm	
OPEL	Meriva [A]	03	03	→	03	10	1	V12	600 mm	550 mm	
OPEL	Meriva [B]	04	10	→	12	17	3	3H-2	700 mm	600 mm	19 mm
OPEL	Mokka / Mokka X	09	12	→			3	3H-2	650 mm	330 mm	19 mm
OPEL	Monterey [A]	09	91	→	12	97	1	V12	500 mm	500 mm	
OPEL	Movano [A]	06	98	→	06	10	1	V12	600 mm	600 mm	
OPEL	Movano [B]	04	10	→			1	V12	650 mm	650 mm	
OPEL	Omega [B]	09	93	→	09	03	1	V12	600 mm	480 mm	
OPEL	Signum	05	03	→	09	08	1	V12	600 mm	480 mm	
OPEL	Sintra	09	96	→	09	99	1	V12	600 mm	550 mm	
OPEL	Tigra [A]	09	94	→	08	99	1	V12	450 mm	450 mm	
OPEL	Tigra TwinTop [B]	06	04	→	12	09	1	V12	500 mm	450 mm	
OPEL	Vectra [A]	09	88	→	08	95	1	V12	480 mm	480 mm	
OPEL	Vectra [B]	09	95	→	09	03	1	V12	480 mm	480 mm	
OPEL	Vectra [C]	09	01	→	10	08	1	V12	600 mm	480 mm	
OPEL	Vectra Caravan [B]	09	95	→	09	03	1	V12	480 mm	480 mm	
OPEL	Vectra Caravan [C]	09	03	→	10	08	1	V12	600 mm	480 mm	

MARKA	MODEL	MIESIĄC	ROK	→	MIESIĄC	ROK	RAMIE WYCIERACZKI	ADAPTOR	KIEROWCA	PASAŻER	ROZMIAR
OPEL	Vivaro [A]	03	01	→	08	14	1	V12	600 mm	530 mm	
OPEL	Vivaro [B]	10	14	→			3	3H-2	650 mm	480 mm	19 mm
OPEL	Zafira [A]	03	99	→	07	05	1	V12	600 mm	550 mm	
OPEL	Zafira [B]	07	05	→	08	15	6	3D-2	700 mm	550 mm	
OPEL	Zafira Tourer [C]	01	12	→			3	3H-2	810 mm	700 mm	19 mm
PEUGEOT	106 [S1]	09	91	→	04	96	1	V12	500 mm	450 mm	
PEUGEOT	106 [S2]	07	95	→	09	99	1	V12	500 mm	450 mm	
PEUGEOT		10	99	→	05	05	1	V12	500 mm	450 mm	
PEUGEOT	107 [B0]	06	05	→	12	14	1	V12	650 mm		
PEUGEOT	108 [B3]	02	14	→			6	3D-2	650 mm		
PEUGEOT	205	10	87	→	12	98	1	V12	450 mm	450 mm	
PEUGEOT	205 Pickup	05	85	→	09	98	1	V12	450 mm	450 mm	
PEUGEOT	206 [T1]	06	98	→	02	09	1	V12	650 mm	400 mm	
PEUGEOT	206+ [T3]	03	09	→	05	13	1	V12	650 mm	400 mm	
PEUGEOT	206 CC [T1]	09	00	→	03	07	1	V12	650 mm	400 mm	
PEUGEOT	206 SW [T1]	03	02	→	12	06	1	V12	650 mm	400 mm	
PEUGEOT	207 [A7]	05	06	→	04	12	2	3B	650 mm	430 mm	
PEUGEOT	207+ [A7]	11	12	→	06	15	2	3B	650 mm	430 mm	
PEUGEOT	207 CC [A7]	03	07	→	06	15	2	3B	650 mm	430 mm	
PEUGEOT	207 SW [A7]	06	07	→	12	13	2	3B	650 mm	430 mm	
PEUGEOT	208	01	12	→			3	3H-2	650 mm	400 mm	19 mm
PEUGEOT	306 [N3]	01	93	→	04	97	1	V12	550 mm	500 mm	
PEUGEOT	306 [N5]	05	97	→	12	98	1	V12	550 mm	500 mm	
PEUGEOT		01	99	→	10	03	1	V12	550 mm	500 mm	
PEUGEOT	306 Break [N5]	05	97	→	03	02	1	V12	550 mm	500 mm	
PEUGEOT	306 Cabriolet [N3;N5]	01	93	→	10	03	1	V12	550 mm	500 mm	
PEUGEOT	307 [T5]	08	00	→	05	05	1	V12	700 mm	650 mm	
PEUGEOT	307 [T6]	06	05	→	08	07	6	3D-2	700 mm	650 mm	
PEUGEOT	307 Break/SW [T5]	03	02	→	05	05	1	V12	700 mm	650 mm	
PEUGEOT	307 Break/SW [T6]	06	05	→	12	09	6	3D-2	700 mm	650 mm	

MARKA	MODEL	MIESIĄC	ROK	→	MIESIĄC	ROK	RAMIE WYCIERACZKI	ADAPTOR	KIEROWCA	PASAŻER	ROZMIAR
PEUGEOT	307 CC [T5]	10	03	→	05	05	6	3D-2	700 mm	600 mm	
PEUGEOT	307 CC [T6]	06	05	→	03	09	6	3D-2	700 mm	650 mm	
PEUGEOT	308 [T7]	09	07	→	06	13	3	3H-2	760 mm	650 mm	19 mm
PEUGEOT	308 CC [T7]	03	09	→	04	15	3	3H-2	760 mm	650 mm	19 mm
PEUGEOT	308 II [T9]	07	13	→			3	3H-2	600 mm	450 mm	19 mm
PEUGEOT	308 SW [T7]	05	08	→	01	14	3	3H-2	760 mm	650 mm	19 mm
PEUGEOT	308 SW II [T9]	01	14	→			3	3H-2	600 mm	450 mm	19 mm
PEUGEOT	405 [4;15]	07	87	→	04	97	1	V12	550 mm	550 mm	
PEUGEOT	405 Break [4;15]	07	88	→	04	97	1	V12	550 mm	550 mm	
PEUGEOT	406 [D8]	10	95	→	03	99	1	V12	600 mm	530 mm	
PEUGEOT	406 [D9]	04	99	→	06	04	1	V12	600 mm	530 mm	
PEUGEOT	406 Break [D8;D9]	10	96	→	06	04	1	V12	600 mm	530 mm	
PEUGEOT	406 Coupé [D8;D9]	03	97	→	02	05	1	V12	650 mm	500 mm	
PEUGEOT	407 [D2]	05	04	→	02	11	2	3B	700 mm	700 mm	
PEUGEOT	407 Coupé [D2]	10	05	→	12	11	2	3B	700 mm	700 mm	
PEUGEOT	407 SW [D2]	05	04	→	02	11	2	3B	700 mm	700 mm	
PEUGEOT	408	12	09	→			3	3H-2	760 mm	650 mm	19 mm
PEUGEOT	508	10	10	→			3	3H-2	650 mm	650 mm	19 mm
PEUGEOT	508 RXH	09	11	→			3	3H-2	650 mm	650 mm	19 mm
PEUGEOT	508 SW	10	10	→			3	3H-2	650 mm	650 mm	19 mm
PEUGEOT	508	05	18	→			3	3H-2	650 mm	450 mm	19 mm
PEUGEOT	508 SW	05	18	→			3	3H-2	650 mm	450 mm	19 mm
PEUGEOT	605 [Y30]	06	89	→	05	99	1	V12	550 mm	550 mm	
PEUGEOT	806 [U60]	06	94	→	08	02	1	V12	650 mm	500 mm	
PEUGEOT	807 [V2]	06	02	→	07	05	1	V12	650 mm	650 mm	
PEUGEOT		08	05	→	12	13	1	V12	650 mm	650 mm	
PEUGEOT	1007 [A08]	04	05	→	02	11	1	V12	600 mm	450 mm	
PEUGEOT	2008	03	13	→			3	3H-2	650 mm	400 mm	19 mm
PEUGEOT	3008 I [T8]	05	09	→	12	16	3	3H-2	810 mm	700 mm	19 mm
PEUGEOT	3008 II [P84]	07	16	→			3	3H-2	700 mm	400 mm	16 mm

MARKA	MODEL	MIESIĄC	ROK	→	MIESIĄC	ROK	RAMIE WYCIERACZKI	ADAPTOR	KIEROWCA	PASAŻER	ROZMIAR
PEUGEOT	4007 [I3]	09	07	→	11	12	1	V12	600 mm	530 mm	
PEUGEOT	4008	03	12	→			1	V12	600 mm	530 mm	
PEUGEOT	5008 I [T8]	09	09	→	12	17	3	3H-2	810 mm	700 mm	19 mm
PEUGEOT	5008 II [P87]	01	17	→			3	3H-2	700 mm	400 mm	16 mm
PEUGEOT	Boxer [U3]	02	94	→	02	02	1	V12	550 mm	530 mm	
PEUGEOT	Boxer [U5]	02	02	→	05	06	1	V12	550 mm	530 mm	
PEUGEOT	Boxer [U9]	06	06	→			3	3H-2	650 mm	550 mm	19 mm
PEUGEOT	Expert [U64]	09	95	→	01	07	1	V12	650 mm	500 mm	
PEUGEOT	Expert [G9]	02	07	→	12	16	1	V12	650 mm	500 mm	
PEUGEOT	ION	10	10	→			1	V12	700 mm		
PEUGEOT	P 4	10	86	→	12	96	1	V12	350 mm	350 mm	
PEUGEOT	Partner [M4]	07	96	→	08	02	1	V12	550 mm	530 mm	
PEUGEOT	Partner [M5]	09	02	→	10	11	1	V12	550 mm	530 mm	
PEUGEOT	Partner [B9]	05	08	→	12	18	3	3H-2	650 mm	400 mm	19 mm
PEUGEOT	Partner [K9]	09	18	→			3	3H-2	650 mm	430 mm	19 mm
PEUGEOT	Ranch [M4]	07	97	→	08	02	1	V12	550 mm	530 mm	
PEUGEOT	RCZ [T75]	01	10	→			3	3H-2	650 mm	650 mm	19 mm
PEUGEOT	Rifter [K9]	07	18	→			3	3H-2	650 mm	430 mm	19 mm
PIAGGIO	Apetruk	05	07	→			1	V12	400 mm	400 mm	
PIAGGIO	Porter	10	94	→			1	V12	400 mm	400 mm	
PORSCHE	Boxster [986;987]	10	96	→	09	12	1	V12	550 mm	530 mm	
PORSCHE	Boxster [981]	04	12	→	08	16	3	3H-2	530 mm	550 mm	16 mm
PORSCHE	Boxster [718]	03	16	→			3	3H-2	530 mm	550 mm	16 mm
PORSCHE	Cayenne [9PA]	09	02	→	01	07	2	3B	650 mm	650 mm	19 mm
PORSCHE		02	07	→	08	10	2	3B	650 mm	650 mm	19 mm
PORSCHE	Cayenne [92A]	09	10	→			2	3B	650 mm	650 mm	19 mm
PORSCHE	Cayenne [9YA]	09	17	→			3	3H-2	650 mm	550 mm	16 mm
PORSCHE	Cayman [987C]	11	05	→	12	12	1	V12	550 mm	530 mm	
PORSCHE	Cayman [981C]	03	13	→	08	16	3	3H-2	530 mm	550 mm	16 mm
PORSCHE	Cayman [718C]	09	16	→			3	3H-2	530 mm	550 mm	16 mm

MARKA	MODEL	MIESIĄC	ROK	→	MIESIĄC	ROK	RAMIE WYCIERACZKI	ADAPTOR	KIEROWCA	PASAŻER	ROZMIAR
PORSCHE	Macan [95B]	03	14	→			3	3H-2	600 mm	500 mm	16 mm
PORSCHE	Panamera [970]	03	09	→	08	13	1	V12	600 mm	530 mm	
PORSCHE		09	13	→	10	16	3	3H-2	650 mm	500 mm	16 mm
PORSCHE	Panamera [971]	09	16	→			3	3H-2	600 mm	530 mm	16 mm
PORSCHE	Panamera Sport Turismo [971]	03	17	→			3	3H-2	600 mm	530 mm	16 mm
PORSCHE	911 [993]	09	93	→	08	97	1	V12	450 mm	400 mm	
PORSCHE	911 [996]	09	97	→	07	04	1	V12	550 mm	530 mm	
PORSCHE	911 [996T; GT2,3]	06	00	→	09	05	1	V12	550 mm	530 mm	
PORSCHE	911 [997; 997GT3]	08	04	→			1	V12	550 mm	530 mm	
PORSCHE	911 [991;992]	11	11	→			3	3H-2	530 mm	550 mm	16 mm
PORSCHE	968	08	91	→	11	95	1	V12	480 mm	480 mm	
RENAULT	19 [X53]	09	88	→	12	01	1	V12	500 mm	500 mm	
RENAULT	Alaskan [U3]	11	17	→			1	V12	600 mm	400 mm	
RENAULT	Avantime [XEO]	09	01	→	12	03	1	V12	650 mm	450 mm	
RENAULT	Clio I [X57]	03	94	→	02	98	1	V12	500 mm	500 mm	
RENAULT	Clio II [BB./CB./SB.]	03	98	→	05	09	1	V12	530 mm	450 mm	
RENAULT	Duster [HS]	10	11	→	09	14	1	V12	500 mm	500 mm	
RENAULT		10	14	→	11	16	1	V12	600 mm	450 mm	
RENAULT	Espace II [J63]	01	91	→	09	96	1	V12	600 mm	600 mm	
RENAULT	Espace III [JE0]	10	96	→	10	02	1	V12	650 mm	450 mm	
RENAULT	Espace IV [JK; JK0]	11	02	→	12	15	2	3B	760 mm	650 mm	
RENAULT	Espace V [JR]	04	15	→			3	3H-2	760 mm	700 mm	19 mm
RENAULT	Express, Extra, Rapid [F40]	09	94	→	10	97	1	V12	450 mm	450 mm	
RENAULT	Grand Scénic IV [R9]	11	16	→			3	3H-2	810 mm	700 mm	19 mm
RENAULT	Kadjar [HL]	06	15	→	04	17	1	V12	650 mm	400 mm	
RENAULT	Kadjar [HL]	05	17	→			1	V12	650 mm	480 mm	
RENAULT	Kangoo I [FC./KC.]	10	97	→	12	07	1	V12	500 mm	500 mm	
RENAULT	Koleos [HY.]	09	08	→			6	3D-2	600 mm	480 mm	
RENAULT	Koleos [HC]	09	17	→			1	V12	650 mm	400 mm	
RENAULT	Laguna I [B56; 556]	01	94	→	03	01	1	V12	600 mm	450 mm	

MARKA	MODEL	MIESIĄC	ROK	→	MIESIĄC	ROK	RAMIE WYCIERACZKI	ADAPTOR	KIEROWCA	PASAŻER	ROZMIAR
RENAULT	Laguna I Grandtour [A56; K56; S56]	02	95	→	02	01	1	V12	600 mm	450 mm	
RENAULT	Laguna II [BG.]	03	01	→	09	07	1	V12	600 mm	500 mm	
RENAULT	Laguna II Grandtour [KG.]	03	01	→	09	07	1	V12	600 mm	500 mm	
RENAULT	Latitude	09	10	→			1	V12	600 mm	400 mm	
RENAULT	Logan I [LS]	07	04	→	12	16	1	V12	500 mm	500 mm	
RENAULT	Logan II [L8]	08	12	→	03	15	1	V12	530 mm	500 mm	
RENAULT	Logan MCV [KS/FS]	01	07	→	12	13	1	V12	500 mm	500 mm	
RENAULT	Master I	09	80	→	09	97	1	V12	600 mm	600 mm	
RENAULT	Master II [X70]	10	97	→	04	10	1	V12	600 mm	600 mm	
RENAULT	Master III	02	10	→			1	V12	650 mm	650 mm	
RENAULT	Mégane I [X64]	01	96	→	10	02	1	V12	550 mm	500 mm	
RENAULT	Mégane I Cabrio [X64]	09	96	→	09	03	1	V12	550 mm	500 mm	
RENAULT	Mégane I Classic [X64]	09	96	→	09	03	1	V12	550 mm	500 mm	
RENAULT	Mégane I Coupé [X64]	01	96	→	10	02	1	V12	550 mm	500 mm	
RENAULT	Mégane I Grandtour [X64]	07	98	→	10	01	1	V12	550 mm	500 mm	
RENAULT		11	01	→	09	03	1	V12	550 mm	500 mm	
RENAULT	Mégane II [LM]	09	02	→	01	06	1	V12	600 mm	450 mm	
RENAULT	Mégane II Cabrio [EM]	10	03	→	01	06	1	V12	600 mm	450 mm	
RENAULT	Mégane II Grandtour [KM.]	10	03	→	01	06	1	V12	600 mm	450 mm	
RENAULT	Mégane II Hatchback BM./CM./GM./SM.]	11	02	→	01	06	1	V12	600 mm	450 mm	
RENAULT	Modus [FP./JP.]	06	04	→	05	05	2	3B	700 mm	650 mm	
RENAULT		06	05	→	12	15	2	3B	700 mm	650 mm	
RENAULT	Safrane [B54]	04	92	→	01	99	1	V12	600 mm	600 mm	
RENAULT		02	99	→	12	00	1	V12	600 mm	600 mm	
RENAULT	Sandero I [BS]	12	09	→			1	V12	500 mm	500 mm	
RENAULT	Sandero II [B8]	12	14	→	03	15	1	V12	530 mm	500 mm	
RENAULT	Scénic I [JA.]	01	96	→	04	03	1	V12	600 mm	400 mm	
RENAULT	Scénic IV [J9]	11	16	→			3	3H-2	810 mm	700 mm	19 mm
RENAULT	Symbol [LB]	10	99	→	10	07	1	V12	530 mm	450 mm	
RENAULT	Symbol [L8]	03	13	→	03	15	1	V12	530 mm	500 mm	



MARKA	MODEL	MIESIĄC	ROK	→	MIESIĄC	ROK	RAMIE WYCIERACZKI	ADAPTOR	KIEROWCA	PASAŻER	ROZMIAR
RENAULT	Thalia [LB]	10	99	→	10	07	1	V12	530 mm	450 mm	
RENAULT	Trafic I	09	80	→	05	01	1	V12	500 mm	500 mm	
RENAULT	Trafic II [EL./FL./JL.]	05	01	→	12	14	1	V12	600 mm	530 mm	
RENAULT	Trafic III [EG/FG/JG]	05	14	→			3	3H-2	650 mm	480 mm	19 mm
RENAULT	Twingo I [C0./S0.]	03	93	→	05	07	1	V12	650 mm		
RENAULT	Twingo II [CN; CN/GN]	04	07	→	12	15	3	3H-2	600 mm	400 mm	19 mm
RENAULT	Twizy [MA]	03	12	→			1	V12	450 mm		
RENAULT	Vel Satis [BJ.]	04	02	→	12	09	2	3B	760 mm	650 mm	19 mm
RENAULT	Wind	04	10	→	12	14	3	3H-2	600 mm	400 mm	19 mm
RENAULT	ZOE [BF]	01	13	→			3	3H-2	600 mm	330 mm	19 mm
ROVER	Mini	09	88	→	09	00	1	V12	280 mm	280 mm	
ROVER	Serie 200	10	89	→	03	00	1	V12	450 mm	450 mm	
ROVER	Serie 400	09	91	→	03	00	1	V12	500 mm	450 mm	
ROVER	Serie 400 Coupé	01	97	→	12	98	1	V12	500 mm	450 mm	
ROVER	Serie 400 Tourer	09	91	→	03	00	1	V12	500 mm	450 mm	
ROVER	Serie 600	04	93	→	09	00	1	V12	550 mm	500 mm	
ROVER	Serie 800	10	91	→	09	99	1	V12	500 mm	500 mm	
ROVER	Streetwise	09	03	→	12	05	1	V12	450 mm	450 mm	
ROVER	25	02	00	→	09	04	1	V12	450 mm	450 mm	
ROVER		10	04	→	05	05	1	V12	450 mm	450 mm	
ROVER	45	02	00	→	05	05	1	V12	500 mm	450 mm	
ROVER	75	01	99	→	05	05	1	V12	550 mm	530 mm	
ROVER	75 Tourer	01	01	→	05	05	1	V12	550 mm	530 mm	
ROVER	100 Metro	05	90	→	12	98	1	V12	400 mm	400 mm	
ROVER	100 Metro Cabrio	09	90	→	10	98	1	V12	400 mm	400 mm	
SAAB	9-3 [9400]	03	98	→	09	02	1	V12	530 mm	500 mm	
SAAB	9-3 [9440]	09	02	→	08	07	1	V12	550 mm	550 mm	
SAAB		09	07	→	06	12	6	3D-2	600 mm	550 mm	
SAAB	9-3 Cabriolet [9400]	03	98	→	08	03	1	V12	530 mm	500 mm	
SAAB	[9440]	08	03	→	08	07	1	V12	550 mm	550 mm	

MARKA	MODEL	MIESIĄC	ROK	→	MIESIĄC	ROK	RAMIE WYCIERACZKI	ADAPTOR	KIEROWCA	PASAŻER	ROZMIAR
SAAB		09	07	→	06	12	6	3D-2	600 mm	550 mm	
SAAB	9-3 Coupé [9400]	03	98	→	08	03	1	V12	530 mm	500 mm	
SAAB	9-3 Kombi [9440]	03	05	→	08	07	1	V12	550 mm	550 mm	
SAAB		09	07	→	06	12	6	3D-2	600 mm	550 mm	
SAAB	9-3 X [9440]	03	10	→	06	12	6	3D-2	600 mm	550 mm	
SAAB	9-5 I	06	97	→	07	07	1	V12	550 mm	550 mm	
SAAB	9-5 II [650]	03	10	→	06	12	1	V12	600 mm	530 mm	
SAAB	9-5 Kombi [9600]	06	97	→	07	07	1	V12	550 mm	550 mm	
SAAB	900 I Cabrio	09	93	→	08	98	1	V12	400 mm	400 mm	
SAAB	900 I Hatchback	09	90	→	08	98	1	V12	400 mm	400 mm	
SAAB	900 II	09	93	→	10	98	1	V12	530 mm	500 mm	
SAAB	900 II Cabrio	03	94	→	10	98	1	V12	530 mm	500 mm	
SAAB	900 II Coupé	03	94	→	10	98	1	V12	530 mm	500 mm	
SAAB	9000	12	85	→	12	98	1	V12	530 mm	500 mm	
SEAT	Alhambra [7V9]	07	01	→	03	10	2	3B	700 mm	700 mm	
SEAT	Alhambra [710, 711]	07	10	→			3	3H-2	700 mm	400 mm	16 mm
SEAT	Arona [KJ7]	07	17	→			3	3H-2	650 mm	450 mm	16 mm
SEAT	Arosa [6H1]	02	97	→	02	99	1	V12	480 mm	480 mm	
SEAT		03	99	→	06	04	1	V12	530 mm	450 mm	
SEAT	Ateca [KH7]	04	16	→			3	3H-2	650 mm	450 mm	16 mm
SEAT	Cordoba [6K2]	09	93	→	12	02	1	V12	530 mm	480 mm	
SEAT	Cordoba [6L2]	09	02	→	01	06	1	V12	530 mm	450 mm	
SEAT		02	06	→	11	09	3	3H-2	530 mm	480 mm	19 mm
SEAT	Cordoba Vario [6K5]	04	97	→	08	03	1	V12	530 mm	480 mm	
SEAT	Ibiza [6K1]	03	93	→	05	02	1	V12	530 mm	480 mm	
SEAT	Ibiza [6L1]	09	01	→	01	06	1	V12	530 mm	450 mm	
SEAT		02	06	→	11	09	3	3H-2	530 mm	480 mm	19 mm
SEAT	Ibiza [6J5]	02	08	→	08	11	3	3H-2	600 mm	400 mm	19 mm
SEAT	Ibiza [6J5, 6P5]	09	11	→	05	17	3	3H-2	600 mm	400 mm	19 mm
SEAT	Ibiza [KJ1]	01	17	→			3	3H-2	650 mm	400 mm	16 mm

MARKA	MODEL	MIESIĄC	ROK	→	MIESIĄC	ROK	RAMIE WYCIERACZKI	ADAPTOR	KIEROWCA	PASAŻER	ROZMIAR
SEAT	Ibiza SC [6J1]	02	08	→	08	11	3	3H-2	600 mm	400 mm	19 mm
SEAT	Ibiza SC [6J1, 6P1]	09	11	→	05	17	3	3H-2	600 mm	400 mm	19 mm
SEAT	Ibiza ST [6J8]	03	10	→	08	11	3	3H-2	600 mm	400 mm	19 mm
SEAT	Ibiza ST [6J8, 6P8]	09	11	→	05	17	3	3H-2	600 mm	400 mm	19 mm
SEAT	Inca [6K9]	11	95	→	06	03	1	V12	500 mm	450 mm	
SEAT	Leon [1M1]	10	98	→	06	06	1	V12	530 mm	480 mm	
SEAT	Leon [1P1]	07	05	→	02	09	6	3D-2	650 mm	650 mm	
SEAT		03	09	→	12	12	6	3D-2	650 mm	650 mm	
SEAT	Leon [5F1]	09	12	→			3	3H-2	650 mm	400 mm	16 mm
SEAT	Leon SC [5F5]	01	13	→	12	18	3	3H-2	650 mm	400 mm	16 mm
SEAT	Leon SC Cupra [5F5]	01	13	→	12	18	3	3H-2	650 mm	400 mm	16 mm
SEAT	Leon ST [5F8]	08	13	→			3	3H-2	650 mm	400 mm	16 mm
SEAT	Marbella	01	87	→	05	98	1	V12	400 mm		
SEAT	Mii [KF1]	10	10	→			3	3H-2	600 mm	400 mm	16 mm
SEAT	Tarraco [KN2]	11	18	→			3	3H-2	650 mm	550 mm	16 mm
SEAT	Toledo [1L2]	05	91	→	03	99	1	V12	500 mm	500 mm	
SEAT	Toledo [1M2]	10	98	→	07	04	1	V12	530 mm	450 mm	
SEAT	Toledo [KG3]	07	12	→			3	3H-2	600 mm	400 mm	16 mm
SKODA	Citigo	10	11	→			3	3H-2	600 mm	400 mm	16 mm
SKODA	Fabia [6Y2]	09	99	→	03	08	1	V12	530 mm	480 mm	
SKODA	Fabia [5J2]	12	06	→	05	13	3	3H-2	530 mm	530 mm	19 mm
SKODA		06	13	→	12	14	3	3H-2	530 mm	530 mm	19 mm
SKODA	Fabia [NJ3]	08	14	→			3	3H-2	600 mm	400 mm	16 mm
SKODA	Fabia Combi [6Y5]	12	99	→	12	07	1	V12	530 mm	480 mm	
SKODA	Fabia Combi [5J5]	12	06	→	05	13	3	3H-2	530 mm	530 mm	19 mm
SKODA		06	13	→	12	14	3	3H-2	530 mm	530 mm	19 mm
SKODA	Fabia Combi [NJ5]	08	14	→			3	3H-2	600 mm	400 mm	16 mm
SKODA	Fabia Sedan [6Y3]	09	99	→	12	07	1	V12	530 mm	480 mm	
SKODA	Favorit	07	93	→	12	98	1	V12	500 mm	500 mm	
SKODA	Felicia [6U1]	10	94	→	08	01	1	V12	500 mm	500 mm	

MARKA	MODEL	MIESIĄC	ROK	→	MIESIĄC	ROK	RAMIE WYCIERACZKI	ADAPTOR	KIEROWCA	PASAŻER	ROZMIAR
SKODA	Felicia Combi [6U5]	10	94	→	08	01	1	V12	500 mm	500 mm	
SKODA	Felicia Fun [6UF]	08	96	→	03	01	1	V12	530 mm	450 mm	
SKODA	Forman	10	90	→	12	95	1	V12	500 mm	500 mm	
SKODA	Karoq [NU7]	07	17	→			3	3H-2	650 mm	450 mm	16 mm
SKODA	Kodiaq [NS7]	02	17	→			3	3H-2	600 mm	530 mm	16 mm
SKODA	Octavia [1U2]	09	96	→	01	03	1	V12	530 mm	480 mm	
SKODA		02	03	→	12	10	1	V12	530 mm	480 mm	
SKODA	Octavia [1Z3]	05	04	→	06	13	2	3B	600 mm	480 mm	
SKODA	Octavia [5E3]	11	12	→			3	3H-2	600 mm	480 mm	16 mm
SKODA	Octavia Combi [1U5]	10	96	→	12	10	1	V12	530 mm	480 mm	
SKODA	Octavia Combi [1Z5]	05	04	→	06	13	2	3B	600 mm	480 mm	
SKODA	Octavia Combi [5E5]	11	12	→			3	3H-2	600 mm	480 mm	16 mm
SKODA	Pick-Up [6U7,787]	09	91	→	03	01	1	V12	500 mm	500 mm	
SKODA	Praktik [5J7]	03	07	→	05	13	3	3H-2	530 mm	530 mm	19 mm
SKODA		06	13	→	05	15	3	3H-2	530 mm	530 mm	19 mm
SKODA	Rapid [NH3]	07	12	→			3	3H-2	600 mm	400 mm	16 mm
SKODA	Rapid Spaceback [NH3]	10	13	→			3	3H-2	600 mm	400 mm	16 mm
SKODA	Roomster [5J7]	03	06	→	05	13	3	3H-2	530 mm	530 mm	19 mm
SKODA		06	13	→	05	15	3	3H-2	530 mm	530 mm	19 mm
SKODA	Scala [NW1]	02	19	→			3	3H-2	650 mm	450 mm	16 mm
SKODA	Superb [3U4]	12	01	→	10	04	2	3B	530 mm	480 mm	
SKODA		11	04	→	03	08	1	V12	530 mm	500 mm	
SKODA	Superb [3T4]	03	08	→	05	15	3	3H-2	600 mm	450 mm	19 mm
SKODA	Superb [3V3]	05	15	→			3	3H-2	650 mm	450 mm	16 mm
SKODA	Superb Combi [3T5]	03	09	→	05	15	3	3H-2	600 mm	450 mm	19 mm
SKODA	Superb Combi [3V5]	05	15	→			3	3H-2	650 mm	450 mm	16 mm
SKODA	Yeti [5L7]	05	09	→	12	17	3	3H-2	600 mm	480 mm	19 mm
SMART (MCC)	Forfour [454]	01	04	→	06	07	1	V12	650 mm	450 mm	
SMART (MCC)	Fortwo Cabrio [450]	02	04	→	03	07	1	V12	530 mm	530 mm	
SMART (MCC)	Fortwo Cabrio [451]	04	07	→	12	15	6	3D-2	600 mm	550 mm	

MARKA	MODEL	MIESIĄC	ROK	→	MIESIĄC	ROK	RAMIE WYCIERACZKI	ADAPTOR	KIEROWCA	PASAŻER	ROZMIAR
SMART (MCC)	Fortwo Coupé [450]	02	04	→	03	07	1	V12	530 mm	530 mm	
SMART (MCC)	Fortwo Coupé [451]	04	07	→	10	14	6	3D-2	600 mm	530 mm	
SMART (MCC)	Roadster [452]	04	03	→	11	05	1	V12	500 mm	450 mm	
SMART (MCC)	Roadster Coupé [452]	04	03	→	11	05	1	V12	500 mm	450 mm	
SMART (MCC)	Smart Cabrio [450]	03	00	→	01	04	1	V12	530 mm	530 mm	
SMART (MCC)	Smart Coupé [450]	07	98	→	01	04	1	V12	530 mm	530 mm	
SSANGYONG	Actyon	10	05	→			1	V12	530 mm	480 mm	
SSANGYONG	Actyon Sports	03	07	→			1	V12	530 mm	480 mm	
SSANGYONG	Chairman	09	03	→	01	08	1	V12	600 mm		
SSANGYONG	Korando [KJ]	07	96	→	12	05	1	V12	450 mm	450 mm	
SSANGYONG	Korando [CK]	07	10	→			1	V12	600 mm	400 mm	
SSANGYONG	Korando C	02	11	→			1	V12	600 mm	400 mm	
SSANGYONG	Kyron	05	05	→	02	07	1	V12	550 mm	480 mm	
SSANGYONG	Kyron	03	07	→			1	V12	550 mm	480 mm	
SSANGYONG	Musso [MJ]	07	93	→	12	05	1	V12	500 mm	450 mm	
SSANGYONG	Musso [Q200]	06	18	→	06	18	3	3H-2	650 mm	500 mm	16 mm
SSANGYONG	Rexton	09	01	→	12	10	1	V12	500 mm	500 mm	
SSANGYONG	Rexton II	10	08	→	12	12	1	V12	500 mm	500 mm	
SSANGYONG	Rexton W	06	12	→			1	V12	500 mm	500 mm	
SSANGYONG	Rodius	08	04	→	12	12	1	V12	600 mm	450 mm	
SSANGYONG	Rodius II	05	13	→			1	V12	600 mm	400 mm	
SSANGYONG	Tivoli	07	15	→			1	V12	600 mm	400 mm	
SSANGYONG	XLV	04	16	→			1	V12	600 mm	400 mm	
SUBARU	BRZ [Z10]	01	12	→			1	V12	550 mm	500 mm	
SUBARU	Forester [SF]	01	97	→	05	02	1	V12	530 mm	480 mm	
SUBARU	Forester [SG]	06	02	→	05	03	1	V12	530 mm	480 mm	
SUBARU		06	03	→	05	05	1	V12	530 mm	480 mm	
SUBARU		06	05	→	11	07	1	V12	530 mm	480 mm	
SUBARU	Forester [S12]	12	07	→	12	12	1	V12	600 mm	450 mm	
SUBARU	Forester [S13]	11	12	→			1	V12	650 mm	400 mm	

MARKA	MODEL	MIESIĄC	ROK	→	MIESIĄC	ROK	RAMIE WYCIERACZKI	ADAPTOR	KIEROWCA	PASAŻER	ROZMIAR
SUBARU	Impreza [G12/G22]	06	07	→	12	11	1	V12	600 mm	400 mm	
SUBARU	Impreza [G13/G23]	10	11	→			1	V12	650 mm	400 mm	
SUBARU	Impreza Kombi [GC,GF]	01	93	→	07	98	1	V12	530 mm	450 mm	
SUBARU		08	98	→	09	00	1	V12	530 mm	450 mm	
SUBARU	Impreza Kombi [GD,GG]	10	00	→	01	04	1	V12	550 mm	400 mm	
SUBARU	Impreza Kombi [GD,GG]	02	04	→	06	07	1	V12	550 mm	400 mm	
SUBARU	Impreza Outback [GD,GG]	10	00	→	06	07	1	V12	550 mm	400 mm	
SUBARU	Impreza Sedan [GC,GF]	01	93	→	09	00	1	V12	530 mm	450 mm	
SUBARU	Impreza Sedan [GD,GG]	10	00	→	06	07	1	V12	550 mm	400 mm	
SUBARU	Impreza Sedan [G12]	06	07	→	12	11	1	V12	600 mm	400 mm	
SUBARU	Impreza Sedan [G13]	10	11	→	12	15	1	V12	650 mm	400 mm	
SUBARU	Impreza Sports Wagon	11	92	→	07	00	1	V12	530 mm	450 mm	
SUBARU	Justy [KA,KD]	05	87	→	10	95	1	V12	450 mm	450 mm	
SUBARU	Justy [MA]	10	95	→	09	96	1	V12	530 mm	450 mm	
SUBARU	Justy [MS]	10	96	→	08	03	1	V12	530 mm	450 mm	
SUBARU	Justy [G3X]	09	03	→	08	07	1	V12	480 mm	400 mm	
SUBARU	Justy [M3]	09	07	→	12	10	1	V12	500 mm	400 mm	
SUBARU	Legacy [BC/BF/BJ]	01	89	→	12	95	1	V12	500 mm	450 mm	
SUBARU	Legacy [BL/BP]	07	03	→	05	09	1	V12	600 mm	450 mm	
SUBARU	Legacy [B14]	06	09	→			1	V12	650 mm	480 mm	
SUBARU	Legacy Kombi [BD/BC]	01	94	→	11	98	1	V12	530 mm	480 mm	
SUBARU	Legacy Kombi [BE/BH]	10	98	→	06	03	1	V12	550 mm	500 mm	
SUBARU	Legacy Kombi [BL/BP]	07	03	→	05	09	1	V12	600 mm	450 mm	
SUBARU	Legacy Kombi [B14]	06	09	→	12	14	1	V12	650 mm	480 mm	
SUBARU	Legacy Outback [BD/BC]	01	96	→	12	99	1	V12	530 mm	480 mm	
SUBARU	Legacy Outback[BE/BH]	10	98	→	06	03	1	V12	550 mm	500 mm	
SUBARU	Legacy Outback[BL/BP]	07	03	→	05	09	1	V12	600 mm	450 mm	
SUBARU	Legacy Sedan [BD/BC]	01	94	→	03	99	1	V12	530 mm	480 mm	
SUBARU	Legacy Sedan [BE/BH]	10	98	→	06	03	1	V12	550 mm	500 mm	
SUBARU	Levorg [VM,V10]	06	14	→			1	V12	650 mm	400 mm	

MARKA	MODEL	MIESIĄC	ROK	→	MIESIĄC	ROK	RAMIE WYCIERACZKI	ADAPTOR	KIEROWCA	PASAŻER	ROZMIAR
SUBARU	Outback [B14]	06	09	→	02	15	1	V12	650 mm	480 mm	
SUBARU	Outback [B15]	03	15	→			1	V12	650 mm	400 mm	
SUBARU	SVX	09	92	→	12	96	1	V12	550 mm	500 mm	
SUBARU	Trezia	11	10	→	03	16	1	V12	700 mm		
SUBARU	Vivio [R13]	08	93	→	04	00	1	V12	480 mm	380 mm	
SUBARU	WRX [V10]	05	14	→			1	V12	650 mm	400 mm	
SUBARU	XV [G33]	08	11	→	11	17	1	V12	650 mm	400 mm	
SUZUKI	Alto [EF]	10	94	→	02	02	1	V12	480 mm	400 mm	
SUZUKI	Alto [MA]	02	02	→	12	06	1	V12	450 mm	400 mm	
SUZUKI	Alto [AMF]	12	08	→	12	14	1	V12	550 mm	350 mm	
SUZUKI	Baleno	03	16	→			1	V12	530 mm	450 mm	
SUZUKI	Baleno Hatchback	04	95	→	09	05	1	V12	500 mm	450 mm	
SUZUKI	Baleno Sedan	04	95	→	09	05	1	V12	500 mm	450 mm	
SUZUKI	Baleno Wagon	08	96	→	09	07	1	V12	500 mm	450 mm	
SUZUKI	Carry [ED]	10	85	→	09	94	1	V12	430 mm	430 mm	
SUZUKI		10	94	→	03	99	1	V12	350 mm	350 mm	
SUZUKI	Carry [FD]	03	99	→	03	09	1	V12	400 mm	400 mm	
SUZUKI	Celerio	10	14	→			1	V12	530 mm	350 mm	
SUZUKI	Escudo	05	05	→			1	V12	480 mm	480 mm	
SUZUKI	Grand Vitara	03	98	→	09	05	1	V12	480 mm	480 mm	
SUZUKI	Grand Vitara [JT]	10	05	→			1	V12	480 mm	480 mm	
SUZUKI	Grand Vitara Cabrio	03	98	→	03	08	1	V12	480 mm	480 mm	
SUZUKI	Ignis [MF]	10	16	→			1	V12	530 mm	480 mm	
SUZUKI	Ignis Hatchback	10	00	→	12	07	1	V12	480 mm	450 mm	
SUZUKI	Jimny [FJ]	10	98	→			1	V12	450 mm	400 mm	
SUZUKI	Jimny [GJ]	10	18	→			1	V12	400 mm	400 mm	
SUZUKI	Kizashi	10	09	→			1	V12	600 mm	500 mm	
SUZUKI	Liana Hatchback	03	01	→	04	08	1	V12	550 mm	480 mm	
SUZUKI	Liana Sedan	04	02	→	12	07	1	V12	550 mm	480 mm	
SUZUKI	Samurai	03	87	→	12	04	1	V12	280 mm	280 mm	

MARKA	MODEL	MIESIĄC	ROK	→	MIESIĄC	ROK	RAMIE WYCIERACZKI	ADAPTOR	KIEROWCA	PASAŻER	ROZMIAR
SUZUKI	Splash [A5B]	01	08	→			1	V12	550 mm	400 mm	
SUZUKI	Swift [Z]	11	14	→			1	V12	530 mm	450 mm	
SUZUKI	Swift Hatchback [EA]	01	89	→	09	95	1	V12	500 mm	450 mm	
SUZUKI	Swift Hatchback [MA]	03	96	→	12	04	1	V12	530 mm	450 mm	
SUZUKI	Swift Hatchback [MZ/EZ]	11	04	→	12	14	1	V12	530 mm	450 mm	
SUZUKI	Swift Hatchback [AZH,AZG]	09	10	→			1	V12	530 mm	450 mm	
SUZUKI	Swift Hatchback [A2L]	05	17	→			1	V12	500 mm	480 mm	
SUZUKI	Swift Sedan [EA]	01	91	→	09	95	1	V12	500 mm	450 mm	
SUZUKI	Swift Sedan [MA]	03	36	→	12	04	1	V12	530 mm	450 mm	
SUZUKI	Swift Sedan [Z]	11	04	→			1	V12	530 mm	450 mm	
SUZUKI	SX4	07	06	→	12	15	1	V12	650 mm	350 mm	
SUZUKI	SX4 Hatchback	05	06	→			1	V12	650 mm	350 mm	
SUZUKI	SX4 S-Cross	10	13	→			1	V12	650 mm	350 mm	
SUZUKI	SX4 Sedan	07	07	→			1	V12	650 mm	350 mm	
SUZUKI	Vitara	09	95	→	03	04	1	V12	430 mm	430 mm	
SUZUKI	Vitara[ET]	01	95	→	12	05	1	V12	450 mm	450 mm	
SUZUKI	Vitara[LY]	02	15	→			1	V12	600 mm	400 mm	
SUZUKI	Vitara Cabrio [ET]	01	95	→	03	98	1	V12	450 mm	450 mm	
SUZUKI	Wagon R+ [EM]	10	96	→	05	00	1	V12	500 mm	450 mm	
SUZUKI	Wagon R+ [MM]	05	00	→	08	08	1	V12	500 mm	450 mm	
SUZUKI	X-90	09	95	→	08	98	1	V12	500 mm	450 mm	
TATA	Indica [T4]	06	02	→			1	V12	600 mm	400 mm	
TATA	Indica (Vista) [X1]	08	08	→			1	V12	600 mm	380 mm	
TATA	Indigo Marina [T4]	09	04	→	03	10	1	V12	600 mm	400 mm	
TATA	Safari [T3]	02	00	→			1	V12	600 mm	500 mm	
TESLA	Model S	08	11	→			3	3H-2	700 mm	450 mm	19 mm
TESLA	Model 3	09	16	→			3	3H-2	650 mm	480 mm	16 mm
TESLA	Roadster	08	06	→	12	12	1	V12	650 mm		
THINK NORDIC	THINK City	01	08	→			1	V12	530 mm		
TOYOTA	Alphard	05	08	→			1	V12	700 mm	350 mm	



MARKA	MODEL	MIESIĄC	ROK	→	MIESIĄC	ROK	RAMIE WYCIERACZKI	ADAPTOR	KIEROWCA	PASAŻER	ROZMIAR
TOYOTA	Auris [E15,JTN]	10	06	→	08	12	1	V12	650 mm	400 mm	
TOYOTA	Auris [E15,NMT,SB1]	02	07	→	10	12	1	V12	650 mm	400 mm	
TOYOTA	Auris [E18]	10	12	→			1	V12	650 mm	350 mm	
TOYOTA	Auris Touring Sports [E18]	07	13	→			1	V12	650 mm	350 mm	
TOYOTA	Avalon	09	99	→	08	04	1	V12	600 mm	400 mm	
TOYOTA	Avensis [T22]	10	97	→	01	03	1	V12	530 mm	450 mm	
TOYOTA	Avensis [T25]	01	03	→	11	08	1	V12	600 mm	400 mm	
TOYOTA	Avensis [T27]	11	08	→			3	3H-2	650 mm	400 mm	19 mm
TOYOTA	Avensis Liftback [T22]	10	97	→	01	03	1	V12	530 mm	450 mm	
TOYOTA	Avensis Liftback [T25]	01	03	→	11	08	1	V12	600 mm	400 mm	
TOYOTA	Avensis Verso [M2]	05	01	→	11	09	1	V12	650 mm	400 mm	
TOYOTA	Avensis Wagon [T22]	10	97	→	01	03	1	V12	530 mm	450 mm	
TOYOTA	Avensis Wagon [T25]	01	03	→	11	08	1	V12	600 mm	400 mm	
TOYOTA	Avensis Wagon [T27]	11	08	→			3	3H-2	650 mm	400 mm	19 mm
TOYOTA	Aygo	02	05	→	12	14	1	V12	650 mm		
TOYOTA	Aygo [B4]	05	14	→			6	3D-2	650 mm		
TOYOTA	Camry [V1]	06	91	→	08	96	1	V12	530 mm	450 mm	
TOYOTA	Camry [V2]	06	96	→	08	01	1	V12	530 mm	480 mm	
TOYOTA	Camry [V3]	08	01	→	01	06	1	V12	600 mm	480 mm	
TOYOTA	Camry [V4,V40]	01	06	→	07	11	1	V12	600 mm	500 mm	
TOYOTA	Camry [V5]	08	11	→	03	18	1	V12	650 mm	450 mm	
TOYOTA	Camry [V7]	04	18	→			1	V12	650 mm	500 mm	
TOYOTA	Camry Wagon [V1]	03	92	→	08	96	1	V12	530 mm	450 mm	
TOYOTA	Carina E Liftback [T19]	02	92	→	10	97	1	V12	530 mm	450 mm	
TOYOTA	Carina E Sedan [T19]	02	92	→	10	97	1	V12	530 mm	450 mm	
TOYOTA	Carina E Wagon [T19]	11	92	→	10	97	1	V12	530 mm	450 mm	
TOYOTA	Celica Cabrio [T20]	08	94	→	05	99	1	V12	530 mm	480 mm	
TOYOTA	Celica Coupé [T23]	08	99	→	09	05	1	V12	650 mm	400 mm	
TOYOTA	Celica Liftback [T20]	11	93	→	08	99	1	V12	530 mm	480 mm	
TOYOTA	Conquest [Carri]	11	98	→			1	V12	450 mm	450 mm	

MARKA	MODEL	MIESIĄC	ROK	→	MIESIĄC	ROK	RAMIE WYCIERACZKI	ADAPTOR	KIEROWCA	PASAŻER	ROZMIAR
TOYOTA	Corolla [E10]	05	92	→	08	98	1	V12	500 mm	450 mm	
TOYOTA	Corolla [E11]	05	95	→	08	02	1	V12	500 mm	450 mm	
TOYOTA	Corolla [E12]	08	00	→	08	08	1	V12	550 mm	480 mm	
TOYOTA	Corolla [E12]	10	02	→	08	08	1	V12	600 mm	400 mm	
TOYOTA	Corolla [E14,E15]	11	06	→	04	13	1	V12	650 mm	350 mm	
TOYOTA	Corolla [E17]	09	13	→			1	V12	650 mm	350 mm	
TOYOTA	Corolla [E18]	06	13	→			1	V12	650 mm	350 mm	
TOYOTA	Corolla [E21]	01	19	→			1	V12	700 mm	350 mm	
TOYOTA	Corolla Hatchback [E10]	05	92	→	04	97	1	V12	500 mm	450 mm	
TOYOTA	Corolla Hatchback [E11]	05	97	→	07	01	1	V12	500 mm	450 mm	
TOYOTA	Corolla Hatchback [E12,SB1]	11	01	→	12	07	1	V12	550 mm	480 mm	
TOYOTA	Corolla Hatchback [E12,JTD]	09	02	→	12	06	1	V12	550 mm	480 mm	
TOYOTA	Corolla Hatchback [E12]	11	01	→	11	06	1	V12	600 mm	400 mm	
TOYOTA	Corolla Hatchback [E21]	01	19	→			1	V12	700 mm	350 mm	
TOYOTA	Corolla Liftback [E10]	05	92	→	05	95	1	V12	500 mm	450 mm	
TOYOTA	Corolla Liftback [E11]	05	97	→	11	01	1	V12	500 mm	450 mm	
TOYOTA	Corolla Sedan [E10]	05	92	→	08	97	1	V12	500 mm	450 mm	
TOYOTA	Corolla Sedan [E11]	05	95	→	08	02	1	V12	500 mm	450 mm	
TOYOTA	Corolla Touring Sports [E21]	01	19	→			1	V12	700 mm	350 mm	
TOYOTA	Corolla Verso [E12]	09	01	→	01	04	1	V12	650 mm	400 mm	
TOYOTA	Corolla Verso [R1]	02	04	→	02	09	1	V12	650 mm	400 mm	
TOYOTA	Corolla Wagon [E10]	05	92	→	04	97	1	V12	500 mm	450 mm	
TOYOTA	Corolla Wagon [E11]	04	97	→	09	01	1	V12	500 mm	450 mm	
TOYOTA	Corolla Wagon [E12]	08	00	→	02	07	1	V12	600 mm	400 mm	
TOYOTA	Cressida Sedan [X8]	08	88	→	08	96	1	V12	400 mm	400 mm	
TOYOTA	Fortuner	01	05	→			1	V12	530 mm	480 mm	
TOYOTA	Fortuner [AN160]	07	15	→			1	V12	550 mm	400 mm	
TOYOTA	Dyna	01	97	→	04	03	1	V12	430 mm	430 mm	
TOYOTA		10	00	→			1	V12	500 mm	500 mm	
TOYOTA	Echo	09	99	→			1	V12	530 mm	380 mm	

MARKA	MODEL	MIESIĄC	ROK	→	MIESIĄC	ROK	RAMIE WYCIERACZKI	ADAPTOR	KIEROWCA	PASAŻER	ROZMIAR
TOYOTA	Etios	01	10	→			1	V12	650 mm		
TOYOTA	GT86	04	12	→			1	V12	550 mm	500 mm	
TOYOTA	Harrier	12	97	→	02	03	1	V12	600 mm	530 mm	
TOYOTA		02	03	→			1	V12	650 mm	550 mm	
TOYOTA	Hiace [LXH,RCH]	08	95	→	08	96	1	V12	500 mm	450 mm	
TOYOTA		08	96	→	05	09	1	V12	530 mm	530 mm	
TOYOTA	Hiace [KLH]	08	01	→			1	V12	530 mm	530 mm	
TOYOTA	Hiace Van [LH,ZH]	08	89	→	08	96	1	V12	500 mm	450 mm	
TOYOTA	Hiace Van [LH,LXH,ZH]	08	96	→	02	06	1	V12	530 mm	530 mm	
TOYOTA	Hiace Wagon [LH,ZH]	08	89	→	08	96	1	V12	500 mm	450 mm	
TOYOTA		08	96	→	02	06	1	V12	530 mm	530 mm	
TOYOTA	Highlander	09	00	→	08	07	1	V12	550 mm	480 mm	
TOYOTA		09	07	→			1	V12	650 mm	500 mm	
TOYOTA	Hilux [N5/N6]	08	84	→	07	98	1	V12	430 mm	430 mm	
TOYOTA	Hilux [N16/N17]	08	97	→			1	V12	430 mm	430 mm	
TOYOTA	Hilux [Raider]	05	05	→			1	V12	530 mm	480 mm	
TOYOTA	Hilux [N15,N25,N26,N35]	07	05	→			1	V12	530 mm	480 mm	
TOYOTA	Hilux [N12,N13]	06	15	→			1	V12	550 mm	400 mm	
TOYOTA	Hilux Pickup [N8...19]	08	88	→	08	05	1	V12	430 mm	430 mm	
TOYOTA	Hilux Vigo [TGN16;TGN26]	08	04	→			1	V12	530 mm	480 mm	
TOYOTA	iQ	11	08	→	05	14	1	V12	530 mm	450 mm	
TOYOTA	Land Cruiser [J7]	11	84	→	08	01	1	V12	430 mm	430 mm	
TOYOTA	Land Cruiser [J8]	01	90	→	01	98	1	V12	450 mm	450 mm	
TOYOTA	Land Cruiser [J9]	04	96	→	12	06	1	V12	480 mm	450 mm	
TOYOTA	Land Cruiser [J10]	01	98	→	07	08	1	V12	600 mm	550 mm	
TOYOTA	Land Cruiser [J12]	09	02	→	08	09	1	V12	550 mm	530 mm	
TOYOTA	Land Cruiser [J20]	09	07	→			1	V12	600 mm	550 mm	
TOYOTA	Land Cruiser [J15]	08	09	→			1	V12	650 mm	500 mm	
TOYOTA	Land Cruiser Prado [J9]	04	96	→	09	04	1	V12	480 mm	450 mm	
TOYOTA	Land Cruiser Prado [J12]	09	02	→	09	09	1	V12	550 mm	530 mm	

MARKA	MODEL	MIESIĄC	ROK	→	MIESIĄC	ROK	RAMIE WYCIERACZKI	ADAPTOR	KIEROWCA	PASAŻER	ROZMIAR
TOYOTA	Land Cruiser Prado [J15]	09	09	→			1	V12	650 mm	500 mm	
TOYOTA	MR2 Cabrio [W3]	12	99	→	05	06	1	V12	500 mm	480 mm	
TOYOTA	New Altis	07	10	→	12	13	1	V12	650 mm	350 mm	
TOYOTA	Paseo [L5]	08	95	→	08	99	1	V12	500 mm	450 mm	
TOYOTA	Picnic	09	96	→	05	01	1	V12	600 mm	400 mm	
TOYOTA		08	03	→			1	V12	600 mm	400 mm	
TOYOTA	Previa	05	90	→	12	99	1	V12	700 mm	450 mm	
TOYOTA	Prius [W11]	09	00	→	08	03	1	V12	600 mm	400 mm	
TOYOTA	Prius [W20]	09	03	→	03	09	1	V12	650 mm	400 mm	
TOYOTA	Prius [W30,W35]	04	09	→			1	V12	650 mm	400 mm	
TOYOTA	Prius + [W40]	03	12	→			1	V12	650 mm	380 mm	
TOYOTA	Proace [G9]	06	13	→	01	16	1	V12	650 mm	500 mm	
TOYOTA	RAV4 [A1]	04	94	→	08	00	1	V12	500 mm	450 mm	
TOYOTA	RAV4 [A2]	05	00	→	01	06	1	V12	600 mm	480 mm	
TOYOTA	RAV4 [A3]	11	05	→	11	12	1	V12	600 mm	400 mm	
TOYOTA	RAV4 [A4]	12	12	→	10	17	1	V12	650 mm	400 mm	
TOYOTA	RAV4 [A5]	11	18	→			1	V12	650 mm	400 mm	
TOYOTA	RAV4 Cabrio [A1]	11	95	→	08	00	1	V12	500 mm	450 mm	
TOYOTA	Sequoia	09	07	→			1	V12	480 mm	480 mm	
TOYOTA	Sienna	09	06	→	12	09	1	V12	650 mm	480 mm	
TOYOTA		01	10	→			1	V12	600 mm	500 mm	
TOYOTA	Solara	09	98	→	08	03	1	V12	550 mm	530 mm	
TOYOTA		09	03	→	08	08	1	V12	600 mm	480 mm	
TOYOTA	Starlet [P8]	12	89	→	01	96	1	V12	500 mm	450 mm	
TOYOTA	Starlet [P9]	01	96	→	07	99	1	V12	500 mm	450 mm	
TOYOTA	Tundra	11	06	→			6	3D-2	650 mm	550 mm	
TOYOTA	Urban Cruiser [P1]	01	09	→	12	16	1	V12	600 mm	350 mm	
TOYOTA	Venza	02	09	→			1	V12	650 mm	550 mm	
TOYOTA	Verso [R2]	02	09	→			1	V12	650 mm	400 mm	
TOYOTA	Verso-S	11	10	→	12	15	1	V12	700 mm		

MARKA	MODEL	MIESIĄC	ROK	→	MIESIĄC	ROK	RAMIE WYCIERACZKI	ADAPTOR	KIEROWCA	PASAŻER	ROZMIAR
TOYOTA	Yaris [P1]	01	99	→	08	05	1	V12	530 mm	380 mm	
TOYOTA	Yaris (F) [P1]	01	01	→	08	06	1	V12	530 mm	380 mm	
TOYOTA	Yaris [P9,JTD]	08	05	→	07	11	1	V12	600 mm	350 mm	
TOYOTA	Yaris [P9,VNK]	11	05	→	07	11	1	V12	600 mm	350 mm	
TOYOTA	Yaris [P13]	07	11	→			1	V12	700 mm		
TOYOTA	Yaris Verso [P2]	08	99	→	11	02	1	V12	550 mm	400 mm	
TOYOTA		12	02	→	09	05	1	V12	550 mm	400 mm	
VOLVO	C30	10	06	→	07	10	3	3H-2	650 mm	500 mm	19 mm
VOLVO		08	10	→			3	3H-2	650 mm	500 mm	19 mm
VOLVO	C70 Coupé	01	97	→	07	02	1	V12	530 mm	530 mm	
VOLVO	C70 I Cabrio	02	98	→	03	06	1	V12	530 mm	530 mm	
VOLVO	C70 II Cabrio	03	06	→	12	13	3	3H-2	650 mm	480 mm	19 mm
VOLVO	S40 I	09	95	→	01	04	1	V12	500 mm	500 mm	
VOLVO	S40 II [P11]	12	03	→	08	05	2	3B	650 mm	500 mm	
VOLVO		08	05	→	12	12	3	3H-2	650 mm	500 mm	19 mm
VOLVO	S60 I	11	00	→	07	04	1	V12	600 mm	530 mm	
VOLVO		08	04	→	07	09	6	3D-2	600 mm	530 mm	
VOLVO	S60 II	11	10	→			3	3H-2	650 mm	500 mm	19 mm
VOLVO	S60 Cross Country	08	15	→			3	3H-2	650 mm	500 mm	19 mm
VOLVO	S70	01	97	→	07	00	1	V12	530 mm	530 mm	
VOLVO	S80 I	08	98	→	07	04	1	V12	600 mm	530 mm	
VOLVO		08	04	→	07	06	6	3D-2	600 mm	530 mm	
VOLVO	S80 II	03	06	→	12	16	3	3H-2	650 mm	500 mm	19 mm
VOLVO		03	06	→	12	16	3	3H-2	650 mm	480 mm	19 mm
VOLVO	S90 I	01	97	→	05	98	1	V12	530 mm	530 mm	
VOLVO	S90 II	03	16	→			3	3H-2	600 mm	500 mm	16 mm
VOLVO	V40 I	01	95	→	04	00	1	V12	500 mm	500 mm	
VOLVO		05	00	→	08	04	1	V12	500 mm	500 mm	
VOLVO	V40 II	09	12	→			3	3H-2	650 mm	480 mm	19 mm
VOLVO	V40 Cross Country	01	13	→			3	3H-2	650 mm	480 mm	19 mm

MARKA	MODEL	MIESIĄC	ROK	→	MIESIĄC	ROK	RAMIE WYCIERACZKI	ADAPTOR	KIEROWCA	PASAŻER	ROZMIAR
VOLVO	V50	04	04	→	07	05	2	3B	650 mm	500 mm	
VOLVO		08	05	→	12	12	3	3H-2	650 mm	500 mm	19 mm
VOLVO	V60 I	09	10	→	06	15	3	3H-2	650 mm	500 mm	19 mm
VOLVO		06	15	→			3	3H-2	650 mm	500 mm	19 mm
VOLVO	V60 Cross Country	08	15	→			3	3H-2	650 mm	500 mm	19 mm
VOLVO	V70 I	01	97	→	03	00	1	V12	530 mm	530 mm	
VOLVO	V70 II	03	00	→	07	03	1	V12	600 mm	530 mm	
VOLVO		08	03	→	07	04	1	V12	600 mm	530 mm	
VOLVO		08	04	→	07	07	6	3D-2	600 mm	530 mm	
VOLVO	V70 III	08	07	→			3	3H-2	650 mm	500 mm	19 mm
VOLVO	V90 I	01	97	→	07	98	1	V12	530 mm	530 mm	
VOLVO	V90 II	03	16	→			3	3H-2	600 mm	500 mm	16 mm
VOLVO	V90 Cross Country	02	17	→			3	3H-2	600 mm	500 mm	16 mm
VOLVO	XC40	12	17	→			3	3H-2	600 mm	500 mm	16 mm
VOLVO	XC60 I	03	09	→	07	10	3	3H-2	650 mm	500 mm	
VOLVO		08	10	→	07	17	3	3H-2	650 mm	500 mm	
VOLVO	XC70 I	08	02	→	07	03	1	V12	600 mm	530 mm	
VOLVO		08	03	→	07	04	1	V12	600 mm	530 mm	
VOLVO	XC70 I	08	04	→	07	07	6	3D-2	600 mm	530 mm	
VOLVO	XC70 II	08	07	→			3	3H-2	650 mm	500 mm	19 mm
VOLVO	XC90 I	10	02	→	07	04	1	V12	600 mm	500 mm	
VOLVO		08	04	→	07	06	6	3D-2	600 mm	530 mm	
VOLVO		08	06	→	07	10	6	3D-2	600 mm	530 mm	
VOLVO		08	10	→	07	16	6	3D-2	600 mm	530 mm	
VOLVO	XC90 II	06	15	→			3	3H-2	600 mm	500 mm	16 mm
VOLVO	440	09	88	→	07	97	1	V12	530 mm	530 mm	
VOLVO	460	03	90	→	07	97	1	V12	530 mm	530 mm	
VOLVO	480 [E12]	08	88	→	12	96	1	V12	530 mm	530 mm	
VOLVO	740	09	90	→	07	95	1	V12	500 mm	500 mm	
VOLVO	850	09	91	→	07	98	1	V12	530 mm	530 mm	

MARKA	MODEL	MIESIĄC	ROK	→	MIESIĄC	ROK	RAMIE WYCIERACZKI	ADAPTOR	KIEROWCA	PASAŻER	ROZMIAR
VOLVO	850 Kombi	09	91	→	07	98	1	V12	530 mm	530 mm	
VOLVO	940	09	90	→	10	98	1	V12	500 mm	500 mm	
VOLVO	960	08	90	→	07	98	1	V12	530 mm	530 mm	
VW (VOLKSWAGEN)	Amarok [2H]	09	10	→	04	12	1	V12	600 mm	530 mm	
VW (VOLKSWAGEN)		05	12	→	10	16	3	3H-2	600 mm	600 mm	16 mm
VW (VOLKSWAGEN)	Amarok [S6,S7]	06	16	→			3	3H-2	600 mm	600 mm	16 mm
VW (VOLKSWAGEN)	Arteon [3H7]	03	17	→			3	3H-2	650 mm	480 mm	16 mm
VW (VOLKSWAGEN)	Beetle [5C1,5C2]	04	11	→			3	3H-2	530 mm	530 mm	16 mm
VW (VOLKSWAGEN)	Beetle Cabriolet [5C7,5C8]	01	13	→			3	3H-2	530 mm	530 mm	16 mm
VW (VOLKSWAGEN)	Bora [1J2]	09	98	→	05	02	1	V12	530 mm	480 mm	
VW (VOLKSWAGEN)		06	02	→	05	05	2	3B	530 mm	450 mm	
VW (VOLKSWAGEN)	Bora Variant [1J6]	09	98	→	05	02	1	V12	530 mm	480 mm	
VW (VOLKSWAGEN)		06	02	→	05	05	2	3B	530 mm	450 mm	
VW (VOLKSWAGEN)	Caddy [9K9]	11	95	→	06	03	1	V12	530 mm	450 mm	
VW (VOLKSWAGEN)	Caddy [2K]	02	04	→	10	06	2	3B	600 mm	450 mm	
VW (VOLKSWAGEN)		11	06	→	08	10	3	3H-2	600 mm	450 mm	19 mm
VW (VOLKSWAGEN)	Caddy [2C]	09	10	→	05	15	3	3H-2	600 mm	450 mm	19 mm
VW (VOLKSWAGEN)	Caddy [SA]	05	15	→	05	17	3	3H-2	600 mm	450 mm	19 mm
VW (VOLKSWAGEN)		06	17	→	06		3	3H-2	600 mm	450 mm	16 mm
VW (VOLKSWAGEN)	Caddy Pickup [9U7]	06	96	→	12	00	1	V12	530 mm	450 mm	
VW (VOLKSWAGEN)	California T4 [70,7D]	09	90	→	06	03	1	V12	530 mm	500 mm	
VW (VOLKSWAGEN)	California T5 [7H, 7E]	02	03	→	05	13	2	3B	600 mm	600 mm	
VW (VOLKSWAGEN)	California T5 [7E]	06	13	→	08	15	3	3H-2	600 mm	600 mm	16 mm
VW (VOLKSWAGEN)	California T6 [SG]	04	15	→			3	3H-2	600 mm	600 mm	16 mm
VW (VOLKSWAGEN)	Caravelle T4 [70,7D]	09	90	→	06	03	1	V12	530 mm	500 mm	
VW (VOLKSWAGEN)	Caravelle T5 [7H, 7E]	02	03	→	05	13	2	3B	600 mm	600 mm	
VW (VOLKSWAGEN)	Caravelle T5 [7E]	06	13	→	08	15	3	3H-2	600 mm	600 mm	16 mm
VW (VOLKSWAGEN)	Caravelle T6 [SG]	04	15	→			3	3H-2	600 mm	600 mm	16 mm
VW (VOLKSWAGEN)	CC [358]	11	11	→	12	16	3	3H-2	600 mm	480 mm	16 mm
VW (VOLKSWAGEN)	Corrado [50]	09	88	→	07	95	1	V12	480 mm	480 mm	

MARKA	MODEL	MIESIĄC	ROK	→	MIESIĄC	ROK	RAMIE WYCIERACZKI	ADAPTOR	KIEROWCA	PASAŻER	ROZMIAR
VW (VOLKSWAGEN)	Crafter [2E]	04	06	→	12	16	6	3D-2	650 mm	600 mm	
VW (VOLKSWAGEN)	Crafter [SY,SZ]	09	16	→			3	3H-2	700 mm	650 mm	16 mm
VW (VOLKSWAGEN)	e-Golf [BE1]	03	14	→			3	3H-2	650 mm	450 mm	16 mm
VW (VOLKSWAGEN)	e-up! [BL1]	07	13	→	06	16	3	3H-2	600 mm	400 mm	16 mm
VW (VOLKSWAGEN)	e-up! [BL2]	08	16	→			3	3H-2	600 mm	400 mm	16 mm
VW (VOLKSWAGEN)	Eos [1F7,1F8]	05	06	→	08	15	3	3H-2	600 mm	480 mm	19 mm
VW (VOLKSWAGEN)	Eurovan [70]	09	91	→	08	01	1	V12	530 mm	500 mm	
VW (VOLKSWAGEN)	Fox [5Z1]	04	05	→	12	12	1	V12	530 mm	380 mm	
VW (VOLKSWAGEN)	Golf II [19,1G1,1G4]	02	86	→	11	92	1	V12	450 mm	450 mm	
VW (VOLKSWAGEN)	Golf III [1H1]	11	91	→	12	97	1	V12	530 mm	480 mm	
VW (VOLKSWAGEN)	Golf III Cabriolet [1E7]	09	93	→	04	98	1	V12	530 mm	480 mm	
VW (VOLKSWAGEN)	Golf III Variant [1H5]	07	93	→	02	99	1	V12	530 mm	480 mm	
VW (VOLKSWAGEN)	Golf IV [1J1]	10	97	→	05	02	1	V12	530 mm	480 mm	
VW (VOLKSWAGEN)		06	02	→	06	05	2	3B	530 mm	450 mm	
VW (VOLKSWAGEN)	Golf IV Cabriolet [1E7]	04	98	→	06	02	1	V12	530 mm	480 mm	
VW (VOLKSWAGEN)	Golf IV Variant [1J5]	05	99	→	05	02	1	V12	530 mm	480 mm	
VW (VOLKSWAGEN)		06	02	→	06	06	2	3B	530 mm	450 mm	
VW (VOLKSWAGEN)	Golf V [1K1]	10	03	→	10	05	2	3B	600 mm	480 mm	
VW (VOLKSWAGEN)		11	05	→	11	08	3	3H-2	600 mm	480 mm	19 mm
VW (VOLKSWAGEN)	Golf V Variant [1K5]	05	07	→	07	09	3	3H-2	600 mm	480 mm	19 mm
VW (VOLKSWAGEN)	Golf VI [5K1]	10	08	→	11	12	3	3H-2	600 mm	480 mm	19 mm
VW (VOLKSWAGEN)	Golf VI Cabriolet [517]	03	11	→	05	16	3	3H-2	600 mm	480 mm	16 mm
VW (VOLKSWAGEN)	Golf VI Variant [AJ5]	06	09	→	04	13	3	3H-2	600 mm	480 mm	19 mm
VW (VOLKSWAGEN)	Golf VII [5G1, BQ1]	08	12	→			3	3H-2	650 mm	450 mm	16 mm
VW (VOLKSWAGEN)	Golf VII Variant [BA5, BV5]	04	13	→			3	3H-2	650 mm	450 mm	16 mm
VW (VOLKSWAGEN)	Golf Alltrack [BA5,BV5]	11	14	→			3	3H-2	650 mm	450 mm	16 mm
VW (VOLKSWAGEN)	Golf Plus [5M1]	01	05	→	05	09	2	3B	700 mm	700 mm	
VW (VOLKSWAGEN)	Golf Plus [521]	01	09	→	02	14	2	3B	700 mm	700 mm	
VW (VOLKSWAGEN)	Golf Plus [5M1,521]	01	05	→	02	14	2	3B	700 mm	700 mm	
VW (VOLKSWAGEN)	Golf Sportsvan [AM1]	02	14	→			3	3H-2	700 mm	400 mm	16 mm



MARKA	MODEL	MIESIĄC	ROK	→	MIESIĄC	ROK	RAMIE WYCIERACZKI	ADAPTOR	KIEROWCA	PASAŻER	ROZMIAR
VW (VOLKSWAGEN)	Jetta [1K2]	01	05	→	11	05	2	3B	600 mm	480 mm	
VW (VOLKSWAGEN)		12	05	→	10	10	3	3H-2	600 mm	480 mm	19 mm
VW (VOLKSWAGEN)	Jetta [162,163,AV2]	02	11	→			3	3H-2	600 mm	480 mm	16 mm
VW (VOLKSWAGEN)	LT [2D,2H]	05	96	→	04	06	1	V12	600 mm	530 mm	
VW (VOLKSWAGEN)	Lupo [6X1]	06	98	→	05	03	1	V12	530 mm	480 mm	
VW (VOLKSWAGEN)	Lupo [6X1]	06	03	→	07	05	2	3B	480 mm	450 mm	
VW (VOLKSWAGEN)	Maggiolino (Beetle) [5C1]	04	11	→	06	16	3	3H-2	530 mm	530 mm	16 mm
VW (VOLKSWAGEN)	Multivan T4 [70,7D]	09	90	→	06	03	1	V12	530 mm	500 mm	
VW (VOLKSWAGEN)	Multivan T5 [7H, 7E]	02	03	→	05	13	2	3B	600 mm	600 mm	
VW (VOLKSWAGEN)	Multivan T5 [7E]	06	13	→	08	15	3	3H-2	600 mm	600 mm	16 mm
VW (VOLKSWAGEN)	Multivan T6 [5C]	04	15	→			3	3H-2	600 mm	600 mm	16 mm
VW (VOLKSWAGEN)	New Beetle [1C1,9C1]	01	98	→	12	10	1	V12	530 mm	530 mm	
VW (VOLKSWAGEN)	New Beetle Cabriolet [1Y7]	01	03	→	10	10	1	V12	530 mm	530 mm	
VW (VOLKSWAGEN)	Passat [35I,3A2]	04	88	→	03	97	1	V12	530 mm	530 mm	
VW (VOLKSWAGEN)	Passat [3B2]	10	96	→	11	00	1	V12	530 mm	500 mm	
VW (VOLKSWAGEN)	Passat [3B3]	10	00	→	10	01	1	V12	530 mm	500 mm	
VW (VOLKSWAGEN)		11	01	→	05	05	2	3B	530 mm	480 mm	
VW (VOLKSWAGEN)	Passat [3C2]	03	05	→	11	10	3	3H-2	600 mm	480 mm	19 mm
VW (VOLKSWAGEN)	Passat [362]	08	10	→	05	12	3	3H-2	600 mm	480 mm	19 mm
VW (VOLKSWAGEN)		08	11	→	12	14	3	3H-2	600 mm	480 mm	16 mm
VW (VOLKSWAGEN)	Passat [3G2]	08	14	→			3	3H-2	650 mm	480 mm	16 mm
VW (VOLKSWAGEN)	Passat Alltrack [365]	01	12	→	12	14	3	3H-2	600 mm	480 mm	16 mm
VW (VOLKSWAGEN)	Passat Alltrack [3C5]	05	15	→			3	3H-2	650 mm	480 mm	16 mm
VW (VOLKSWAGEN)	Passat CC [357]	05	08	→	11	11	3	3H-2	600 mm	480 mm	19 mm
VW (VOLKSWAGEN)		12	11	→	05	12	3	3H-2	600 mm	480 mm	16 mm
VW (VOLKSWAGEN)	Passat Variant [35I,3A5]	04	88	→	03	97	1	V12	530 mm	530 mm	
VW (VOLKSWAGEN)	Passat Variant [3B5]	01	97	→	11	00	1	V12	530 mm	500 mm	
VW (VOLKSWAGEN)	Passat Variant [3B6]	10	00	→	10	01	1	V12	530 mm	500 mm	
VW (VOLKSWAGEN)		11	01	→	05	05	2	3B	530 mm	480 mm	
VW (VOLKSWAGEN)	Passat Variant [3C5]	08	05	→	11	10	3	3H-2	600 mm	480 mm	19 mm

MARKA	MODEL	MIESIĄC	ROK	→	MIESIĄC	ROK	RAMIE WYCIERACZKI	ADAPTOR	KIEROWCA	PASAŻER	ROZMIAR
VW (VOLKSWAGEN)	Passat Variant [365]	08	10	→	05	12	3	3H-2	600 mm	480 mm	19 mm
VW (VOLKSWAGEN)		08	11	→	12	14	3	3H-2	600 mm	480 mm	16 mm
VW (VOLKSWAGEN)	Passat Variant [3G5]	08	14	→			3	3H-2	650 mm	450 mm	16 mm
VW (VOLKSWAGEN)	Phaeton [3D]	05	02	→	03	16	2	3B	600 mm	530 mm	19 mm
VW (VOLKSWAGEN)	Polo [6N1]	10	94	→	12	99	1	V12	480 mm	480 mm	
VW (VOLKSWAGEN)	Polo [6N2]	07	98	→	09	01	1	V12	480 mm	480 mm	
VW (VOLKSWAGEN)	Polo [9N1]	09	01	→	05	02	1	V12	530 mm	480 mm	
VW (VOLKSWAGEN)		06	02	→	06	05	2	3B	530 mm	480 mm	
VW (VOLKSWAGEN)	Polo [9N3]	04	05	→	08	05	1	V12	530 mm	480 mm	
VW (VOLKSWAGEN)		05	05	→	12	09	3	3H-2	530 mm	480 mm	19 mm
VW (VOLKSWAGEN)	Polo [6R1,6C1]	06	09	→			3	3H-2	600 mm	400 mm	16 mm
VW (VOLKSWAGEN)	Polo [AW1]	06	17	→			3	3H-2	650 mm	450 mm	16 mm
VW (VOLKSWAGEN)	Polo Classic [6V2]	11	95	→	09	01	1	V12	530 mm	450 mm	
VW (VOLKSWAGEN)	Polo Classic [9N4]	04	05	→	02	10	3	3H-2	530 mm	480 mm	19 mm
VW (VOLKSWAGEN)	Polo Playa [9V4]	10	98	→	10	02	1	V12	500 mm	450 mm	
VW (VOLKSWAGEN)	Polo Variant [6V5]	05	97	→	09	01	1	V12	530 mm	450 mm	
VW (VOLKSWAGEN)	Scirocco [137,138]	08	08	→	11	17	3	3H-2	600 mm	480 mm	19 mm
VW (VOLKSWAGEN)	Sharan [7M9, 7M6]	06	01	→	03	10	2	3B	700 mm	700 mm	
VW (VOLKSWAGEN)	Sharan [7N1,7N2]	05	10	→			3	3H-2	700 mm	400 mm	16 mm
VW (VOLKSWAGEN)	Taro [7A]	04	89	→	03	97	1	V12	430 mm	430 mm	
VW (VOLKSWAGEN)	Teramont	12	16	→			3	3H-2	650 mm	550 mm	16 mm
VW (VOLKSWAGEN)	Tiguan [5N1,5N2]	11	07	→	08	17	3	3H-2	600 mm	530 mm	19 mm
VW (VOLKSWAGEN)	Tiguan [AD1; BT1]	01	16	→			3	3H-2	650 mm	530 mm	16 mm
VW (VOLKSWAGEN)	Tiguan Allspace [BW2]	03	17	→			3	3H-2	650 mm	530 mm	16 mm
VW (VOLKSWAGEN)	Touareg [7LA,7L6]	11	02	→	08	07	2	3B	650 mm	650 mm	19 mm
VW (VOLKSWAGEN)	Touareg [7L6]	06	07	→	05	10	2	3B	650 mm	650 mm	19 mm
VW (VOLKSWAGEN)	Touareg [7P5]	01	10	→	12	14	2	3B	650 mm	650 mm	19 mm
VW (VOLKSWAGEN)	Touareg [7P6]	08	14	→	12	16	2	3B	650 mm	650 mm	19 mm
VW (VOLKSWAGEN)	Touareg [CR7]	11	17	→			3	3H-2	650 mm	550 mm	16 mm
VW (VOLKSWAGEN)	Touran [1T1]	02	03	→	11	06	2	3B	700 mm	700 mm	

MARKA	MODEL	MIESIĄC	ROK	→	MIESIĄC	ROK	RAMIE WYCIERACZKI	ADAPTOR	KIEROWCA	PASAŻER	ROZMIAR
VW (VOLKSWAGEN)	Touran [1T2]	11	06	→	05	10	3	3H-2	600 mm	450 mm	19 mm
VW (VOLKSWAGEN)	Touran [1T3]	05	10	→	05	15	3	3H-2	600 mm	450 mm	19 mm
VW (VOLKSWAGEN)	Touran [5T1]	05	15	→			3	3H-2	700 mm	400 mm	16 mm
VW (VOLKSWAGEN)	Transporter T4 [70,7D]	09	90	→	06	03	1	V12	530 mm	500 mm	
VW (VOLKSWAGEN)	Transporter T5 [7E, 7F, 7H, 7J]	02	03	→	05	13	2	3B	600 mm	600 mm	
VW (VOLKSWAGEN)	Transporter T5 [7E, 7F]	06	13	→	08	15	3	3H-2	600 mm	600 mm	16 mm
VW (VOLKSWAGEN)	Transporter T6 [SF,SG]	04	15	→			3	3H-2	600 mm	600 mm	16 mm
VW (VOLKSWAGEN)	T-Cross [C11]	12	18	→			3	3H-2	600 mm	450 mm	16 mm
VW (VOLKSWAGEN)	T-Roc	07	17	→			3	3H-2	650 mm	500 mm	16 mm
VW (VOLKSWAGEN)	up! [121,122]	12	11	→			3	3H-2	600 mm	400 mm	16 mm
VW (VOLKSWAGEN)	Vento [1H2]	11	91	→	12	97	1	V12	530 mm	480 mm	