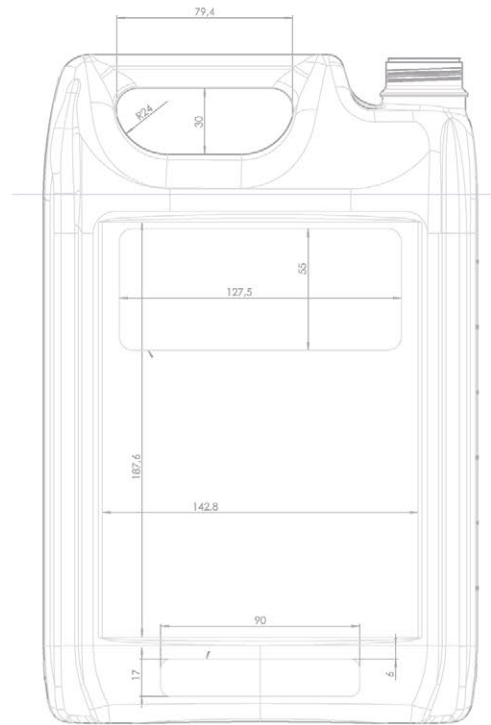
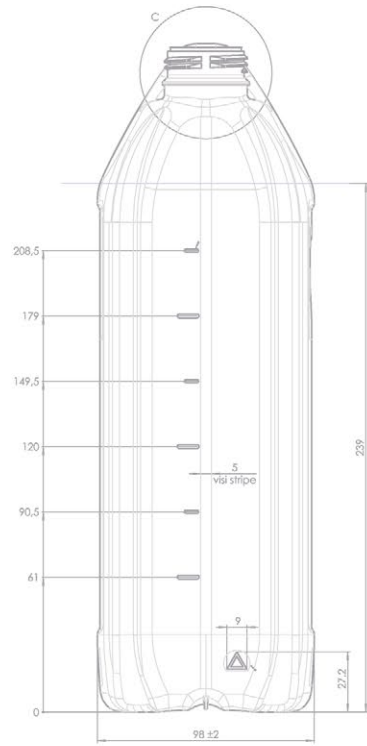
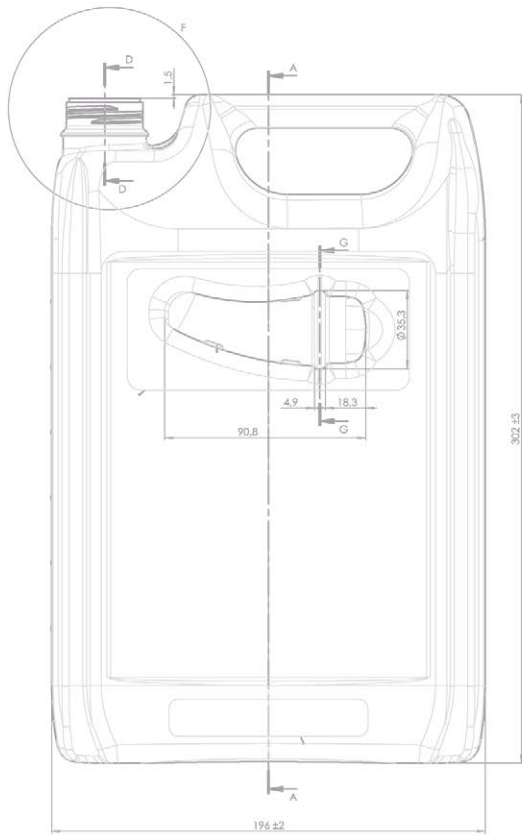




# Packaging

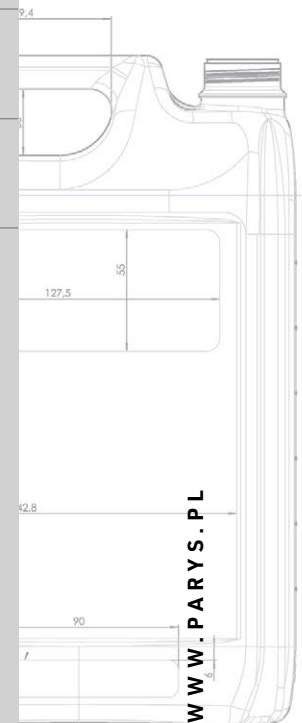
Products and services

**2025**



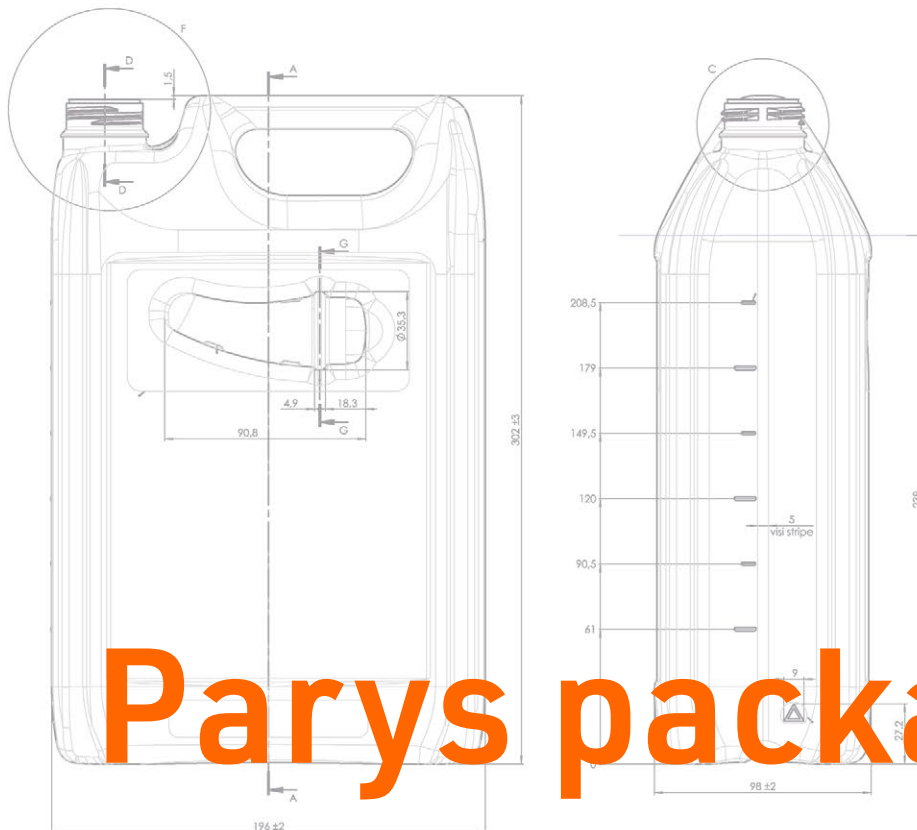
# Table of contents

<b>INTRODUCTION</b>	<b>4</b>
<b>WHO WE ARE?</b>	<b>6</b>
<b>OUR VALUES</b>	<b>8</b>
<b>SETUP PROCESS</b>	<b>10</b>
<b>PACKAGING</b>	<b>12</b>
<b>ACCESSORIES AND PERSONALIZATION</b>	<b>42</b>
<b>SPECIAL PROJECTS</b>	<b>56</b>



We present our offer  
of solutions in the  
field of packaging  
production

Quality  
Functionality  
Design



Parys packaging.

## WE FOCUS ON DEVELOPMENT

I am thrilled to present to you the effect of our hard work.

We have used many years of experience in the production and packaging of liquids and automotive chemicals to expand the field of competence.

For this reason, we started the production of packaging in seven individual lines.

Thanks to this, we can support business partners throughout the entire process - from the idea to the creation of the finished product.

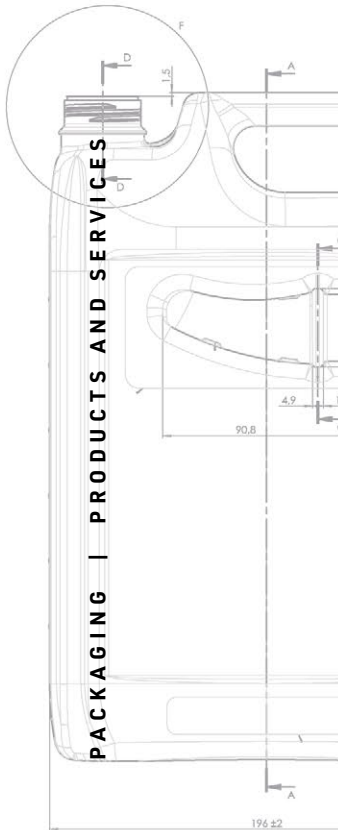
We have a wide range, we provide high quality industrial design, and we have a proven team that is waiting for your contact.

Therefore, I encourage you to familiarize yourself with the solutions we have prepared.

PRESIDENT OF MANAGMENT BOARD  
PIOTR PARYS







---

## WHO WE ARE?

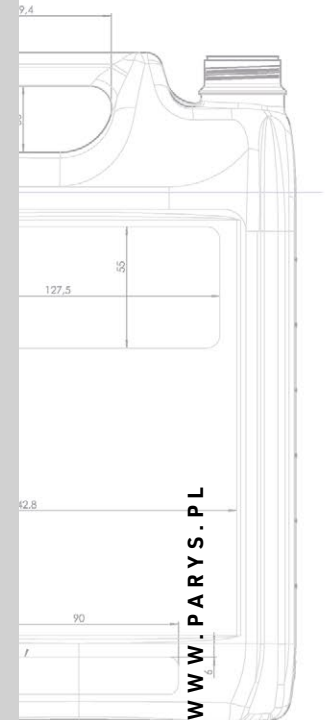
---

We started our activity in 1991.

We have been associated with the automotive industry from the beginning. Reliability, meticulousness and readiness to act made us a leader in Poland's car chemistry and cosmetics industry. The experience gained allowed us to take the next step. We have launched a modern, efficient and ecological line for the production of plastic packaging.

Thanks to this, we can take care of the entire process - from the preparation of a chemical agent recipe, through packaging blowing, label design, to the final packaging of the product. Regardless of whether it is about car cosmetics, operating fluids, preparations for automatic and manual car washes or products for car workshops.

**We create and deliver the highest quality products.**



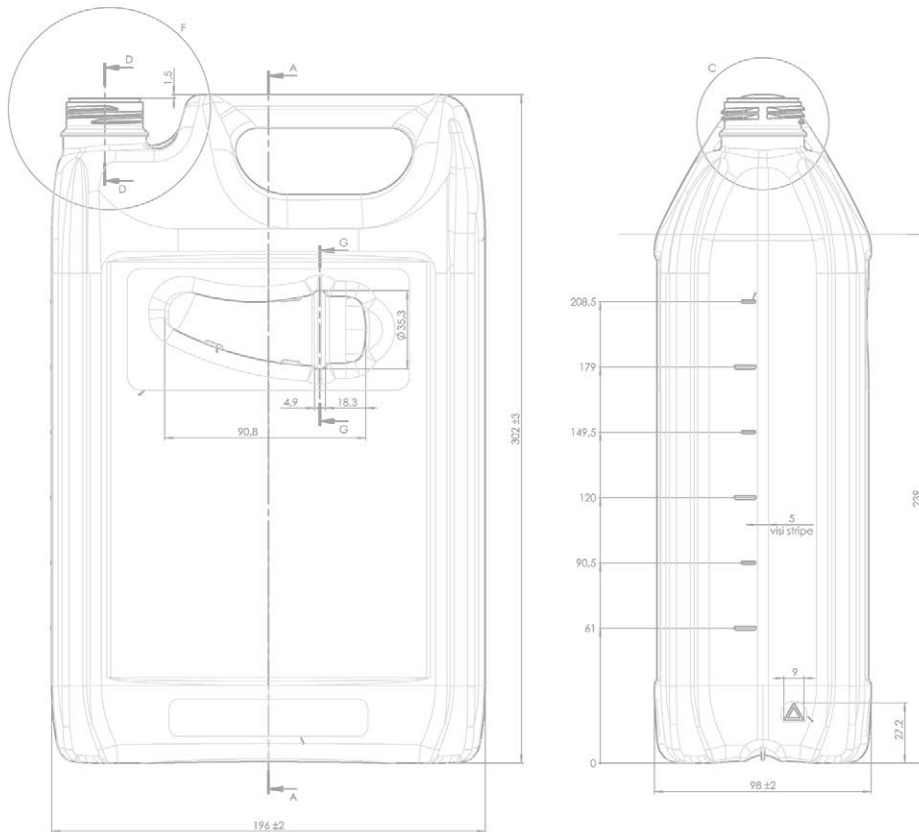
# Our values

---

## WHAT IS IMPORTANT TO US?

---

We offer our customers comprehensive solutions in the field of car chemistry production. We implement complex projects. We provide support throughout the entire production process. We guarantee high quality and efficient technological solutions.





---

WHAT MAKES US STAND OUT?

---

## Complex offer

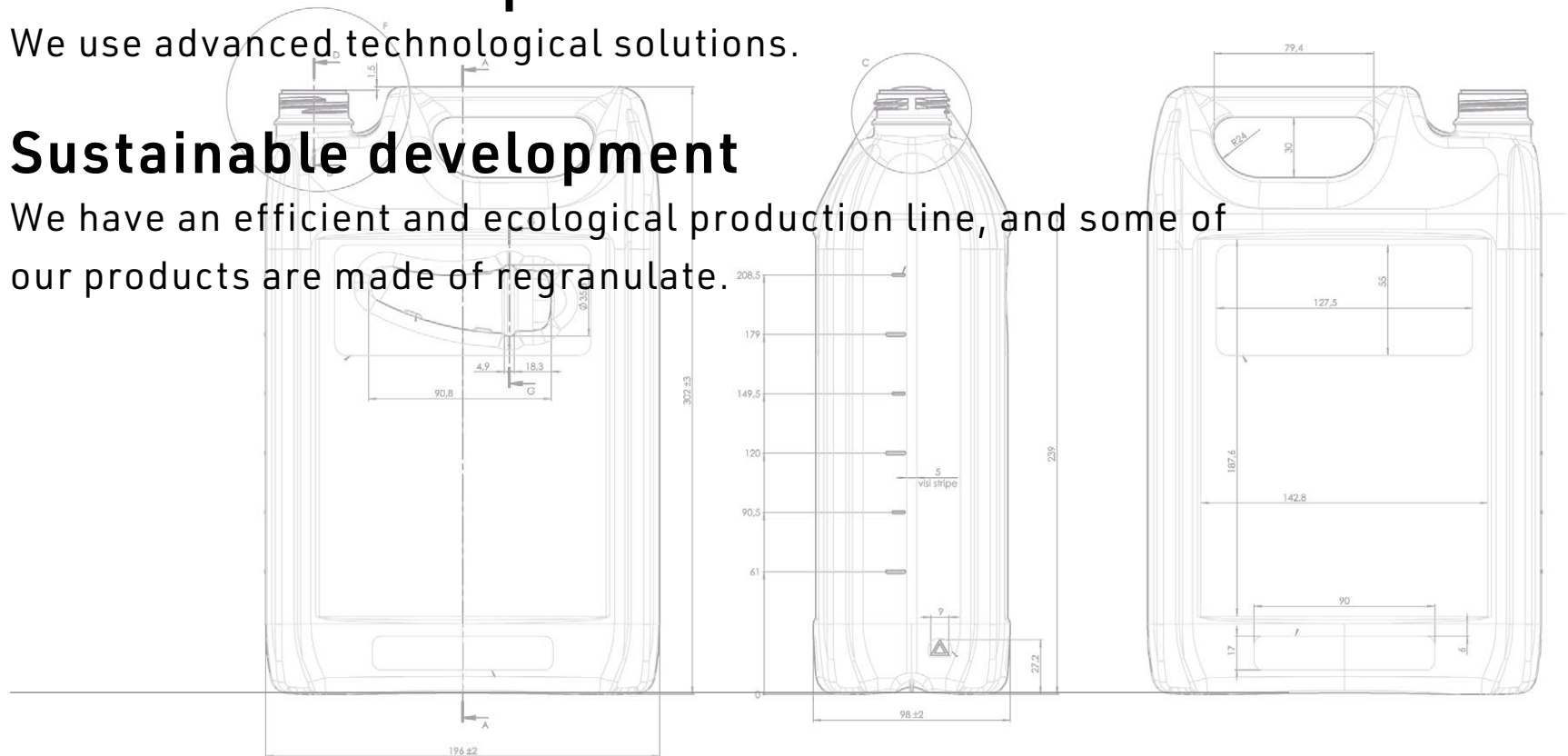
We provide support throughout the entire production process – from the chemical recipe to the delivery of finished products.

## Modern machine park

We use advanced technological solutions.

## Sustainable development

We have an efficient and ecological production line, and some of our products are made of regranulate.



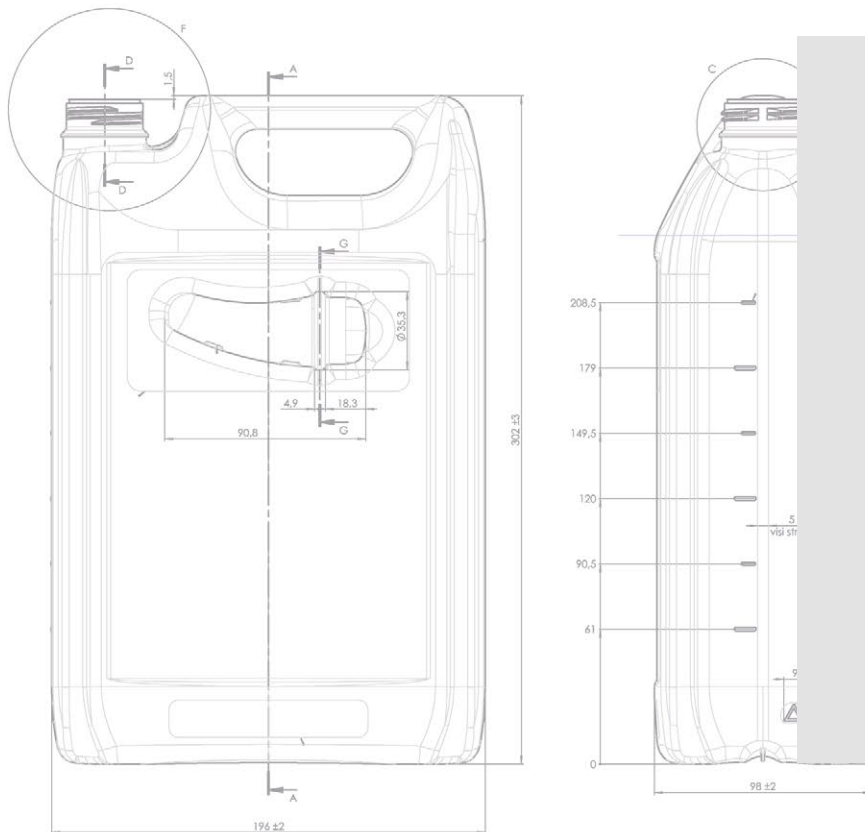
# What does the packaging configuration process look like?

---

WE GIVE YOU THE POSSIBILITY OF CHOICE

---

Our offer allows you to adjust the final product to meet the customer's expectations. All thanks to a three-step setup process. It allows you to find a solution that will best suit the brand's needs.





**1.**

## **Packaging**

We provide safe storage of 2 to 20 liters of liquid in one container.

**2.**

## **Accessories**

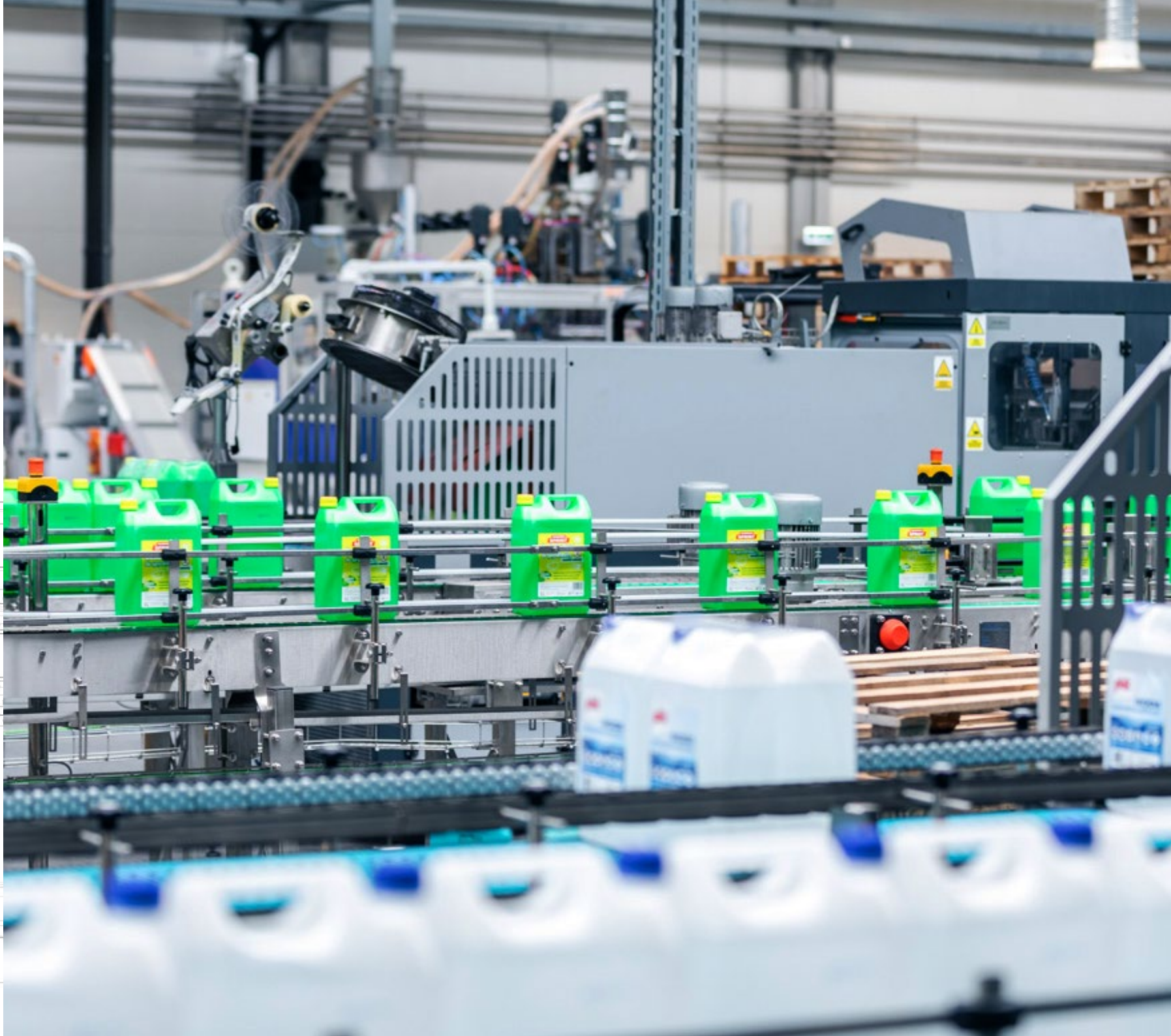
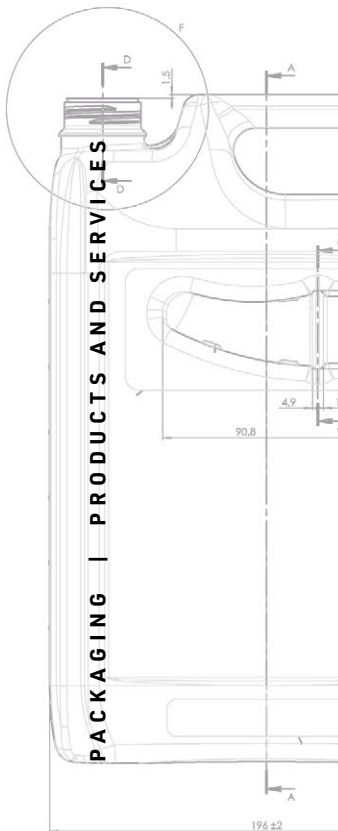
We have everything, what is necessary to guarantee the convenience of use.

**3.**

## **Personalization**

We adapt packaging for brand needs.

Never the other way around.





---

## PRODUCT LINES

---

Our offer includes three types of products.

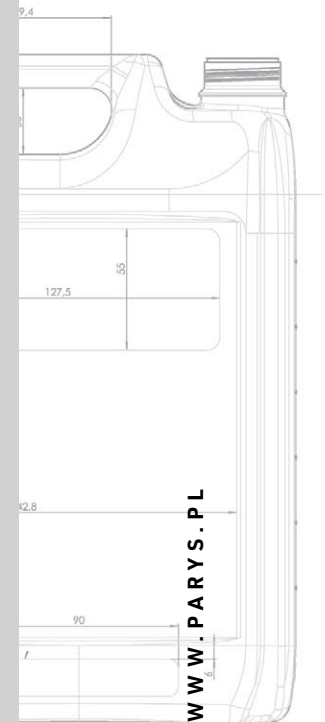
Stackable canisters are a proposal for companies that are looking for innovative solutions. They facilitate logistic processes and have a positive impact on ecology.

Standard canisters are the choice of brands that appreciate the possibility of convenient packaging adjustments.

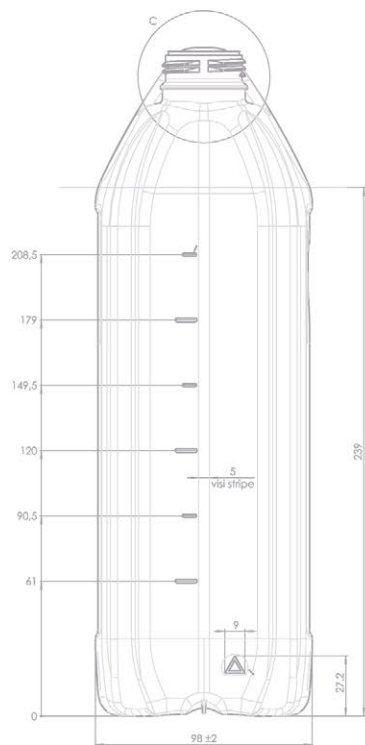
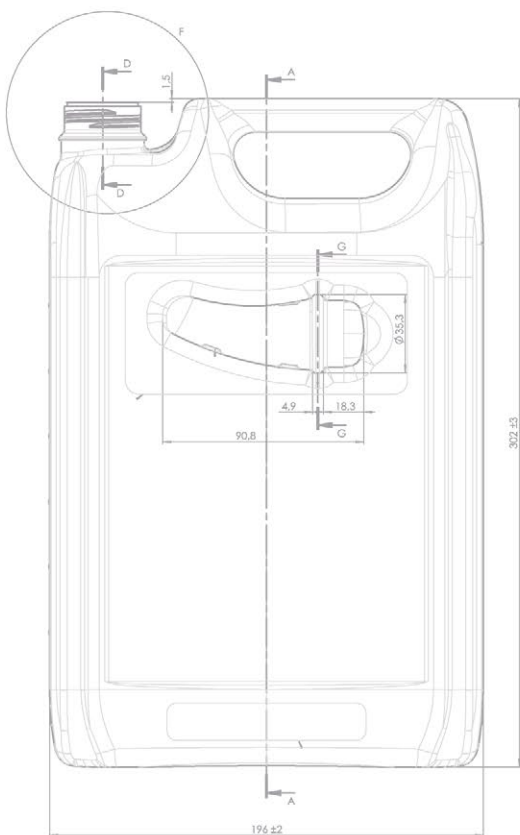
Premium canisters are an offer for enterprises that want to stand out on the shelf with an eye-catching design.

All solutions have been prepared with end users in mind to make it easier for them to use the product.

# Packaging



# Product lines



## Stackable Canisters



## Standard Canisters



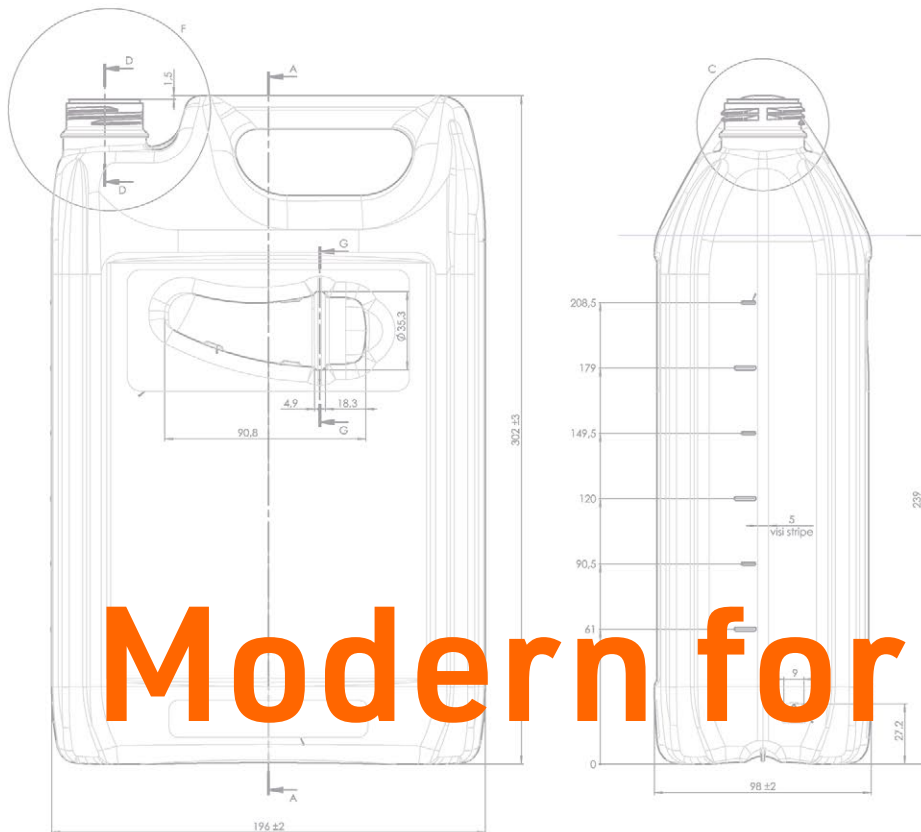
str. 24

## Premium Canisters



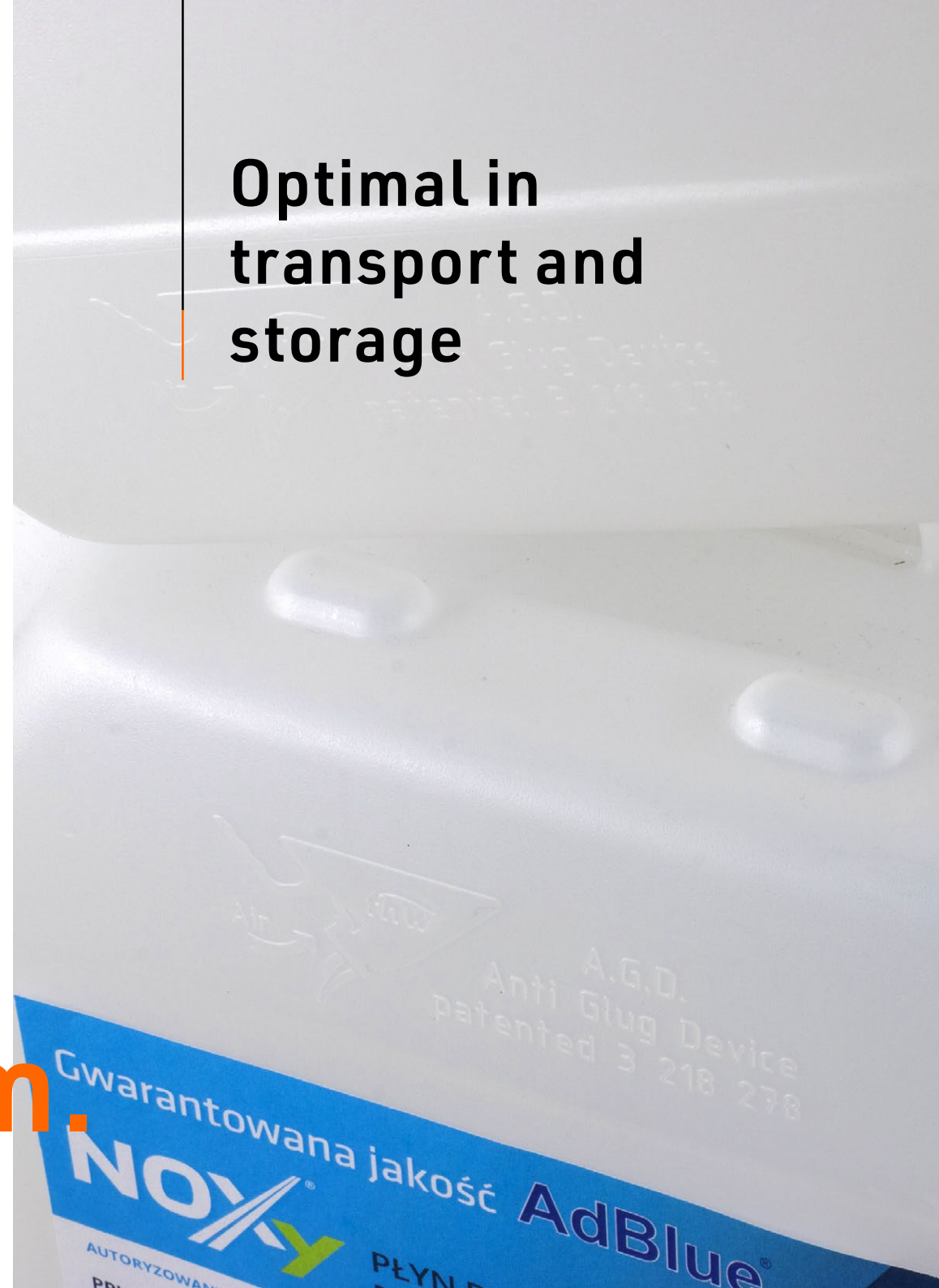
str. 34

# Stackable canisters



Modern form.

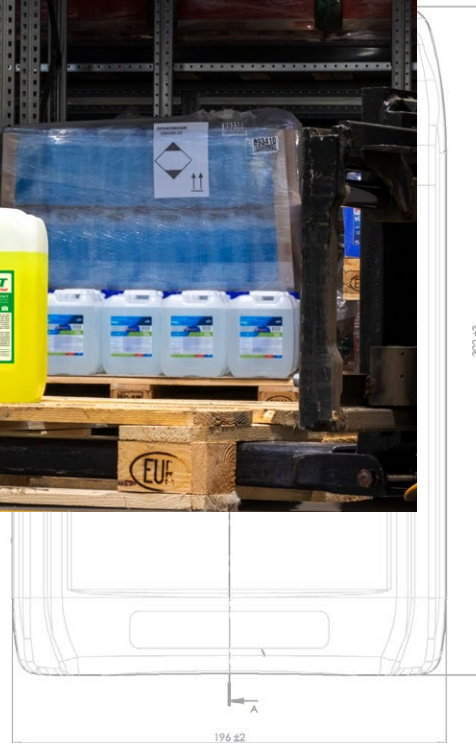
Optimal in transport and storage





Available capacities: 20l / 10l / 5l

Canister type: stackable



Our newest packaging line.

The use of modern technological solutions allows for the optimization of logistics processes. However, reducing the weight of the packaging and using regranulate have a positive effect on the environment while maintaining the highest utility standards.

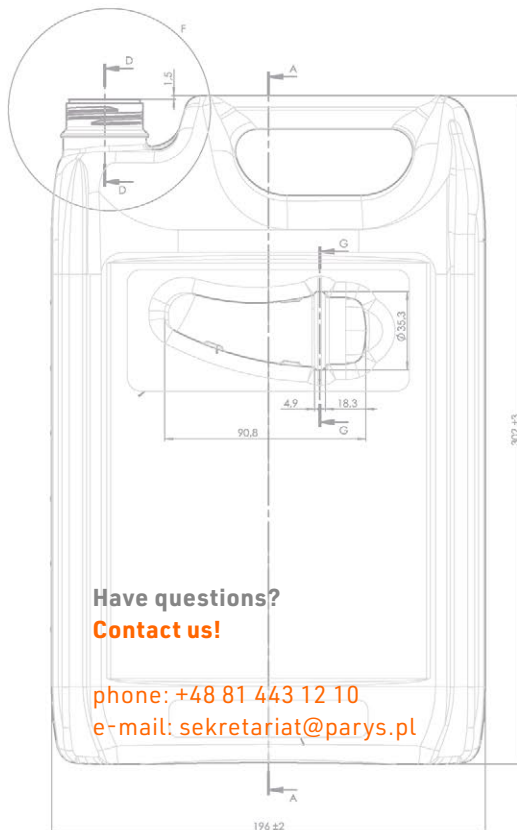
# Line characteristics

---

## ANTI-GLUG DEVICE (A.G.D.)

---

The stackable canisters use a system patented by the German company fhw moulds. It makes the application of fluids much easier and reduces the risk of spillage. This eliminates the wastage of material as well as the formation of unwanted dirt.



---

 WHAT MAKES PARYS STACKING CANISTERS SPECIAL?
 

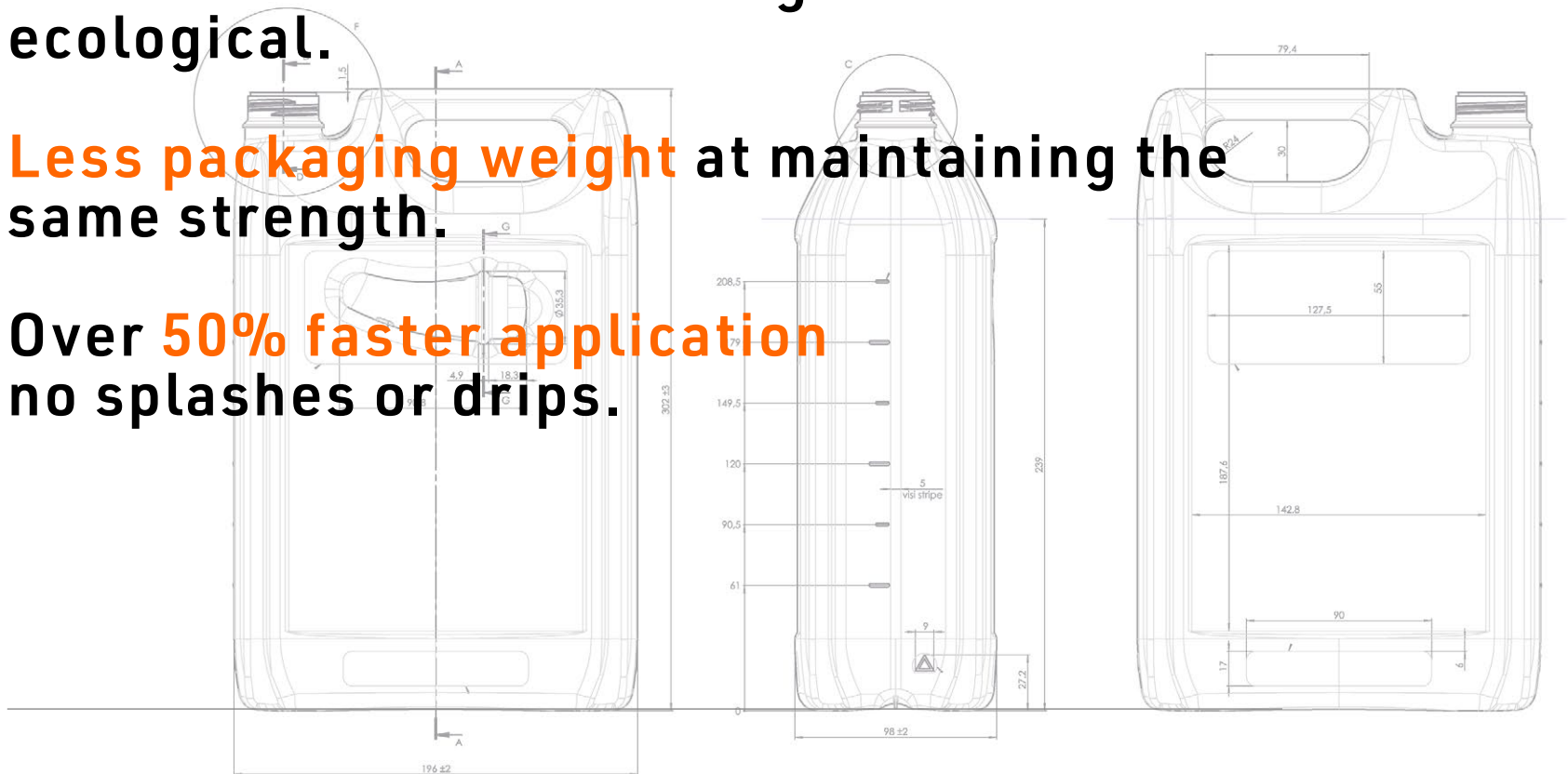
---

Possibility to automate packaging and  
 stability of the goods on the pallet.

Innovative, three-layer construction,  
 which allows the use of regranulate and is more  
 ecological.

Less packaging weight at maintaining the  
 same strength.

Over 50% faster application  
 no splashes or drips.



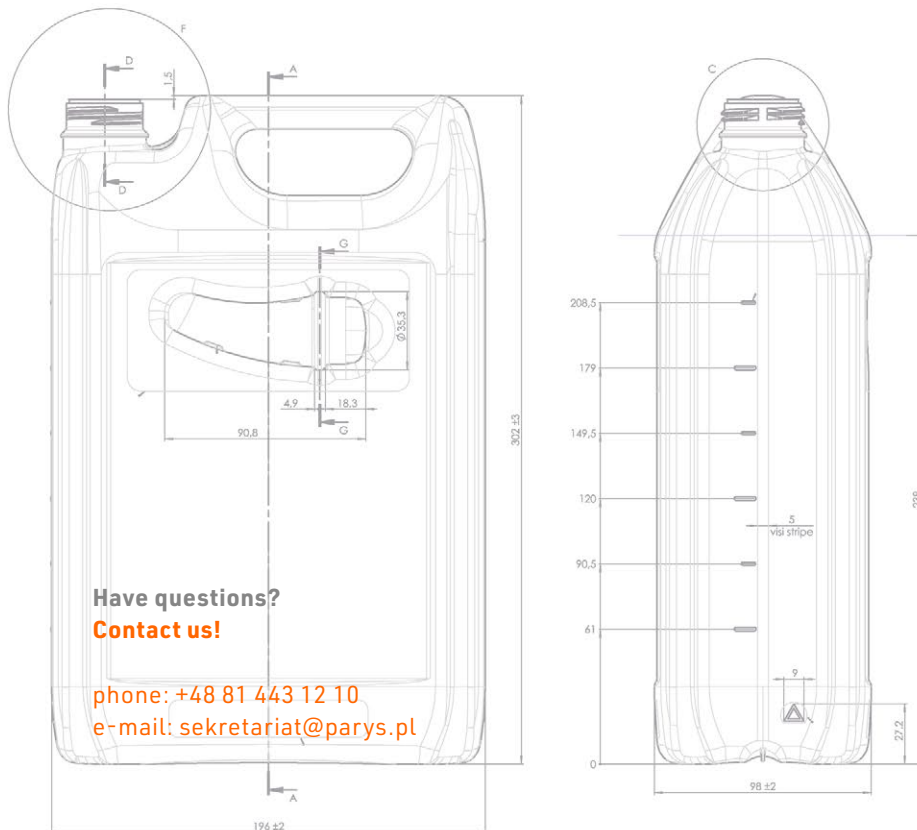
# Available capacity

## 20 liters

Canister weight: 750 – 950 g

Color of the canister: RAL

Canister dimensions (L x W x H): 292 x 255 x 388 mm





# 10 liters

Canister weight: 350 - 450g

Color of the canister: RAL

Canister dimensions (L x W x H): 234 x 192 x 314 mm



# 5 liters

Canister weight: 180 - 220g

Color of the canister: RAL

Canister dimensions (L x W x H): 196 x 145 x 258 mm

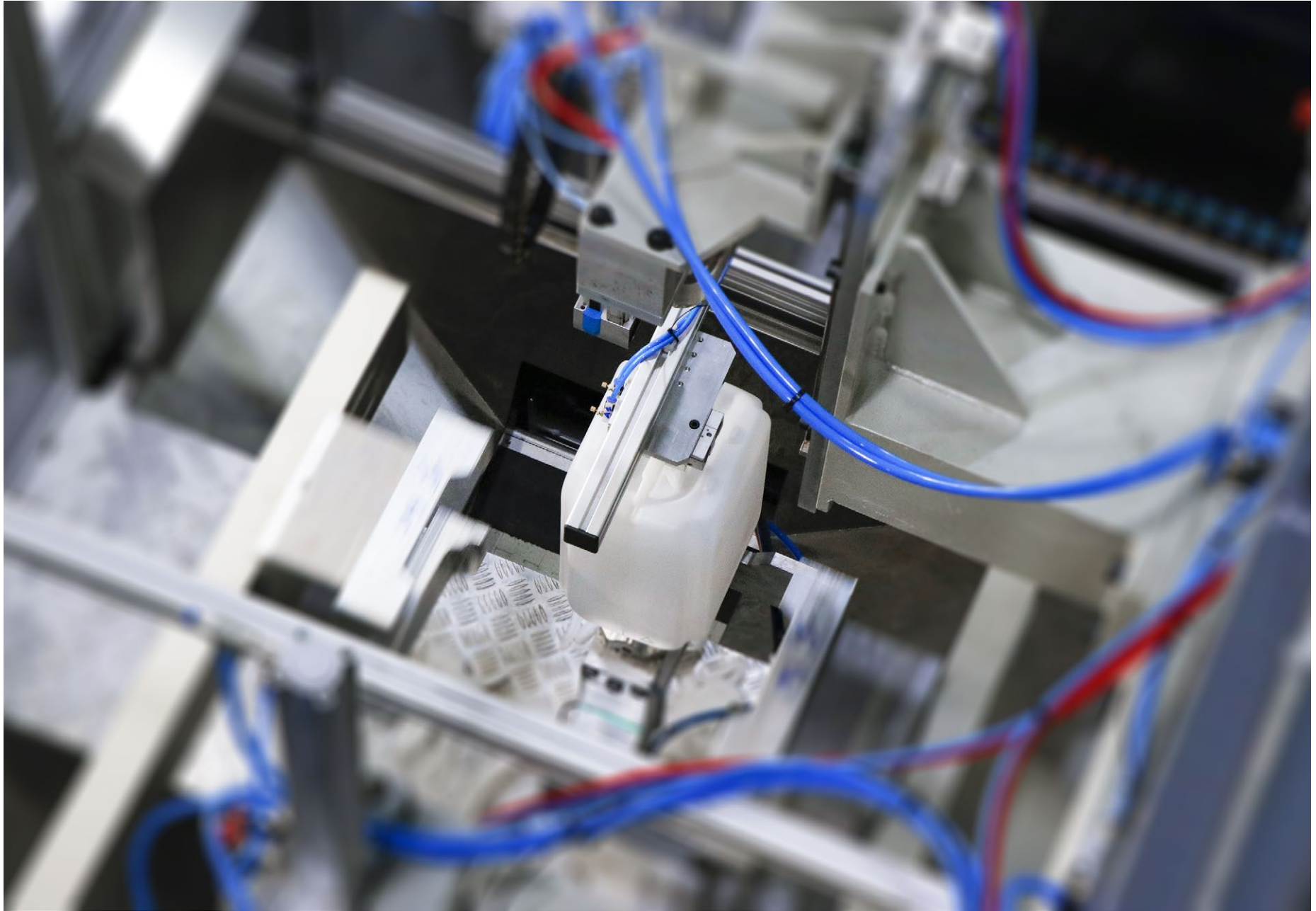


# Technical Specifications

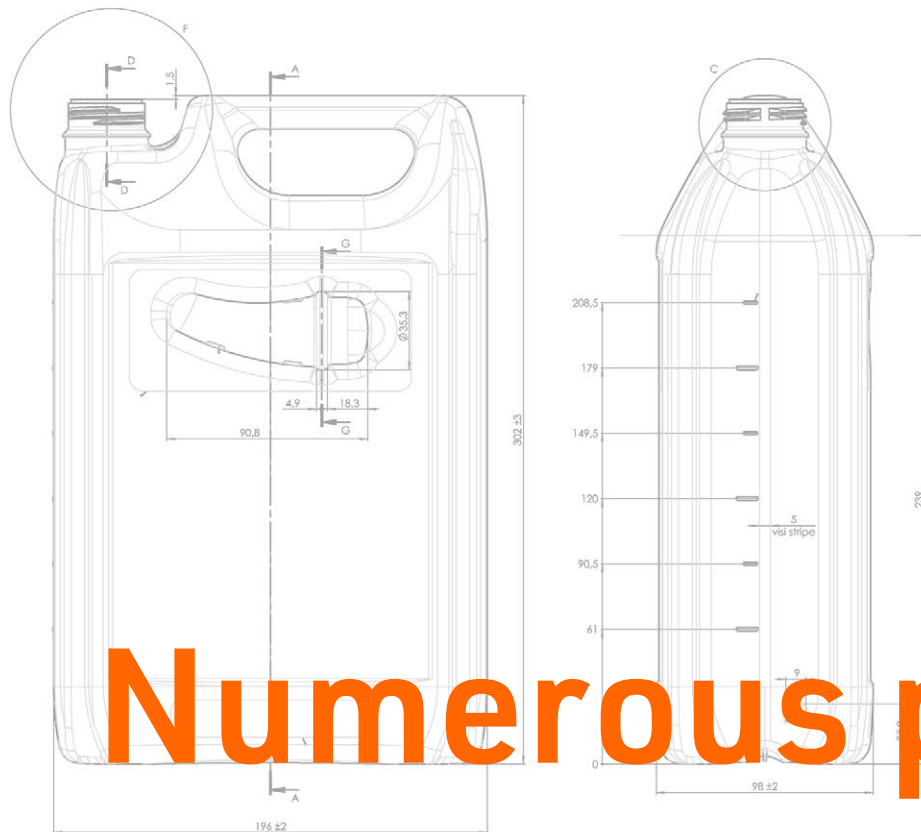
## Stackable canisters

Product line	Capacity	Weight	Dimensions	Ø neck / Ø cap	Colors	Palletization of the finished product (palette 800 x 1200)	Palletization of empty canisters (palette 800 x 1200)
Stackable canisters	20 l	750 – 950 g	L x W x H 292 x 255 x 388 mm	Ø 45 Ø 61 Ø 61 with A.G.D.	RAL	12 pieces per layer 3 layers 36 pieces per pallet	12 pieces per layer 6 layers 72 pieces per pallet
Stackable canisters	10 l	350 – 450 g	L x W x H 234 x 192 x 314 mm	Ø 45 Ø 54 (51) Ø 54 (51) with A.G.D.	RAL	20 pieces per layer 4 layers 80 pieces per pallet	20 pieces per layer 8 layers 160 pieces per pallet
Stackable canisters	5 l	180 – 220 g	L x W x H 196 x 145 x 258 mm	Ø 38 Ø 45	RAL	4 pieces in a carton 32 pieces per layer 4 layers 128 pieces per pallet	32 pieces per layer 10 layers 320 pieces per pallet

Permanent engravings (bottom of packaging): PARYS logo / fhw logo / socket number / date stamp / HDPE marking



# Standard canisters



Numerous possibilities.

Convenience of  
use and production  
flexibility





An excellent choice for companies with a wide range of products responding to various customer needs. These packages are handy, and aesthetic and always fulfill their function.

Available capacities: 5l / 4l / 3,5l

Canister Type: Standard



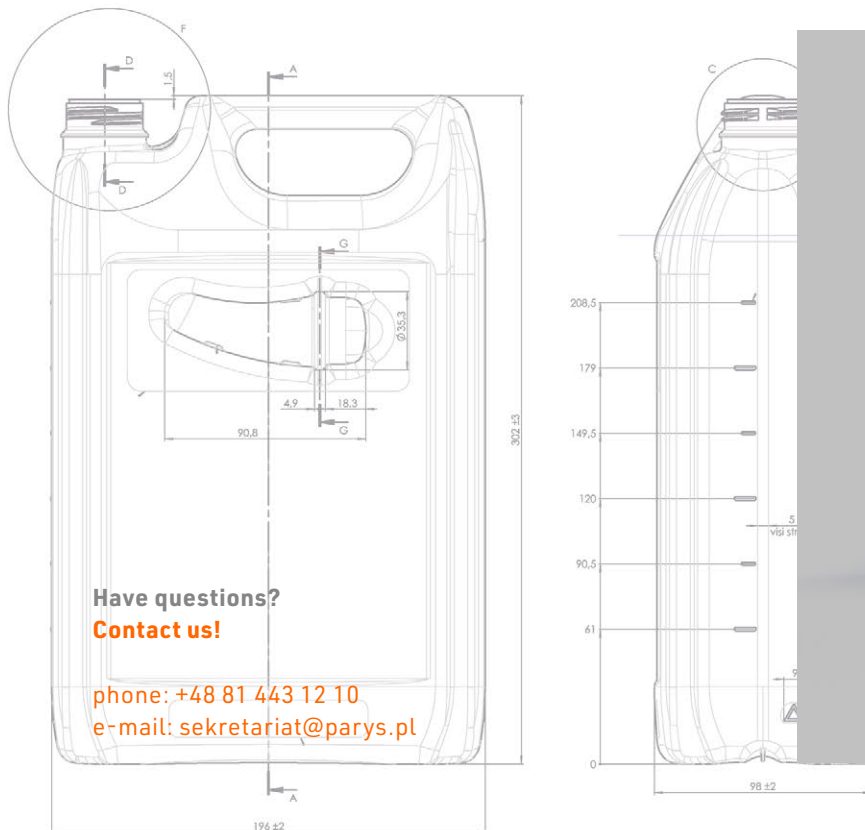
# Line characteristics

---

## HIGH FUNCTIONALITY

---

Standard canisters can be easily adapted to customer needs. Whether it's adding unique accessories, creating a characteristic label, or the location of the necessary markings.



---

 WHAT MAKES PARYS STANDARD CANISTERS SPECIAL?
 

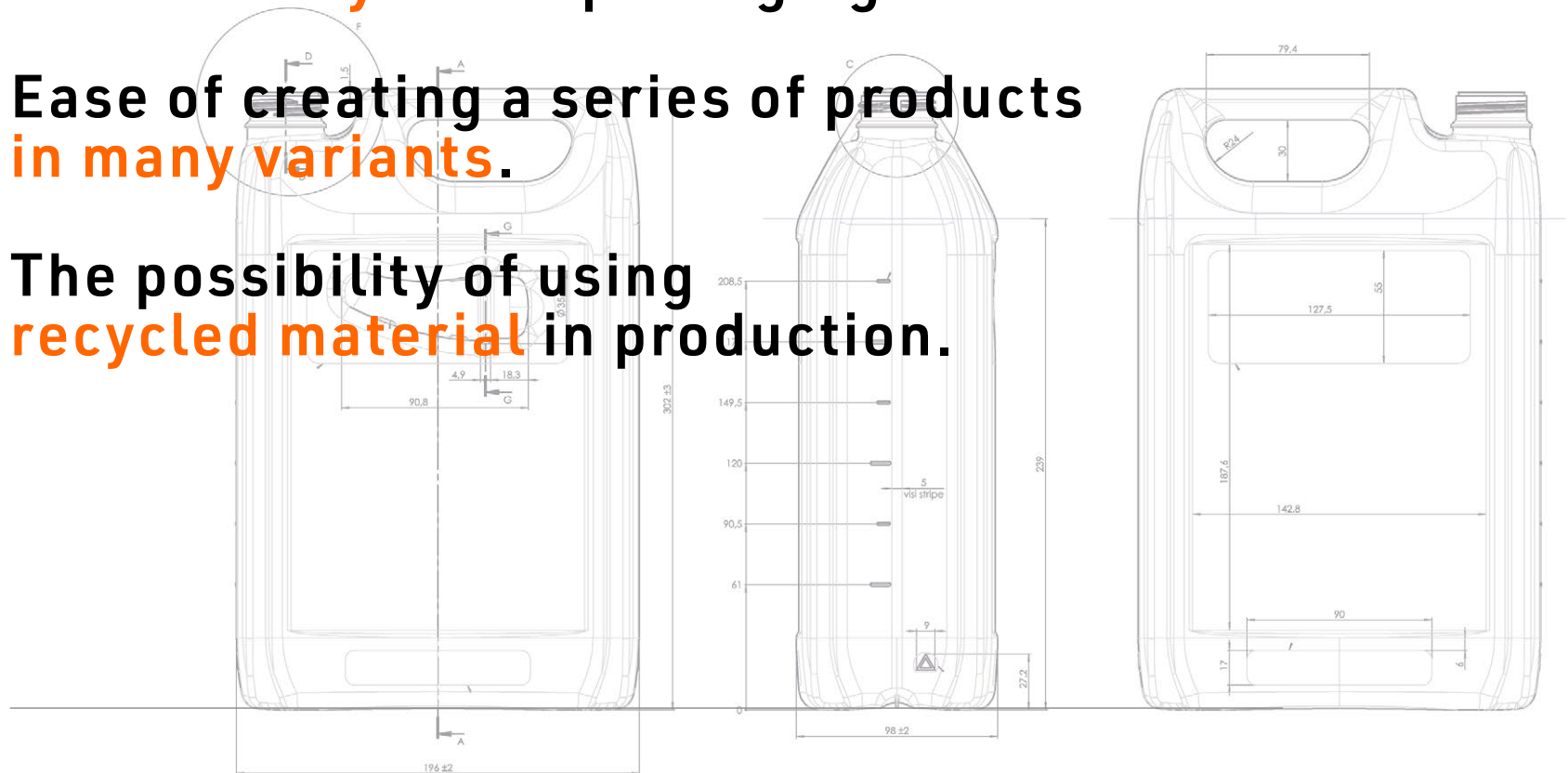
---

**Affordable price** while maintaining high quality parameters.

**High strength and stability** of the packaging.

**Ease of creating a series of products in many variants.**

**The possibility of using recycled material in production.**



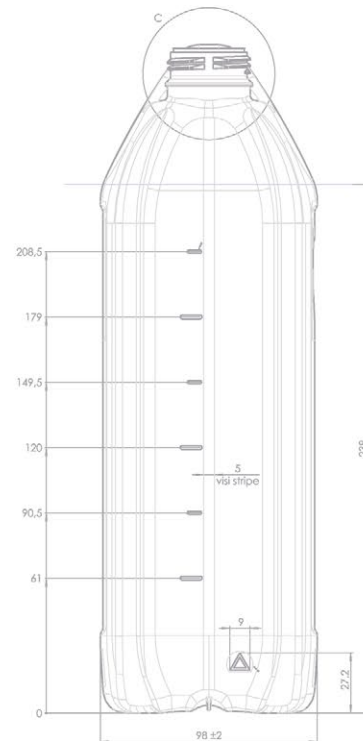
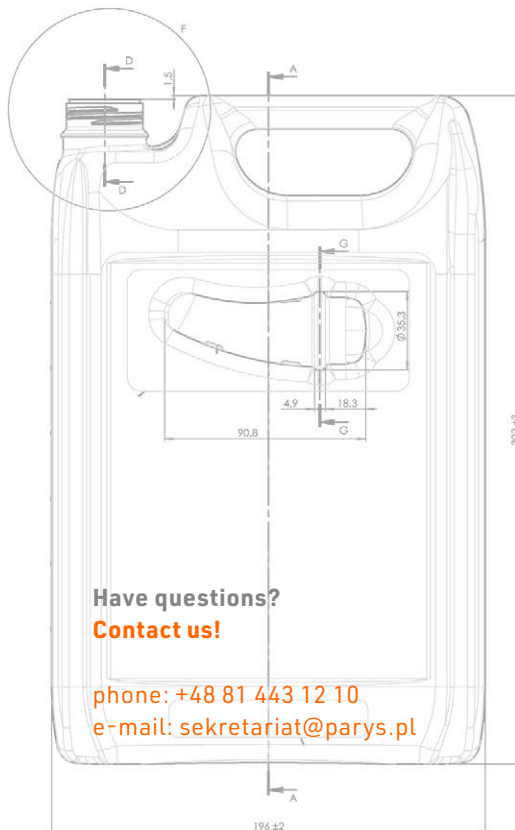
# Capacities available

## 5 liters

Canister weight: 130 – 170 g

Canister colors: RAL

Canister dimensions (L x W x H): 198 x 118 x 302 mm





## 4 liters

Canister weight: 125 - 160g

Canister colors: RAL

Canister dimensions (L x W x H): 196 x 98 x 302 mm



## 3,5 liters

Canister weight: 125g

Canister colors: RAL

Canister dimensions (L x W x H): 196 x 98 x 271 mm



## 2 liters

Canister weight: 100 g

Canister colors: RAL

Canister dimensions (L x W x H): 144 x 73 x 256 mm



## 1 liter

Canister weight: 55 g

Canister colors: RAL

Canister dimensions (L x W x H): 117 x 61 x 209 mm



# PET CONTAINERS

## COMING SOON



# Technical Specifications

## Standard canisters

Product line	Capacity	Weight	Dimensions	Ø neck / Ø cap	Colors	Palletization of the finished product (palette 800 x 1200)	Palletization of empty canisters (palette 800 x 1200)
Standard canisters	5 l	130 - 170 g	L x W x H 198 x 118 x 302 mm	Ø 38	RAL	4 pieces in a case 40 pieces per layer 3 layers 120 pieces per pallet	40 pieces per layer 8 layers 320 pieces per pallet
Standard canisters	4 l	125 - 160 g	L x W x H 196 x 98 x 302 mm	Ø 38	RAL	4 pieces in a case 48 pieces per layer 3 layers 144 pieces per pallet	48 pieces per layer 8 layers 384 pieces per pallet
Standard canisters	3,5 l	125g	L x W x H 196 x 98 x 271 mm	Ø 38	RAL	4 pieces in a case 48 pieces per layer 4 layers 192 pieces per pallet	48 pieces per layer 8 layers 384 pieces per pallet
Standard canisters	2 l	100 g	L x W x H 144 x 73 x 256 mm	Ø 38	RAL	10 pieces in a case 80 pieces per layer 4 layers 320 pieces per pallet	88 pieces per layer 9 layers 792 pieces per pallet
Standard canisters	1 l	55 g	L x W x H 117 x 61 x 209 mm	Ø 38	RAL	10 pieces in a case 130 pieces per layer 5 layers 650 pieces per pallet	130 pieces per layer 11 layers 1430 pieces per pallet

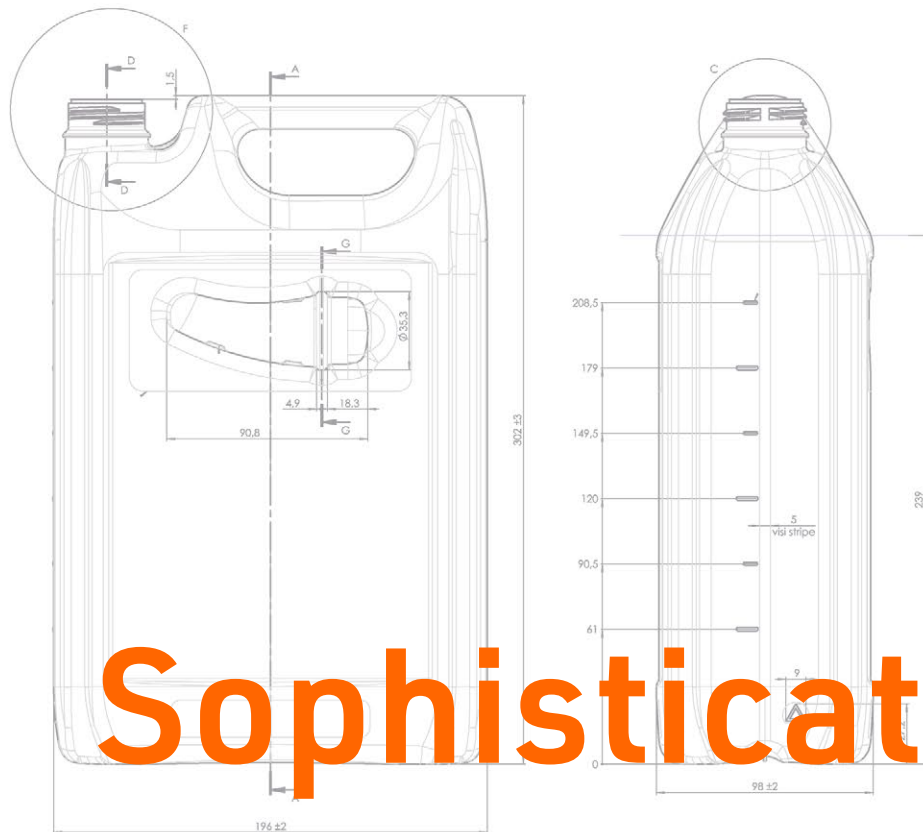
Permanent engravings (bottom of packaging): PARYS logo / fhw logo / socket number / date stamp / HDPE marking







# Premium Canisters



Sophisticated design.



Eye-catching packaging

Premium canisters are the perfect solution for brands that want to stand out on the store shelf and attract the customer's eye. All thanks to a clear line and a rich form of packaging. Here's what the best products look like.

Available capacities: 4l / 2l

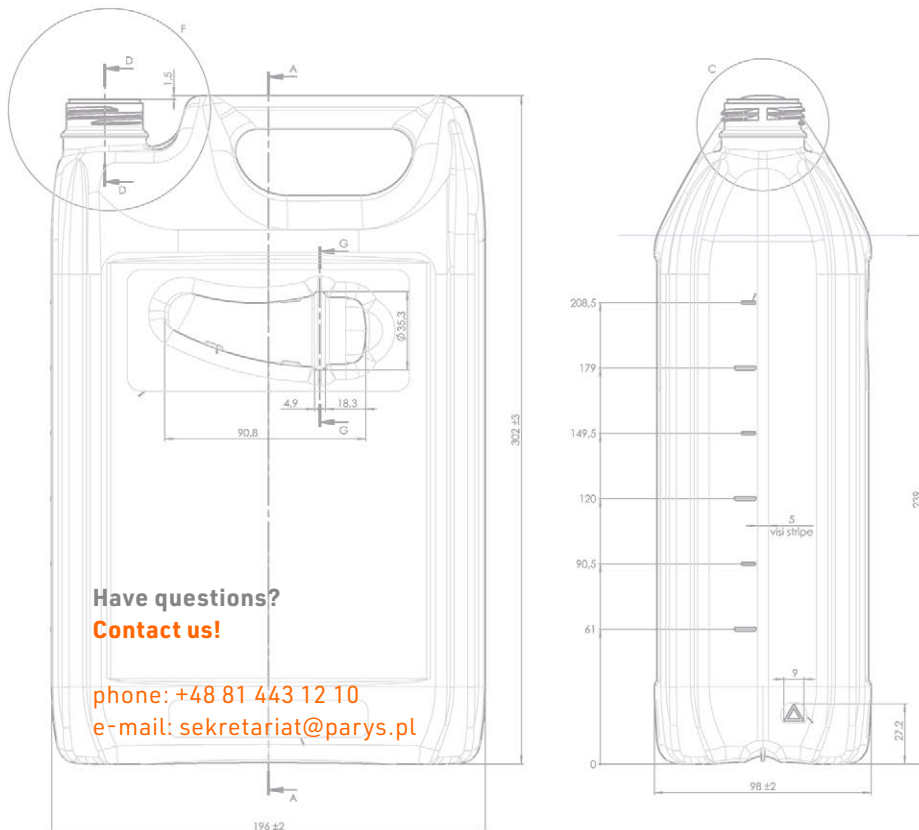
Canister Type: Premium



# Line characteristics

## MODERN FORM

Products addressed to end users must meet the highest industrial design standards and combine usability with aesthetic and appearance. These are the canisters from the Premium line.





---

WHAT MAKES PARYS PREMIUM CANISTERS SPECIAL?

---

**Sculpted form**  
that catches the eye.

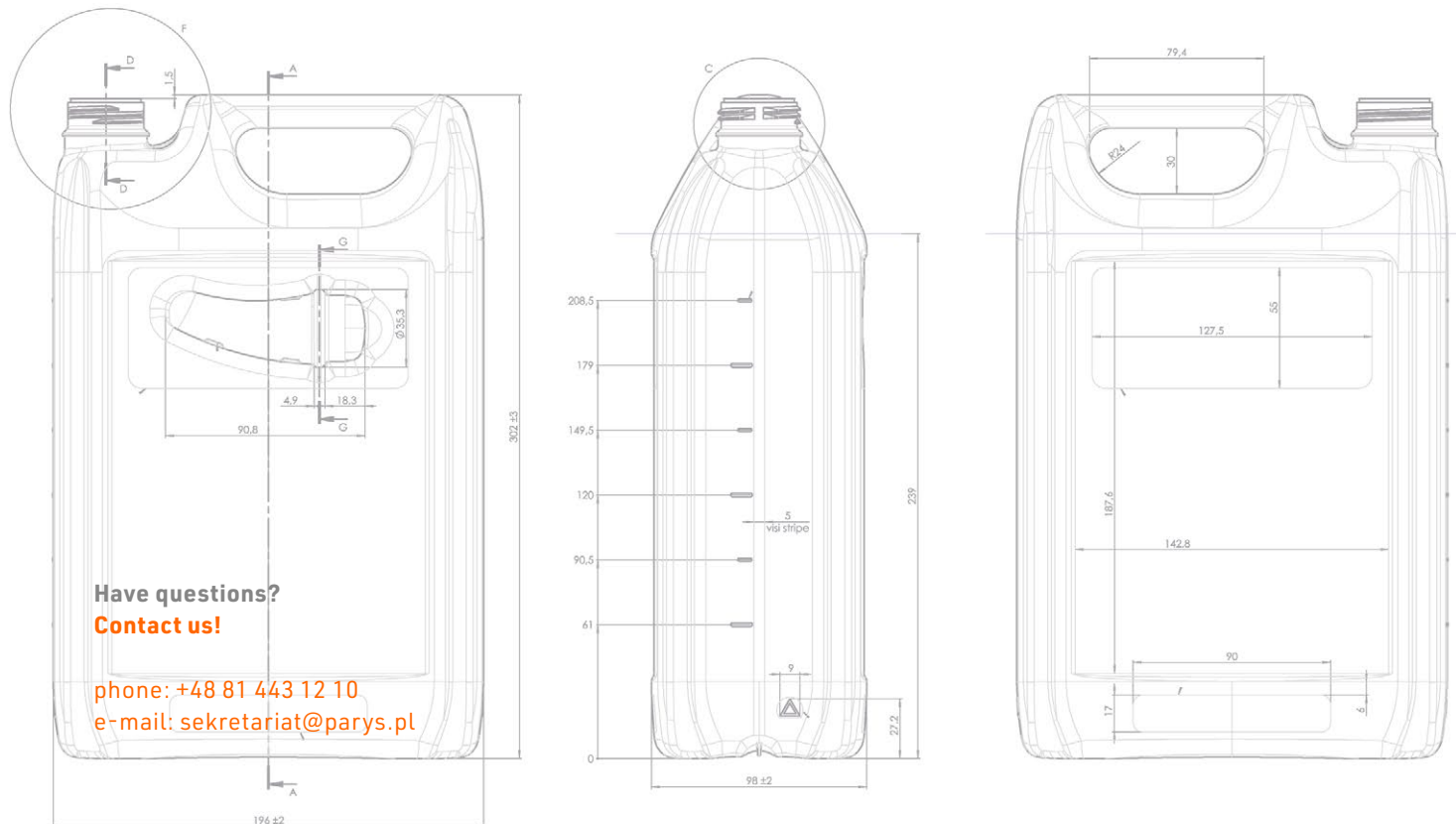
**A standout on the shelf,**  
modern design.

High **strength and stability** of the  
packaging.

**Funnel integrated into the packaging.**



# Available capacities



## 4 liters

Canister weight: 160 – 180 g

Color of the canister: RAL

Canister dimensions (L x W x H): 223 x 96 x 320 mm



## 2 liters

Canister weight: 85 – 100 g

Color of the canister: RAL

Canister dimensions (L x W x H): 184 x 76 x 247 mm



# Technical Specifications

## Premium Canisters

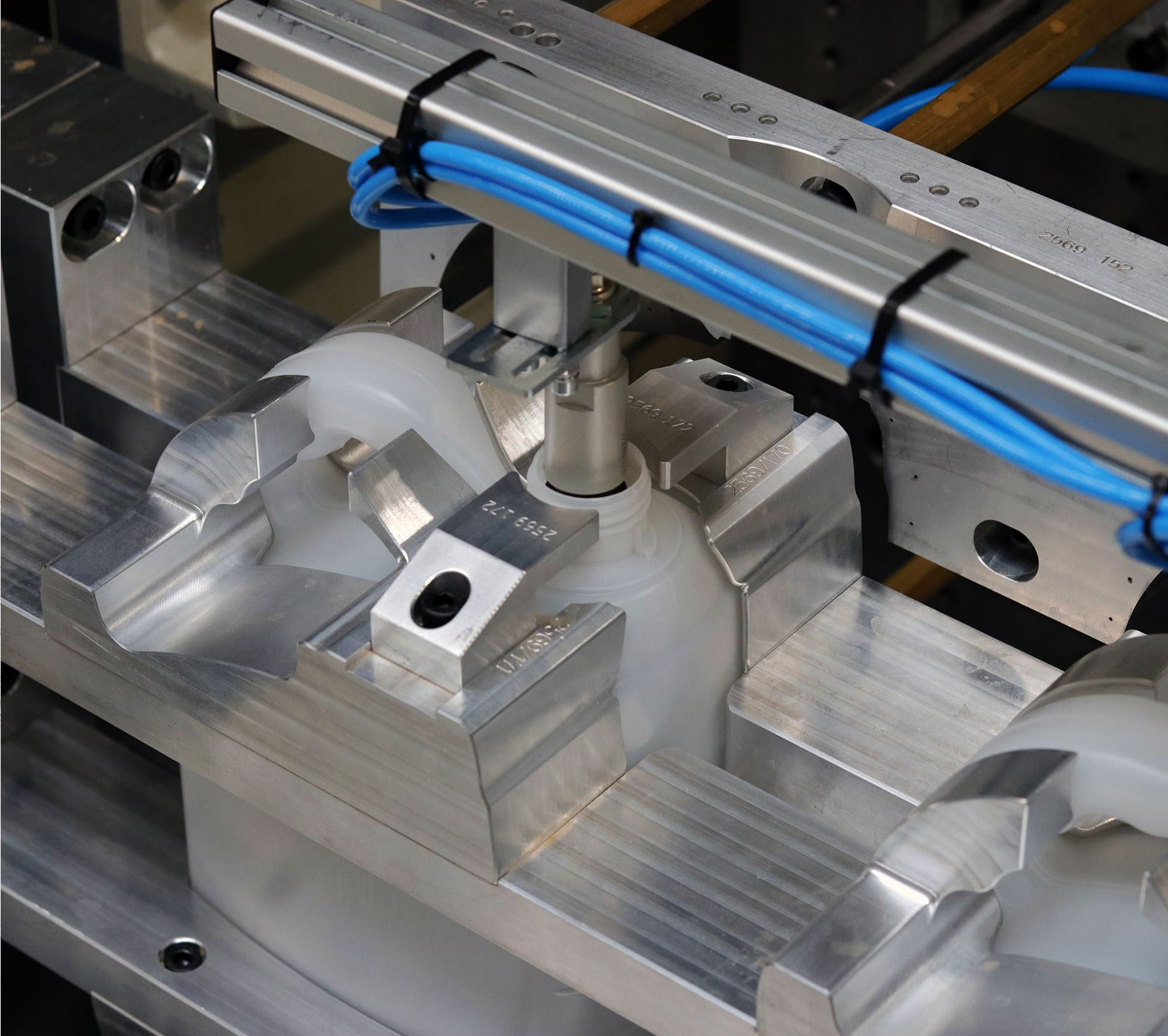
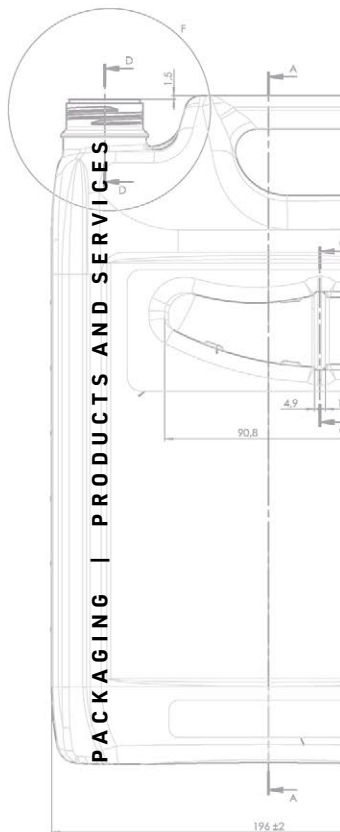
Product line	Capacity	Weight	Dimensions	Ø neck / Ø cap	Colors	Palletization of the finished product (palette 800 x 1200)	Palletization of empty canisters (palette 800 x 1200)
Premium Canisters	4 l	160 – 180 g	L x W x H 223 x 96 x 320 mm	Ø 38	RAL	4 pieces in a case 40 pieces per layer 3 layers 120 pieces per pallet	43 pieces per layer 8 layers 344 pieces per pallet
Premium Canisters	2 l	85 – 100 g	L x W x H 184 x 76 x 247 mm	Ø 38	RAL	4 pieces in a case 68 pieces per layer 4 layers 272 pieces per pallet	64 pieces per layer 10 layers 640 pieces per pallet

Permanent engravings (bottom of packaging): PARYS logo / fhw logo / socket number / date stamp / HDPE marking









---

## PACKAGING CUSTOMIZATION POSSIBILITIES

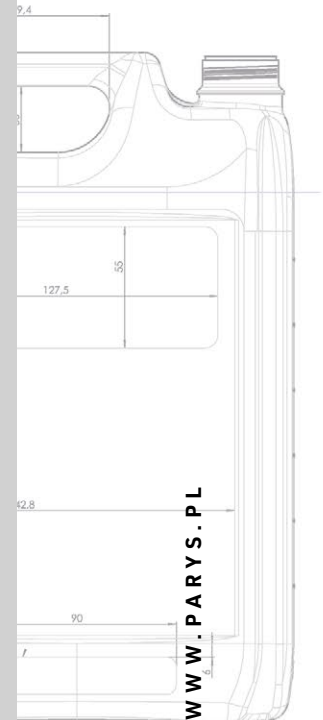
---

All our packaging is created with end users in mind because we want them to be easy and convenient to use.

That's why we don't just give brands a choice between different lines, but we also allow you to customize specific solutions.

Thanks to this, the packaging fulfills its task and looks aesthetically.

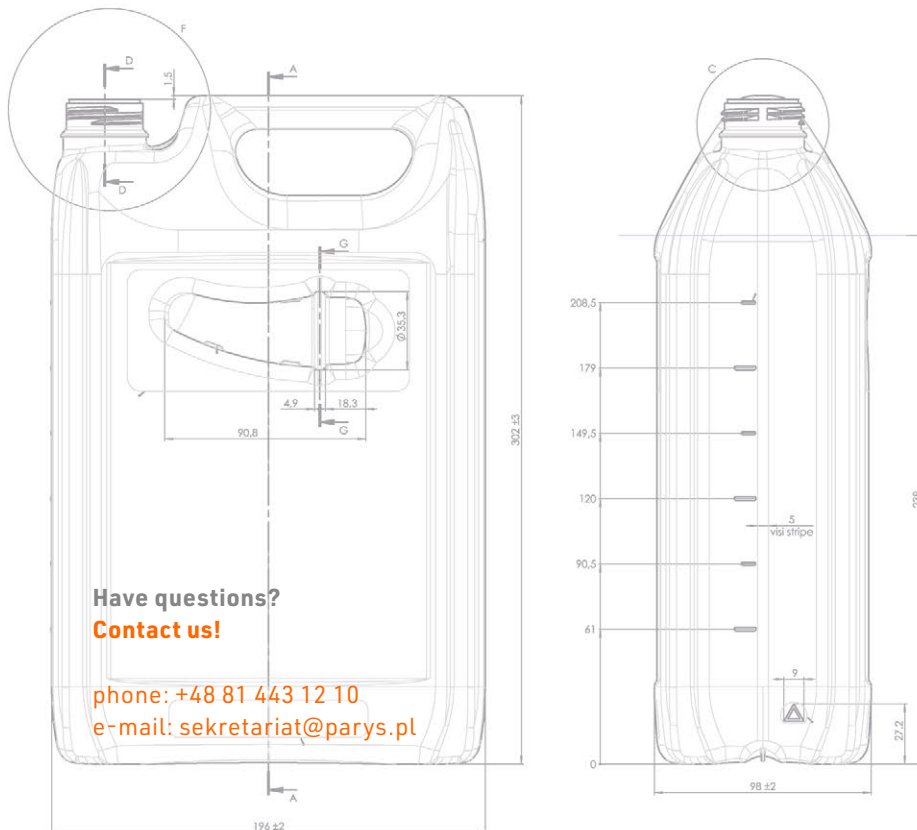
# Accessories and personalization



# Basic visual elements

## COLORS OF THE PACKAGING

We produce packaging in any color from the RAL palette to best meet the needs of the brand and customer expectations. We can also propose a specific solution that will complement the label design.





---

## CAP COLORS

---

We give you a choice so that the caps can be in the following colors: black, red, blue, green, yellow, orange or silver. Thanks so they will be the same color as the rest of the package or will be stand out against its background.



---

## ADDITIONAL ACCESSORIES

---

We offer e.g. the possibility of adding a seal, which proves that the packaging has never been opened or secured, impeding access for children. It is also possible to apply special markings (e.g. vision bar) and embossing of the logotype.





# Accessories and personalization

## Stackable canisters

### ADDITIONAL ACCESSORIES

	<b>Bericap cap option:</b> standard or with seal / child proof option	<b>Cap colors</b>	<b>Vertical funnel for AdBlue</b>	<b>Funnel for washer fluids</b>	<b>Option without funnel</b>	<b>Anti Glug Device (A.G.D.) option</b>
20 l	+	black / red / blue / green / yellow / orange / silver / other options to be agreed	+	-	+	+
10 l	+	black / red / blue / green / yellow / orange / silver / other options to be agreed	+	-	+	+
5 l	+	black / red / blue / green / yellow / orange / silver / other options to be agreed	-	-	+	-

Ø 61

Ø 54 (51)

## PACKAGING ELEMENTS

	Vision Bar	Graduation (permanent engraving)	Warning triangle for the blind	UV filter	UN mark	Logo embossing
20 l	+	+	+	+	+ UN 3H1/Y1,5/150/...*/PL/ ŁIT-COBRO 2250/PARY till 1,5g/cm <sup>3</sup> gr. pak. II i III	+ embossing on the front and back of the package
10 l	+	+	+	+	+ UN 3H1/Y1,5/150/...*/PL/ ŁIT-COBRO 2255/PARY till 1,5g/cm <sup>3</sup> gr. pak. II i III	+ embossing on the front and back of the package
5 l	+	+	+	+	+ UN 3H1/Y1,4/...*/PL/ COBRO 2119/PARY till 1,4g/cm <sup>3</sup> gr. pak. II i III	+ embossing on the front and back of the package (if UN only at the back)

\*- year of production /last two digits/

# Accessories and personalization

## Standard canisters

### ADDITIONAL ACCESSORIES

	<b>Bericap cap option:</b> standard or with seal / child proof option	<b>Cap colors</b>	<b>Vertical funnel for AdBlue</b>	<b>Funnel for washer fluids</b>	<b>Option without funnel</b>	<b>Anti Glug Device (A.G.D.) option</b>
5 l	+	black / red / blue / green / yellow / orange / silver / other options to be agreed	+	+	+	-
4 l	+	black / red / blue / green / yellow / orange / silver / other options to be agreed	-	+	+	-
3,5 l	+	black / red / blue / green / yellow / orange / silver / other options to be agreed	-	+	+	-
2 l	+	black / red / blue / green / yellow / orange / silver / other options to be agreed	-	-	+	-
1 l	+	black / red / blue / green / yellow / orange / silver / other options to be agreed	-	-	+	-

## PACKAGING ELEMENTS

	Vision Bar	Graduation (permanent engraving)	Warning triangle for the blind	UV filter	UN mark	Logo embossing
5 l	+	+	+	+	+ UN 3H1/Y1,6/150/...*/PL/ COBRO 2122/PARY till 1,6g/cm <sup>3</sup> gr. pak. II i III	+ embossing on the front and back of the packaging (if packaging with a spray funnel, only the back)
4 l	+	+	+	+	+ UN 3H1/Y1,5/100/...*/PL/ ŁIT-COBRO 2319/PARY do 1,5g/cm <sup>3</sup> gr. pak. II i III	+ embossing on the front and back of the packaging (if packaging with a spray funnel, only the back)
3,5 l	+	+	+	+	- not certified, provided insert for UN mark	+ embossing on the front and back of the packaging (if packaging with a spray funnel, only the back)
2 l	+	+	+	+	-	-
1 l	+	+	+	+	-	-

\*- year of production /last two digits/

# Accessories and personalization

## Premium Canisters

### AKCESORIA DODATKOWE

	<b>Bericap cap option:</b> standard or with seal / child proof option	<b>Cap colors</b>	<b>Vertical funnel for AdBlue</b>	<b>Funnel for washer fluids</b>	<b>Option without funnel</b>	<b>Anti Glug Device (A.G.D.) option</b>
4 l	+	black / red / blue / green / yellow / orange / silver / other options to be agreed	-	+	+	-
2 l	+	black / red / blue / green / yellow / orange / silver / other options to be agreed	-	-	+	-



## PACKAGING ELEMENTS

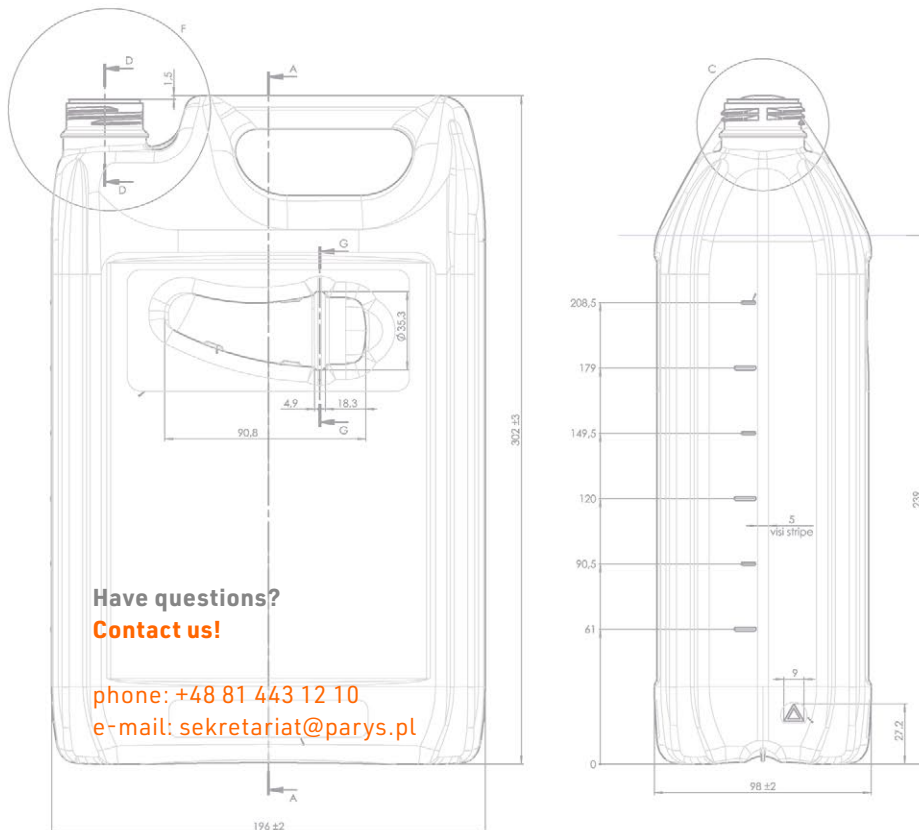
	Vision Bar	Graduation (permanent engraving)	Warning triangle for the blind	UV filter	UN mark	Logo embossing
4 l	+	+	+	+	-	-
2 l	+	+	+	+	-	-

# Product labels

---

## WHAT CAN WE PRINT?

---



### Material

- PE or PP foil with an adhesive adapted to the substrate and product specification
- It is possible to print on different foils (e.g. white, transparent, metallised foils)

### Color

- printing from the CMYK palette
- printing from the Pantone palette
- printing from the CMYK + Pantone palette

### Print enhancements

- It is possible to use a hologram foil, cold stamping, hot stamping, fluorescent inks and others

### Print protection

- It is possible to use print security solutions (e.g. use of highly light-fast inks, ensuring minimization of fading of the label during outdoor exposure or laminate abrasion resistant).

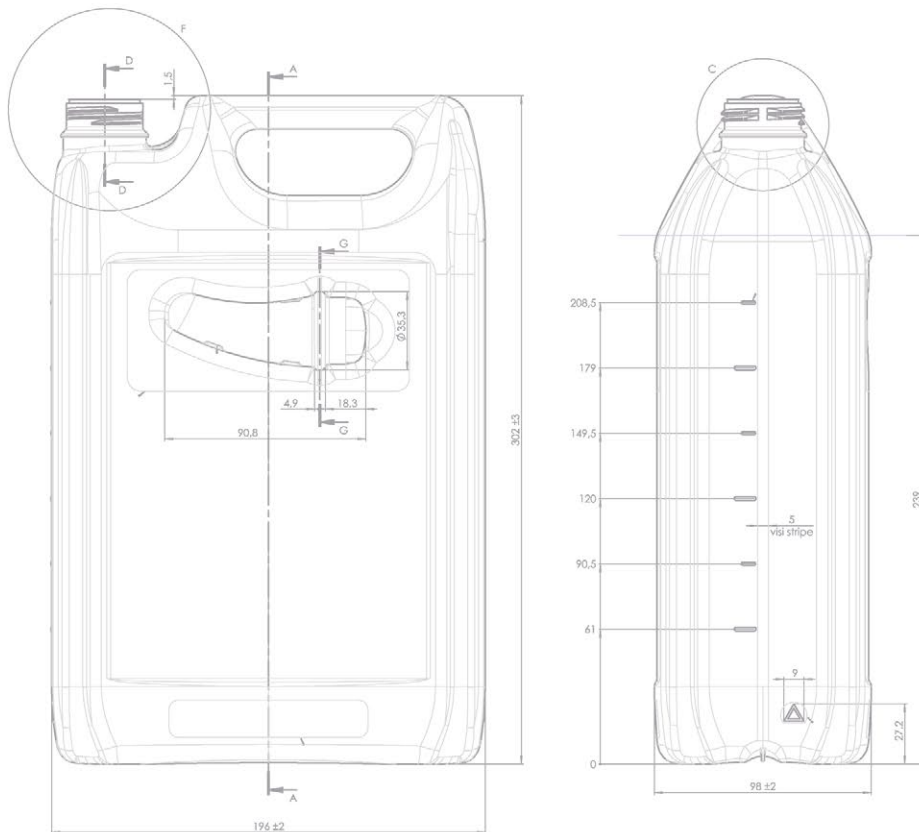
PRODUCT LINE		LABELING BOX DIMENSIONS (W X H)				SUGGESTED LABEL DIMENSION (W X H)			
			Canister with embossed customer's logo	Canister with funnel for washer fluids	Canister with funnel for AdBlue		Canister with embossed customer's logo	Canister with funnel for washer fluids	Canister with funnel for AdBlue
Stackable canisters	20l	181,7 × 202,2 mm	181,7 × 202,2 mm	-	181,7 × 202,2 mm	170 × 190 mm	170 × 190 mm	-	170 × 190 mm
Stackable canisters	10l	171,8 × 189,5 mm	171,8 × 189,5 mm	-	171,8 × 189,5 mm	160 × 180 mm	160 × 180 mm	-	160 × 180 mm
Stackable canisters	5l	146,6 × 159 mm	146,6 × 159 mm	-	146,6 × 159 mm	120 × 150 mm	120 × 150 mm	-	120 × 150 mm
Standard canisters	5l	136,7 × 184,6 mm	136,7 × 140 mm	136,7 × 123 mm	136,7 × 184,6 mm	130 × 160 mm	depending on the shape of the logo	130 × 122 mm	130 × 175 mm
Standard canisters	4l	142,8 × 187,6 mm	142,8 × 142 mm	142,8 × 129 mm	-	130 × 160 mm	depending on the shape of the logo	137 × 125 mm	-
Standard canisters	3,5l	142,8 × 156,6 mm	142,8 × 98,8 mm	142,8 × 98,8 mm	-	120 × 150 mm	depending on the shape of the logo	130 × 100 mm	-
Standard canisters	2l	116 × 146 mm	-	-	-	100 × 135 mm	-	-	-
Standard canisters	1l	91 × 126 mm	-	-	-	83 × 116 mm	-	-	-
Premium Canisters	4l	152,9 × 181,3 mm	-	front 157 × 117 mm back 152,9 × 181,3 mm	-	152 × 181,3 mm	-	front 157 × 117 mm back 152,9 × 181,3 mm	-
Premium Canisters	2l	124,1 × 137,5 mm	-	-	-	124 × 137,5 mm	-	-	-

# Label design proces

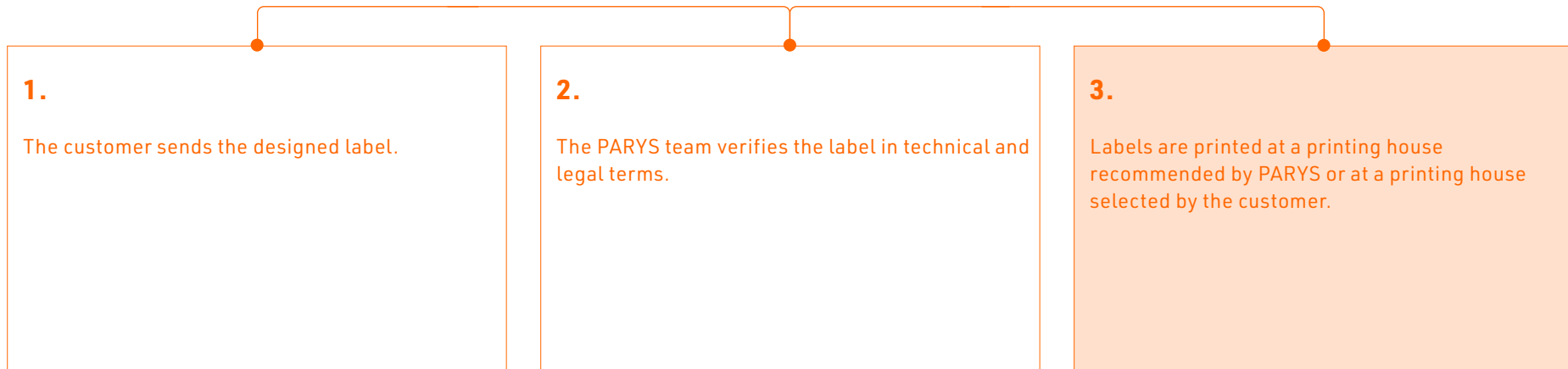
## WE HELP IN DESIGNING

We are well aware of the importance of the product label. Therefore, we have prepared two solutions for our partners.

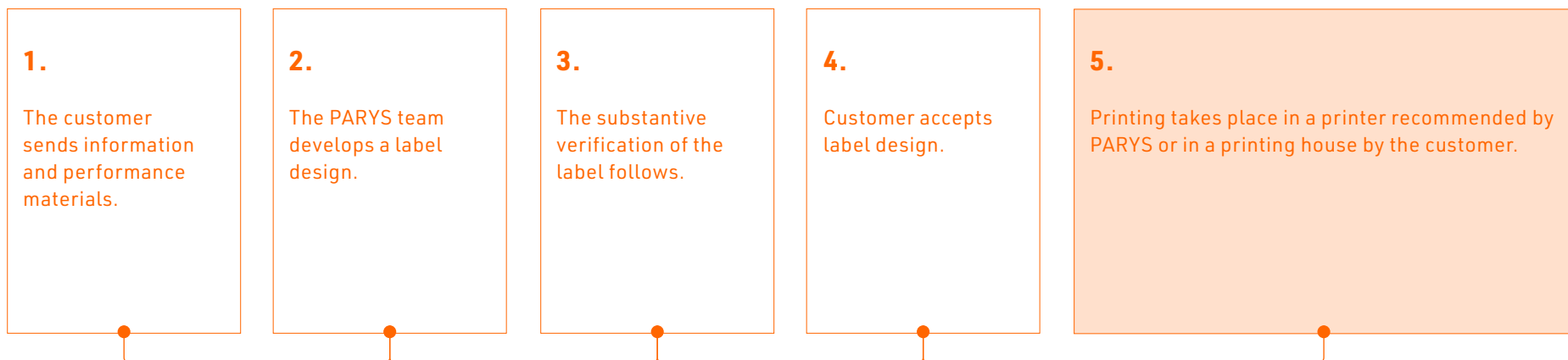
We can print a label prepared by an external design office. We are also able to support the brand and design and manufacture a new solution. Then our graphic designers will prepare the labels. They will only need the necessary guidelines and subsequent approval from you.



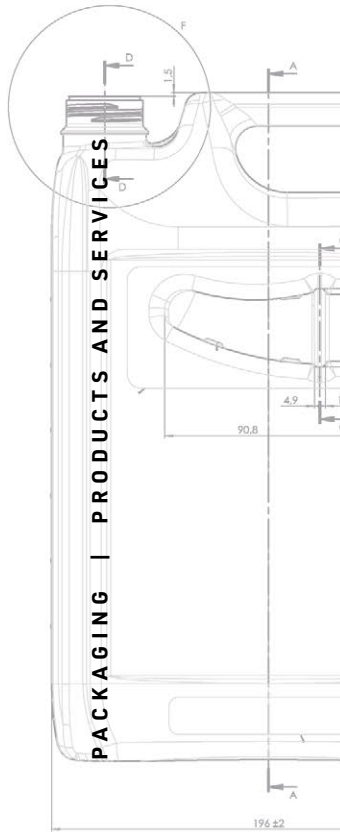
## Customer designed label



## The label designed by the PARYS graphic team







---

**PACKAGING AS NEEDED**

---

Are you looking for a solution that is not on offer?

**Please contact us!**

Thanks to the fact that we listen to the needs of our partners, we are able to prepare customized packaging.

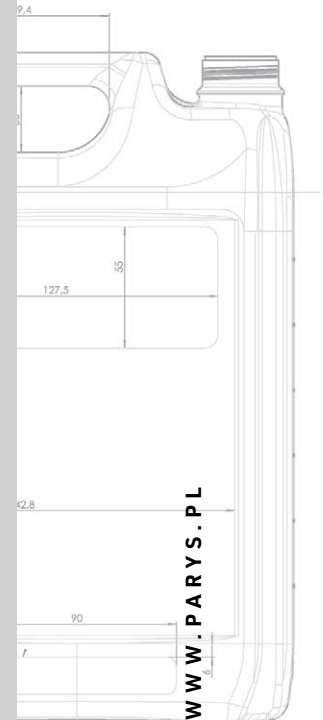
We also have a proven process that allows you to go from idea to finished project smoothly.

**We are at your disposal!**

tel.: +48 81 443 12 10

e-mail: sekretariat@parys.pl

# Special projects



# Packaging trusted by the best brands





## PPH „PARYS” Sp. z o.o.

### Office

20-328 Lublin, St. A. Walentynowicz 1

tel. +48 81 443 12 10

fax +48 81 443 12 55

e-mail: sekretariat@parys.pl

### Logistics and Sales Department

20-328 Lublin, St. A. Walentynowicz 14

tel. +48 81 443 12 10

fax +48 81 443 12 55

e-mail: sekretariat@parys.pl

### International Trade Department

Tel. +48 81 443 12 34

E-Mail: export@parys.pl

### Fluid Production Plant 1

20-209 Lublin, St. Konstruktorów 19

tel. +48 81 443 12 71

### Fluid Production Plant 2

20-277 Lublin, st. Vetterów 20

tel. +48 81 443 12 74

### Packaging Production Plant 1

20-325 Lublin ul. Józefa Franczaka

„Lalka” 14

- HALA B

### Packaging Production Plant 1

20-345 Lublin ul. Mełgiewska 18E

Park 7R

- HALA DC5

[www.parys.pl](http://www.parys.pl)